

**OFFICIAL AGENTS FOR THE SALE OF INDIAN
OFFICIAL PUBLICATIONS.**

In England.

Constable & Co., 10, Orange Street, Leicester Square, -W. C., London.
Grindlay & Co., 54, Parliament Street, S. W., London.
Henry S. King & Co., 65, Cornhill, E. C., London.
P. B. King & Son, 6 & 4, Great Smith Street, Westminster, S. W.,
London.
Kegan Paul, Trench, Trubner & Co., 68-74, Carter Lane, E. C.,
London.
R. Quaritch, 11, Hutton Street, New Bond Street, W., London.
T. Fisher Unwin, 1, Adelphi Terrace, London, -W. C.
W. Thacker & Co., 2, Creed Lane, London, E. C.
Luzac & Co., 46, Great Russell Street, London, W. C.
R. H. Blackwell, 50 & 51, Broad Street, Oxford.
Deighton Bell & Co., Cambridge.

On the Continent.

Friedländer & Sohn, 11, Carlstrasse, Berlin.
Otto Harrassowitz, Leipzig.
Karl W. Hiersemann, Leipzig.
Ernest Leroux, 28, Rue Bonaparte, Paris.
Marius Nijhoff, The Hague.

In India.

Higgubotham & Co., Madras.
V. Kalyanarama Iyer & Co., Madras.
P. N. Rama Iyer & Co., Madras.
Thacker Spink & Co., Calcutta.
W. Newman & Co., Calcutta.
S. K. Lahari & Co., Calcutta.
R. Caughey & Co., Calcutta.
Thacker & Co. (Ld.), Bombay.
& J. Cowbridge & Co., Bombay.
Superintendent Government Central Press, Bombay.
D. K. Paragorevala, Sons & Co., Bombay.
Sunder Pandurang, Bookbinder, etc., Bombay.
Gopal Narayan & Co., Bookbinder, etc., Bombay.
N. M. Tippar & Co., Bookbinder, etc., Bombay.
Mrs. Rameshwar Amalal Shetty, Bookbinder, etc., Bombay.
Panchanan & Co., Bookbinder, etc., Bombay.
M. S. Madhav, N. N. S. Press, Madras.

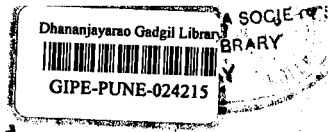
BOMBAY FAMINE RELIEF CODE, 1912.

(No IV.)

X. Add the following after the second sentence in paragraph 4 of Appendix

"If necessary jail labour may be employed for collecting and cutting grass and the Senior Conservator should arrange with the Inspector-General of Prisons for the employment of gangs of prisoners when the emergency arises."

(Government Resolution No. 5168, dated 30th May 1912.)



FAMINE RELIEF CODE.

BOMBAY PRESIDENCY.

1912.

SERVANTS OF INDIA SOCIETY'S
BRANCH LIBRARY
BOMBAY

TABLE OF CONTENTS.

PREVIOUS TO FAMINE.

	Page.	Sections of Code.
CHAPTER I.—Standing preparations against famine—		
(i) System of intelligence	1	1—8
(ii) Programmes of relief works	4	9—17
(iii) Reserves of establishment and tools... ..	7	18—20
II.—Preliminary measures of preparation and test when scarcity is imminent	8	21—34
RT II. DURING FAMINE.		
CHAPTER III.—Declaration of famine and commencement of relief ...	13	35—39
IV.—Powers and duties of supervising officers ...	14	40—50
V.—Organization of village inspection and relief ...	16	51—61
VI.—General rules applicable to all relief works—		
(i) Selection of works	20	63—65
(ii) Admission to works	21	66—71
(iii) Wages and allowances on relief works	23	72—82
(iv) Rest-day	25	83—85
(v) Drafting	26	86—87
VII.—Management of public works—		
(i) Organization	26	88—93
(ii) Admission and classification of applicants for relief.	28	94—95
(iii) Charges and gangs	29	96—104
(iv) Tasks	30	105—110
(v) Payment of wages	31	111—117
(vi) Dependants and kitchens on works	33	118—124
(vii) Accounts	35	125—136
VIII.—Management of village works	37	137—144
IX.—Gratuitous relief in villages—		
(i) Selection for admission to village relief	39	146—147
(ii) Distribution of village relief	40	148—160
X.—Poor-houses	47	161—170
XI.—Rains policy and closure of relief	48	171—177
XII.—Orphans	49	178—182
XIII.—Aboriginal hill and jungle tribes	51	183—190
XIV.—Relief to artisans	52	191—198
XV.—Police	54	199—205
XVI.—Medical	55	206—221
XVII.—Cattle and fodder	62	222—230
XVIII.—Miscellaneous	64	231—242

PART III. BEFORE FAMINE AND DURING ITS CONTINUANCE.

	Page.	Sections of Code.
CHAPTER XIX.—Accounts—		
<i>A.—Civil.</i>		
(i) Provision of funds	69	243—253
(ii) Method of drawing and accounting for famine charges	73	254—256
(iii) Control and audit	74	259—261
<i>B.—Public Works.</i>		
(iv) Provision of funds	77	270—273
(v) Method of accounting for famine charges	78	274—276
(vi) Control and audit	78	277—293
<i>C.—General.</i>		
(vii) Classification of expenditure	83	294—296
(viii) Miscellaneous	87	299—319
APPENDICES	96—142	
FORMS	143—225	
INDEX	i—xix	

Correction Slip to the Bombay Famine Relief Code, 1912.

(No. XVI.)

Part I.

Omit section 17.

Appendix II.

Omit rule 6.

Appendix IX.

Omit item 2 in paragraph (a) of the heading A.

Form 8.

- (1) For the reference "see sections 16 and 17" given in the heading *substi-*
"see section 16."
- (2) Omit note (5) given below the form.

[Vide Government Order, Revenue Department, No. 8336, dated 8th June 1918.]

PART I.

PREVIOUS TO FAMINE.

CHAPTER I.—STANDING PREPARATIONS AGAINST FAMINE.

Standing
preparations
against
famine.

1. The preparations against famine which it is necessary to maintain from year to year are—

- (i) an efficient system of intelligence,
- (ii) an effective programme of relief works,
- (iii) reserves of establishment and tools.

(i) *System of Intelligence.*

2. Agricultural and vital statistics are prepared by the village and taluka officers and are submitted through the Collector of the district to the Director of Agriculture and the Sanitary Commissioner, respectively. Detailed rules for the preparation of these statistics have been laid down in the Manual of Revenue Accounts and elsewhere; it will suffice here to summarise the duties of the several officers.

System of intelligence.

3. The village accountant, besides making the prescribed inspection of lands and crops and filling in the statistical returns, is required to at once report to the Circle Inspector the existence or prospect of

Duties of village accountant.

**Standing
preparations
against
famine**

any distress or failure of crops, fodder or water-supply, the prevalence of cattle disease, any unusual migration from or into his village and other matters affecting the state of the people of his village.

**Duties of Circle
Inspector.**

4. The Circle Inspector is required—

- (a) to inspect every village in his circle repeatedly during the year and make himself acquainted with the state of the crops and condition of the people;
- (b) to watch the season, so as to detect very early signs of coming distress and to be ready to report, whenever called on, the condition of his circle;
- (c) if unfavourable information of the season is received, to visit at once the village concerned and report the result of personal observation and inquiry to the Mámíatdár;
- (d) to submit to the Mámíatdár a fortnightly diary noting, among other things, the condition of the chief crops and the estimate of outturn up to date, and the condition of cattle and public health;
- (e) to check the returns of agricultural and vital statistics prepared by the village accountant;
- (f) to collate the statistics received from the village accountants and prepare returns for the whole táluka.

**Duties of Mámíatdár
or Maháikari.**

5. The Mámíatdár or Maháikari is required—

- (a) to exercise a general supervision over the work of the village accountants and Circle Inspectors;
- (b) to submit the fortnightly diaries of the Circle Inspectors with his remarks to the Sub-divisional Officer;
- (c) to submit monthly returns of births and deaths for the táluka to the Collector and to the Sanitary Commissioner;
- (d) to deal with the reports received from the village accountants and Circle Inspectors, and on the receipt of any unfavourable reports to at once proceed to the tract represented as affected and communicate the result of his observation to the Sub-divisional Officer;
- (e) to submit weekly returns of the rainfall to the Sub-divisional Officer and the Collector, with remarks as to the nature of the season and the state of the crops, noting specially whether the rain has promoted or retarded any agricultural operation, and reporting any adverse circumstance or sign of distress which may be indicated in the diaries of the Circle Inspectors.

**Duties of Sub-divisional
Officer.**

6. The Sub-divisional Officer is required—

- (a) to test the accuracy of the statistics compiled in his sub-division;
- (b) to examine the fortnightly diaries of the Circle Inspectors and generally to exercise a close supervision over their work;
- (c) to move actively about his charge during the touring season and keep himself informed of the condition and prospects of the sub-division;

- (d) on receipt of any report that a serious failure of crops is imminent or probable in any portion of his charge, to proceed forthwith to the spot and report to the Collector the results of his observations.

7. The Collector of the district is required—

Duties of Collector.

- (a) to keep himself at all times informed of the agricultural condition of every part of his district and to see that the rules for the collection of agricultural and vital statistics are complied with;
- (b) to submit direct to Government by telegram a weekly rainfall and season report for his district, giving information as to the amount of rainfall, the progress of agricultural operations, the condition of the standing crops, any marked fluctuation in prices of food-grains and fodder, any serious damage caused to crops by insects, floods or other natural calamities, the condition of agricultural stock and the supply of water and fodder;
- (c) when the quantities of food-grains purchasable per rupee are 20 per cent. less than the normal prices given in the schedule referred to in section 8 (h), to exercise special watchfulness, and when they show a fall of 40 per cent. to submit to the Commissioner, for the information of Government, an immediate explanation of the rise in prices with a brief report as to its effect on the condition of the people and the state of his district;
- (d) to make proposals for the relief of distress affecting men and cattle when, in his opinion, the necessity arises: in framing such proposals care must be taken to make timely recommendations for the suspension or remission of land revenue.

8. The Director of Agriculture is required—

Duties of Director of
Agriculture.

- (a) to supervise generally the system of collecting information in normal times regarding prices, rainfall, state of the crops and agricultural stock and other circumstances from which the approach of scarcity and agricultural distress can be detected; it is the duty of the Director, should he detect imperfections in the system, to submit suggestions for its improvement to Government;
- (b) to ascertain by periodical inspection that the system is, in normal times, being efficiently and properly worked in each district, and to report any defects in its working to the Collector of the district;
- (c) to prepare for publication in the *Bombay Government Gazette* a monthly summary of the rainfall and season reports referred to in section 7 (b);
- (d) to prepare for publication in the *Bombay Government Gazette* a fortnightly return of retail prices of food-grains;
- (e) to compile and collate in his annual crop and season report the agricultural statistics derived from the returns received from the local revenue officers under the above system;

- (f) to maintain a statement up-to-date of the agricultural circumstances of each tract of the Presidency, prepared from the information periodically collected in his own office as well as from settlement reports and other sources and of the measures required to improve the agricultural efficiency thereof ;
- (g) to maintain up to date, revising and re-editing it after each decennial census, the Statistical Atlas of the Presidency, showing the areas which are liable to famine, the causes which make them so liable, their accessibility or otherwise for relief purposes, the economic condition of the population of such areas, and a rough forecast of the maximum number of persons within each such area likely to require employment on relief works in time of famine ;
- (h) to prepare for inclusion in the Statistical Atlas and to revise quinquennially a schedule showing—
 - (i) the normal retail shop rates in even pounds per rupee, for each quarter of the year, based on averages for each quarter of ten years, excluding years of abnormal scarcity or plenty, of the principal food-grains of the district at two representative marts of each district ;
 - (ii) quantities of grain purchasable per rupee about 20 per cent. less than normal, which are to be regarded as warning rates ;
 - (iii) quantities purchasable per rupee about 40 per cent. less than normal, which are to be regarded as scarcity rates and render a report necessary under section 7 (c).

(ii) *Programmes of Relief Works.*

Programmes of relief works.

9. The maintenance of programmes of relief works which can be used at a moment's notice is absolutely indispensable as a preparation against famine ; all works entered in the programmes must be located and measured up in advance ; and complete estimates of the probable cost and of the number of labourers which each work is able to employ must be ready.

Classification of works.

10. Relief works shall be classified as follows :—

I—*Public works*—

- (a) *Large, i.e.,* employing one or more charges of 5,000 workers,
- (b) *Small, i.e.,* employing less than a full charge of 5,000 workers.

II.—*Village works*—

- (c) *Civil, i.e.,* managed by the Collector.
- (d) *Private, aided or unaided, i.e.,* constructed entirely by private individuals or committees, and called *aided* or *unaided* according as the works are constructed with the help of Government grants, whether recoverable or not, or altogether from private funds.

Separate programmes shall be prepared for I and II.

Standing preparations against famine.

Selection of works for programmes.

11. (a) Programmes must be adapted to local needs and opportunities. In framing them, projects which will add to the water-supply of the country should generally be preferred to others; provided that provision should not be made for constructing tanks which are liable to dry up in the hot weather except on sites which are at least a quarter of a mile distant from the nearest village. Special rules relating to the inclusion in relief programmes of railway projects and other works requiring the sanction of the Government of India are given in Appendix I.

(b) In localities in which a sufficient number of village works can be found and in which the village organization and other circumstances are such that adequate supervision can be made available and especially in hilly tracts such works should be regarded as the backbone of the relief system, and public works should be opened only as auxiliary to the system of village works, in case the latter breaks down, or as supplementary to it if it proves insufficient, or for the relief of wanderers.

(c) In other localities the system will be one of public works, and village works will be opened, so far as possible, as auxiliary or supplementary to the public works.

12. Works likely to be useful to individual proprietors or cultivators of land or to a limited number of such persons should be entered in the programmes in preference to works of doubtful or of no public utility.

Private works to be preferred to works of no public utility.

13. (a) The programmes shall make provision for the employment for six months on public and village works within each taluka or within each sub-division of a district of a sufficient proportion of the population of that taluka or sub-division, and for such employment within the district of a proportion of the population of the district, which, except in the districts mentioned in sub-section (b), shall be not less than 20 per cent.

Numbers to be provided for.

(b) Until further orders no programmes are required for Kánara, Ratnágiri and Kolába or for any district in Sind except Thar and Párkar. In Belgaum, Dhárwár and Surat the programmes should provide for 10 per cent. of the population of the district and in Thána and Thar and Párkar for 5 per cent.

14. The programme of *public works* shall be prepared yearly in Form 1 by the Executive Engineer in consultation with the Collector and submitted, after countersignature by the Collector, to the Superintending Engineer not later than 15th January. The following directions shall be attended to in preparing it:—

Programmes of public works.

- (a) all current projects of the Public Works Department suitable for relief works shall be included in the programme;
- (b) the programme shall show clearly for each work whether its cost is debitable to imperial, provincial or local fund Revenue; whether plans and estimates have been sanctioned and the work is in progress, or plans and estimates have been sanctioned but the work is not yet commenced, or plans and estimates have been prepared but are not yet sanctioned, or plans and estimates have not yet been prepared; whether the work is or is not ready to

be opened at once and is a useful work, or is not useful except as a means of providing famine labour; the estimated cost at ordinary rates of the whole work and of the portion available for relief, and the number of units who can be employed;

- (c) in the case of works for which plans and estimates have not been prepared, the approximate figures shall be entered and steps shall be taken as early as possible to survey the works, prepare plans and estimates, obtain sanction to them and enter in the programme the correct figures.

The Superintending Engineer shall scrutinize the district programmes and forward them, with such amendments and additions as he may think necessary, to the Commissioner not later than 1st March, who shall submit them with his remarks to Government in the Public Works Department not later than 15th April.

Programmes of
village works.

15. The programme of *village works* shall be prepared yearly in Form 2 by the Collector in consultation with the Executive Engineer and submitted to the Superintending Engineer not later than 15th January. The following directions shall be attended to in preparing it:—

- (a) the programme shall show separately—
- (i) civil works—the cost of which will be entirely debited to the State, though they may, when practicable, be managed by non-official agency under official control,
 - (ii) aided private works—the cost of which will be shared between the State and private individuals, and the management of which will be left as a rule to the latter, under official control, and
 - (iii) unaided private works—the cost of which will be borne by, and the management of which will be entirely left to, private individuals.

Villages may conveniently be grouped together, a certain number of works being laid out for each group;

- (b) every village work shall be surveyed, its cost estimated at ordinary rates and the number of units, for which it will give employment, calculated; if the survey and estimate of any work have not been made at the time of submitting the programme, immediate steps shall be taken to have them made;
- (c) if professional assistance is required for the surveys and estimates, the Superintending Engineer shall depute subordinates of, or to be engaged by, the Public Works Department for the purpose to work under the orders of the Collector;
- (d) special care shall be taken to ascertain and record the names of any local residents competent to manage village works, as well as of persons ready to share or bear financial responsibility for them.

The Superintending Engineer shall forward the programmes to the Commissioner not later than 1st March, who shall submit them to Government in the Public Works Department with his remarks not later than 15th April.

16. On receipt of the programmes in Forms 1 and 2, the Commissioner shall examine them in order to see whether the two programmes taken together make adequate provision for each taluka or sub-division and for each district, and shall submit them to Government with an abstract in Form 3.

Examination of programmes by Commissioners.

17. Statements in Form 3 will be submitted annually to the Government of India by 1st June.

Report to Government of India.

(iii) *Reserves of Establishment and Tools.*

18. A record shall be maintained by each Collector of persons in his district whose services would be available in case of famine as Charge Officers, Circle Inspectors, karkuns on works, etc. The notes should show separately—

Record to be maintained by Collector of number of persons suitable for employment on famine duties.

- (a) the number of Government employees available from each department, e.g., Revenue, Judicial, Educational, etc. ;
- (b) a nominal list of others, whether pensioners, candidates for Government employ or private persons, whose services could be procured.

The (b) class list should be prepared by the Collector and the Executive Engineer in consultation so as to avoid counting the same man twice. An extract from the list, containing only the number of persons available, shall be forwarded to the Commissioner every year with the programme of village works (section 15). Professional training is not a necessary qualification, as experience has shown that University graduates, schoolmasters and educated men of other classes find no difficulty in learning the work and make efficient famine officers in the several grades.

19. The Executive Engineer shall maintain a similar record of persons, official and non-official, whose services would be available for employment as maistris or in other professional capacity under the Public Works Department, and shall submit extracts of the list every year with his programmes of public works (section 14).

Similar record to be maintained by Executive Engineer.

20. Reserves of tools shall always be maintained at such centres in the Presidency as Government may direct, the total number for the Presidency being not less than the following :—

Reserve of tools.

Pavras	120,000
Picks	100,000
Stone breaking hammers	80,000

The Superintending Engineers shall submit yearly inspection reports on these reserves to Government in the Public Works Department by 15th April.

CHAPTER II.—PRELIMINARY MEASURES OF PREPARATION
AND TEST WHEN SCARCITY IS IMMINENT.

Signs of approaching
danger.

21. Apart from the failure in the rainfall and the movements of prices, the following premonitory symptoms are generally observed :—the contraction of private charity indicated by the wandering of paupers, the contraction of credit, feverish activity in the grain trade, restlessness shown in the increase of crime, unusual movements of flocks and herds in search of pasturage and unusual wandering of people.

Measures to face the
danger.

22. On the first warnings of scarcity the following measures shall be taken :—

- (a) special attention shall be paid to the inspection reports of the village and taluka officers, the Sub-divisional Officer verifying them by personal inspection on the spot, as far as possible;
- (b) the Director of Agriculture shall visit the affected tracts and closely observe their condition and shall supply all needful information from time to time to the Collectors, copies of his reports being forwarded to the Commissioners, making the fullest use of the aid of his Deputy Directors and Superintendents of Land Records and Registration and of District and Circle Inspectors;
- (c) the District and Railway Superintendents of Police shall keep Collectors informed of symptoms of approaching distress and send special reports of any increase of crime attributable to rise in prices or scarcity of food;
- (d) the Railway Administrations shall keep the Collectors informed of unusual movements of food-grains by rail;
- (e) the Collector shall, in consultation with the Executive Engineer, revise the programmes of public and village works, select the works which should be opened first, make arrangements for the tools and plant of all kinds required for the selected works to be held in readiness for immediate use, select the sites for opening camps on such works and make arrangements for strengthening the staff so that it may be ready when required;
- (f) the Collector shall give timely notice to the printing agency that a considerable number of forms will be required;
- (g) the Collector shall inform the Sanitary Commissioner of probable requirements of medical officers;
- (h) the Collector shall organize in advance the village inspection arrangements (chapter V) and see that the village officers and Circle Inspectors are instructed in their famine duties;
- (i) the Collector shall organize non-official relief agency and private charity; in each taluka a central committee shall be appointed, whose duty it shall be to advise generally, to stimulate private

charity, collect subscriptions in cash or grain, and later on, if necessary, to manage village works and supervise and assist in the distribution of gratuitous relief: in each town or large village a sub-committee shall be formed, or if there is a municipality, the municipal committee shall be requested to undertake the duty ;

- (j) liberal advances of *takāvi* shall be given at an early stage ;
- (k) inquiries as to the suspension of revenue shall be begun ;
- (l) the Collector shall submit to Government a report containing information on the action taken, and on all the points mentioned in rule 7 of Appendix II ;
- (m) the Local Government shall submit to the Government of India the report required by Appendix II, rules 7 and 8, and shall review the financial position and make such reappropriations for famine relief as may be possible by reduction of current expenditure.

23. If the Collector finds that distress deepens, he shall—

Opening of test work
and poor-houses.

- (a) open test works where necessary, reporting his action by telegram to the Commissioner ;
- (b) arrange for the gratuitous relief of persons of the classes described in section 146 in emergent cases in which the postponement of the grant of such relief until famine has been declared under section 35 and the regular distribution of village gratuitous relief has been commenced under section 38 (c) may in his judgment, owing to the contraction or cessation of private charity, lead to privation which endangers life ;
- (c) take the measures described in sections 158 and 159 in those villages in which he considers them necessary in order to secure the proper performance of village duties ;
- (d) open poor-houses where necessary for the relief of destitute wanderers, reporting his action by telegram to the Commissioner ;
- (e) instruct the District Superintendent of Police to issue orders to the police to carry out, so far as they are applicable, the measures prescribed in section 203 in respect of such wanderers ;
- (f) send to the Accountant General not later than the 1st January a rough estimate of the number of persons who will probably require relief on works of all kinds in the district and for what period they will require relief.

- 24. Test works shall generally be managed by the Executive Engineer under the supervision of the Collector. In cases, however, in which it is intended to convert test works into village works, if regular relief works become necessary, the Collector shall have discretion to employ the most suitable agency, whether Civil or Public Works, for the

Management of test
works.

management of such works on condition that he is satisfied that the establishment to be employed is quite competent to apply the tests properly. The following instructions should be attended to in the management of test works :—

- (a) in addition to provincial works, ordinary works in progress under Local Boards or required by them may be utilized or opened as test works ;
- (b) the conditions of labour on test works shall be strict, their primary object being not to relieve famine but to test the presence of it ;
- (c) payments shall be strictly by results with a maximum equal to the Code wage (section 73) ; there shall be no minimum wage, no rest-day wage and no allowance to dependants ; in no case shall the workers be permitted to earn beyond the Code wage ;
- (d) in the case of earth-work the task shall be, on public works, somewhat above that prescribed by section 105 and on village works the full ordinary task prescribed by section 139 ; for metal breaking, the task on both classes of works shall be that prescribed by section 105 ;
- (e) complete muster-rolls shall be maintained ;
- (f) if an excessive number of women and children flock to the works from neighbouring villages, the Collector may, as a temporary measure, give the women and children cooked food in lieu of wages ;
- (g) weekly returns in Form 4 shall be submitted by the Collector direct to Government, a copy being sent at the same time to the Commissioner.

Collector's report to
Commissioner.

25. When the Collector decides to open test works and poor-houses, he shall at once submit to the Commissioner a report accompanied by statement in Form 5 giving full information on the points mentioned in section 26 and applying for such additional staff as he is likely to require for relief operations. If subsequently the test works begin to attract workers in considerable numbers, he shall report the fact to the Commissioner by telegram.

Commissioner's
report to Govern-
ment.

26. When the Commissioner finds reason to believe from the reports submitted to him that a famine is imminent in any part of his division, he shall report the fact to Government, appending a statement in Form 5 and specially noting—

- (a) the grounds of his belief ;
- (b) the estimated outturn of the principal crops ;
- (c) the extent of grain stocks and fodder supply, with their normal and prevailing prices, expressed in pounds and chhataks per rupee ;
- (d) the state of trade and the sources from which food supplies are likely to come in ;

(No. II.)

**CORRECTION SLIP TO THE
BOMBAY FAMINE RELIEF CODE, 1912.**

Add the following to section 33. of the Famine Relief Code :—

Detailed instructions regarding arrangements for the collection, carriage and supply of grass are given in Appendix X.

(Government Resolution No. 11161, dated 5th December 1912.)

- (e) the condition of the people ;
- (f) the preparations already made ;
- (g) the proposed measures of relief ;
- (h) the additional establishment likely to be required ;
- (i) the extent to which suspensions or remissions of land revenue and takávi advances may be necessary ;
- (j) any local sources from which the estimated expenditure on relief can be met.

27. The Local Government is empowered to sanction the employment of such additional establishment applied for as shall appear necessary. All orders passed under this section which ordinarily require the sanction of the Government of India or the Secretary of State, shall be reported at once to the Government of India for confirmation. Should any additional grant of funds applied for be delayed from any cause by the Government of India, or should the Local Government be convinced that immediate further expenditure is essential for the preservation of life or the prevention of suffering dangerous to life, they may make such further assignments of funds as may be requisite. All such grants of funds as would ordinarily require the sanction of the Government of India or the Secretary of State shall be reported at once for confirmation.

Powers of Local Government.

28. If from what is indicated by the test works or other circumstances the Collector considers that distress is imminent, relief circles shall be organized as explained in section 54, the necessary inspections made and preliminary registers drawn up of persons eligible for gratuitous relief in their villages, as explained in section 147.

Organization of village inspection and gratuitous relief.

29. If there is a prospect of scarcity of fodder or drinking water, early steps shall be taken to meet it and to encourage private enterprise to import fodder and develop the water-supply. Instructions for putting up dams in streams to prevent waste of water in years of deficient rainfall are given in Appendix VIII.

Fodder and drinking water.

30. The Sanitary Commissioner shall, on receipt of information from Government that famine is imminent, prepare and forward to the Surgeon-General an estimate of the additional medical staff likely to be required.

Medical establishment.

31. Similarly the District and Railway Superintendents of Police shall apply for sanction to enlist such extra force as is likely to be required for duty at relief works and poor-houses, for the escort of treasure and for extra duty on railways.

Police establishment.

32. The Commissioner shall arrange for the early communication to the agents or managers of railways likely to be concerned of impending scarcity or famine in any district.

Arrangements for railway transport of food-grains and fodder.

33. When it is known that famine is inevitable, or that any unusual stress for the supply of food-grains or fodder is likely to be thrown on any railway administration, the Commissioner shall convene a meeting of the civil and railway officers concerned to discuss its probable nature and

Meeting of civil and railway officers to consider demands on railways.

extent and the measures by which any demands likely to be made on the railway can best be met. Attention shall at such meetings be specially directed to—

- (a) the localities in which the scarcity is likely to occur;
- (b) the date from which an unusual demand for import is likely to arise;
- (c) the nature of the demand, whether for food-grains or fodder and
- (d) the probable sources from which supplies will be obtained.

In regard to (d) the leading merchants and traders shall be consulted.

The Government of India to be informed of the approach of famine.

34. As soon as the approach of famine becomes definite, the Local Government shall communicate to the Government of India the available information concerning it,—stating the area which is likely to be affected, the economic condition of that area in ordinary times, the numbers and classes of persons likely to require relief, the crops affected and the extent to which they may be expected to fail, the contingencies which the probable duration of distress depends, the position of the affected area as to local trade, food-supply and communications, the arrangements proposed for famine relief administration and relief works, the extent to which suspension of collections of the land revenue may be necessary, the possible requirement of the services of officers from other provinces and the financial position of the Local Government.

**CORRECTION SLIP TO THE
BOMBAY FAMINE RELIEF CODE, 1912.**

APPENDIX X.

(See section 33.)

**App.
Arranger
for colle
carria
and sup
gras**

**Detailed Instructions regarding arrangements for the collection,
carriage and supply of grass.**

As soon as a fodder famine appears to be imminent, the provisions of section 33 of the Famine Relief Code should be complied with. An essential point to be discussed at the meeting ordered therein to be convened should be the special railway arrangements, *e. g.*, the provision of temporary sidings for loading grass, etc., which may be called for by the special circumstances of the time.

2. An officer on special duty, preferably the Senior Conservator, should be appointed at the earliest opportunity to direct and superintend all arrangements connected with the purchase, collection, transport and delivery of fodder to the affected areas. His first duty should be to ascertain (a) where and to what extent private stocks of fodder are available for purchase, (b) the amount of grass which is available in forest and revenue waste lands in the Presidency for cutting and baling and (c) what supplies can be obtained to supplement these from similar areas outside the Presidency, if the local supply is insufficient.

3. Simultaneously with these inquiries the officer on special duty should ascertain from the Collector of each affected district the probable amount of fodder which will have to be imported; and the places at which the imported grass will have to be laid down.

4. When a fodder famine is threatened, all sales of grass from forests and revenue waste lands should be deferred or postponed until the officer on special duty has determined whether he will require the grass in particular areas or not. The departmental cutting of grass in the areas selected for the supply of fodder should commence as early as possible and in view of the experience gained of the extreme difficulty of obtaining labour for cutting grass, the revenue officers should employ their influence fully in order to induce the people to go on the grass-cutting work in sufficient numbers. Steam-baling should be resorted to in preference to hand-baling wherever the quantity of grass, which can be collected in a pressing centre, is sufficient to justify it. The Railway should give preference to pressed over unpressed fodder in all cases where the latter may be offered for despatch.

5. To carry on until the new grass crop is available, the officer on special duty should proceed at once to purchase grass from old stocks in the most convenient places, even though by a change in the situation the grass thus bought should subsequently have to be re-sold at a loss. The maximum amount of grass to be purchased in this manner should be limited to fifty lakhs of pounds for each affected district. This grass will be available for removal by the Railways as soon as it is indented for by Collectors or Political Agents. It should be noted that the Railway authorities are particularly anxious that the transport of grass should commence at the earliest possible date in order to avoid congestion of traffic.

6. In a severe famine the total quantity of the grass that can be collected by Government agency will generally fall short of the amount needed for the affected districts, and it will be the duty of the officer on special duty to consider the best way of supplying the deficiency by purchase through contractors. In order to effect this economically and to prevent, by simultaneous purchases in different places, the raising of prices by dealers, the officer on special duty should be given temporarily the services of a sufficient number of responsible officers whom he will depute to visit the localities in which he has reason to

X. 142(b)

ments
action,
age
ply of
ss.

believe grass is procurable. These officers will enter into contracts for the supply to Government of a fixed quantity of grass on the best terms obtainable and the contracts will be arranged in such manner as to enable each district to be supplied from the purchasing centre which is nearest to it.

7. When the purchases have been effected, the officer on special duty will inform the Railway authorities of the quantities of grass which will require to be carried from each purchasing centre situated on their respective system, the stations of delivery and the date from which operations may be expected to commence.

8. When a charitable relief society has been started—part of whose operations are to be directed towards the distribution of fodder—the officer on special duty should place himself in communication with the officers of such society and ascertain the localities in which they propose to purchase grass, the funds at their disposal and approximately the quantities which they hope to purchase. This will enable the officer on special duty to arrange that unnecessary competition between the agents of the charitable relief society and his own agents (*i. e.*, the officers mentioned in paragraph 6 above) shall be avoided. The officer on special duty and his agents will generally be in a position to render assistance to the society in the despatch of the society's grass to the affected areas to which they wish it to be consigned; and the officer on special duty will communicate to the authorities of the Railways concerned the fact that the fodder which is to be despatched is being sent with the knowledge and approval of Government and that wagons may be supplied.

9. In times of stress such as famine, departmental regulations such as the customs restrictions imposed at Virangám, which are likely to hamper the free movement of railway wagons, should be relaxed as far as may be practicable.

(Government Resolution No. 11181, dated 5th December 1912.)

Correction slips to the Bombay Famine Relief Code, 1912.

(No. IX).

(a) In the heading of Chapter III, Part II, insert the words "scarcity before the word "famine".

(b) For section 35 of the Code substitute the following:—

35. It shall be for Government to decide whether a district has passed the stage of observation and test, and to declare when scarcity or famine conditions exist in it.

✓ When distress is not so severe as to necessitate the change of test works into relief works but some relief is required in the form of local fund or other aided works and gratuitous relief, or of gratuitous relief alone on a considerable scale, Government may declare the existence of scarcity. The administration of relief shall thereafter be regulated strictly in accordance with the provisions contained in Part II of the Code.

In cases in which gratuitous relief on a small scale is likely to be necessary for some time, and a formal declaration of scarcity or famine appears inappropriate, relief shall be granted under section 23 (b) of the Code.

(c) Omit the Note to section 35.

(d) In line 2 of section 231 insert the words "scarcity or" before the word "famine".

(Vide Government Order No. 10534, dated 4th October 1915.)

H. 1168

PART II.
-DURING FAMINE.

CHAPTER III.—DECLARATION OF ^{Security or} FAMINE AND COMMENCEMENT
OF RELIEF.

Chap. III.
Declaration of
famine and
commence-
ment of relief.

35. It shall be for Government to decide whether a district has passed the stage of observation and test, and to declare when famine conditions exist in it.

Declaration of
famine.

In cases in which Government is satisfied that it is necessary to give gratuitous relief on a considerable scale, though it is not necessary to open regular relief works, a formal declaration of the existence of famine shall be made and the administration of relief shall thereafter be regulated strictly in accordance with the provisions contained in Part II of the Code. In cases in which gratuitous relief on a small scale is likely to be necessary for some time, and a formal declaration of famine appears inappropriate, relief shall be granted under section 23 (b) of the Code.

NOTE.—For areas in which gratuitous relief is given to over 1,000 persons for more than two months without the formal declaration of famine, full reports should be submitted in the forms prescribed in the Code for submission after famine has been declared.

36. Whenever a serious famine appears imminent or extensive relief measures are undertaken, a Famine Commissioner may be appointed to the chief executive control of famine administration throughout the Presidency.

Appointment of a
Famine Commis-
sioner.

37. Throughout Parts II and III of this Code the word "Commissioner" shall, unless a contrary intention appears evident from the context, be taken to mean the Divisional Commissioner.

Meaning of the
word Commissioner.

38. When famine conditions have been declared to exist in a district, immediate steps shall be taken for the commencement of relief operations. The first steps shall ordinarily be—

Measures to be
adopted on the
declaration of famine.

- (a) to convert test works into relief works by the modification of tasks and the addition of allowances to dependants on public works;
- (b) to open new relief works where required;
- (c) to commence the distribution of village gratuitous relief.

The Collector shall have power to take these steps, reporting his action by telegram to the Commissioner.

**Declaration of
famine and
commence-
ment of relief.**

**Administration and
selection for
gratuitous relief.**

39. For the purpose of the distribution of gratuitous relief the system of village inspection shall at once be developed in the manner described in section 54. Care shall be taken to see that all persons eligible under section 143 are brought on the gratuitous relief registers at an early stage. The registers shall be very carefully checked and the attention of supervising officers shall be directed to the necessity for training Circle Inspectors at this stage in the correct practice of selection for, and distribution of, gratuitous relief.

**Powers and
duties of super-
vising officers.**

CHAPTER IV.—POWERS AND DUTIES OF SUPERVISING OFFICERS.

**Famine Commis-
sioner.**

40. The Famine Commissioner shall direct, and exercise complete control over, all branches of famine relief. He shall constantly move about supervising operations, giving advice and instructions on the spot and communicating freely by telegram and letter with Divisional Commissioners, Collectors and other superior officers with the object of securing promptitude in action, uniformity of procedure, the reduction of correspondence by frequent personal conferences and by the use of the telegraph, and the speedy removal of any misunderstanding of orders. He shall keep himself thoroughly informed of the whole course of events, shall report to Government all orders issued by him relating to expenditure and other important matters, shall submit to Government such reports and returns as Government may prescribe and shall carry out the orders of Government.

**Personal Assistant
to the Commissioner.**

41. Each Commissioner of a division shall, in his own division, have the chief executive control of famine administration in addition to his ordinary duties, a Personal Assistant being appointed, if necessary, to assist him in the ordinary duties of administration.

Collector.

42. The Collector shall be the responsible head and director of famine operations within his own district, subject to the general control of the Commissioner. He shall have absolute authority in all matters relating to the employment and wages of labourers, the fixing of dates for the opening and closing of works, variations from the standard tasks, the distribution of gratuitous relief, and generally in all matters affecting relief which are not exclusively professional. He shall keep the Sanitary Commissioner advised in advance of the probable requirements of the district in respect of medical officers. Officers of all departments employed on famine duty within the limits of his district shall obey his orders on all points not exclusively professional. In any case in which the Collector's authority is questioned by an officer of the Public Works or other department, the Collector's orders shall be obeyed pending a reference which may be made to the Commissioner.

15 Chap. IV.

Powers and duties of supervising officers.

Personal Assistant to the Collector.

43. In order that the Collector may move actively about his district, a Personal Assistant may be appointed to carry on the routine work of the office, to conduct the ordinary correspondence and generally to perform such other duties as may be assigned to him by the Collector.

44. The first duty of all officers of the Public Works Department shall be to realise—

Public Works Department officers.

- (a) that for a time new duties are required of them and that the system on which works are conducted in ordinary years must be modified or even abandoned in favour of that prescribed in this Code;
- (b) that whereas ordinarily the primary object is to get work done as cheaply and as effectually as possible, the main object of famine relief works is to provide a bare subsistence for the needy, while exacting a suitable task from those able to work;
- (c) that it is essential that hearty and friendly co-operation should exist between the Public Works and Civil staffs.

45. The Superintending Engineer shall exercise general supervision over the operations of all Public Works Department officers in his circle, and shall be responsible for the proper conduct of all public works in accordance with the provisions of this Code and of the Public Works Department Code. He shall, by personal communication and otherwise, keep himself in constant touch with the Commissioner and Collectors on matters not of an exclusively professional nature. His attention shall be specially directed to—

Superintending Engineer.

- (a) the passing of the necessary plans and estimates for all relief works and the preparation of fresh schemes to take the place of those commenced, completed or eliminated from the famine programme;
- (b) the selection of the most suitable works for famine labour;
- (c) the allotment of funds, as required, for public works;
- (d) the entertainment and distribution to the best advantage of such additional engineering staff as may be required in his circle;
- (e) the requirements of the Executive Engineers in respect of tools and plant;
- (f) the careful scrutiny of the weekly district progress returns (Form 21) with special reference to the amount of work done and the incidence of cost per unit relieved.

46. The Executive Engineer shall, in all matters which are not exclusively professional, be subject to the control of the Collector. He shall manage all public works in the district and be responsible for their efficiency. All officers on public works, including the Charge Officer and medical officer, shall be subordinate to the Executive Engineer.

Executive Engineer.

47. In order that the Executive Engineer may move actively about his district, a Personal Assistant may be appointed to carry on the routine work of the office, to conduct the ordinary correspondence, to assist in the audit of account and generally to perform such other duties as may be assigned to him by the Executive Engineer.

Personal Assistant to the Executive Engineer.

Chaps. IV-V. 16

Powers and duties of supervising officers.

Sub-divisional Officer.

48. Subject to the general control of the Collector, the Sub-divisional Officer shall organise and administer the different kinds of relief measures, excepting public works, in the talukas under his charge. He shall visit every village in his charge as frequently as possible to see that the provisions of the Code are being carried out by the taluka and circle officers, that relief is being efficiently and economically administered, and that provision for the future is being duly made. He shall pay special attention to village works and the distribution of gratuitous relief in the villages and in kitchens and poor-houses.

Inspection of public works.

49. The Sub-divisional Officers, and such other officers as the Collector may expressly empower, shall regularly inspect the public works within their respective charges, and submit inspection reports in Form 16 to the Collector through the Executive Engineer and shall also record their remarks in an inspection book which shall be kept on each work by the Charge Officer. To meet abuses of a serious and urgent character, they shall issue orders direct to the Charge Officer, recording the orders in the inspection book. Copies of such orders shall be forwarded at once by the Charge Officer to the Executive Engineer and to the Collector.

Inspection of village relief.

50. The duties of officers appointed to supervise village relief are set forth in chapter V.

Organization of village inspection and relief.

CHAPTER V.—ORGANIZATION OF VILLAGE INSPECTION AND RELIEF.

General.

51. The objects of village inspection are twofold—

- (a) to ascertain by personal inquiry the real condition of the people, to judge to what extent the measures of relief introduced are effecting their purpose and to see that all who require relief in any of the approved forms are able to get it;
- (b) to provide an effective machinery for the distribution of gratuitous relief at the homes of the people, and for the supervision of village works.

For these purposes, affected districts will, in case of famine, be divided into circles of convenient size for relief administration, each circle being placed under a Circle Inspector. Over the Circle Inspectors may be placed Relief Mámlatdárs and Special Relief Officers with duties as described below, the whole establishment being subordinate to the Sub-divisional Officer.

52. Village inspection shall be conducted, under the general direction of the Collector, by—

- (a) the existing staff of village officers, strengthened as may be necessary;
- (b) the Circle Inspectors, permanent and additional;
- (c) Relief Mámlatdárs;
- (d) Special Relief Officers;
- (e) the Sub-divisional Officers.

53. The village officers shall, as far as practicable, daily visit every house in the village to discover cases of destitution, and shall deal with such cases in the following manner—

Duties of village officers.

- (a) any person able to work shall be made to go to the nearest relief work, being given, if required under section 68, an order of admission;
- (b) any person entitled under section 146 to relief in the village shall be entered on the village gratuitous relief register, being given immediate relief pending the next visit of the Circle Inspector;
- (c) any starving wanderer found within the village boundaries shall, if able to go, be provided with an order of admission to the nearest poor-house and if necessary shall be given food for his journey; or, if unable to go, shall be placed temporarily on the village gratuitous relief register.

The village officers shall never, during the prevalence of famine, absent themselves from their villages without leave.

54. For the purposes of village inspection, the Collector shall divide each táluka into relief circles, with fixed head-quarters for each; in doing so, he shall split up the existing charges of permanent Circle Inspectors as may be necessary, and shall apportion the relief circles, thus constituted, among the permanent Circle Inspectors and additional Circle Inspectors specially appointed. The circles shall be small enough to allow the Circle Inspector to thoroughly inspect every village once a week at least.

Relief circles.

55. The Circle Inspector shall inspect each village in his circle not less than once a week and keep himself thoroughly acquainted with the condition of all the inhabitants. It shall be his special duty—

Duties of Circle Inspector.

- (a) to discover the amount of distress existing in the villages;— for this purpose his visits should generally be made without notice; on arrival, he should at once call the village officers and village committees and through them collect all the recipients of gratuitous relief (except the bed-ridden and *pardanishin*), all destitute strangers who may be in the village and as many others of the villagers as possible; meanwhile, he should make a house-to-house inspection, which should be especially thorough in the low-caste quarters, and should make special inquiries as to *pardanishin* women, if any;

Organization of village inspection and relief.

- (b) to deal with all cases of destitution ;—for this purpose he should follow generally the instructions laid down for village officers in section 53 ; he should make known the places at which relief works are open and make persons in distress to go to them ;
- (c) to direct and strictly control the distribution of gratuitous relief in the villages ;—for this purpose he should give the village officers and committees detailed instructions on all points ; he should strike off the gratuitous relief register any persons whom he finds to be ineligible and add the names of any whom he finds to be eligible under section 146 ; he should carefully examine the accounts of the grain or cash dole in the manner described in section 151 to ensure detection of any fraud or error ; and a memorandum should be prepared detailing any errors found, which the Circle Inspector will submit through the Relief Mámíatdár to the Special Relief Officer, who will make a special report to the Sub-divisional Officer in the event of the detection of fraud ; he should satisfy himself that the village officers and members of the village committee are carrying out their duties ; he should inquire into any complaints as to the quantity or quality of the grain distributed and test the grain-dealers' weights ;
- (d) to examine the death registers, noting the results in his diary, and at once report any unusual sickness or mortality in any village ;
- (e) to help as required in the management of village works, kitchens and poor-houses ;
- (f) to keep a careful diary for submission through the Relief Mámíatdár to the Special Relief Officer once a week, for information and return with orders.

Allowance to distressed persons proceeding to relief works.

56. The Circle Inspector shall be authorized to give, *if necessary*, to distressed persons proceeding to relief works the dependant's allowance for the journey, in grain, cash or cooked food at the rate of one day's allowance for each twelve miles of the journey. This allowance shall be disbursed in the same way as gratuitous relief is distributed in the village, the names of the recipients being shown in the village gratuitous relief lists for the days on which the allowance is given.

Appointment of Relief Mámíatdárs.

57. Relief Mámíatdárs shall be appointed as required by the Commissioner for each táluka ; and such clerical assistance as may be necessary shall be provided for them, together with a sufficient number of peons. When no Special Relief Mámíatdár is appointed the táluka Mámíatdár shall perform the duties of the Relief Mámíatdár as laid down in the Code.

Duties of Relief Mámíatdár.

58. The Relief Mámíatdárs shall be directly subordinate to the Special Relief Officers ; their general duties shall be of the same nature as those prescribed for Special Relief Officers in section 60, and they shall be specially responsible for fixing the prices to be paid for grain supplied for the village grain dole and for village kitchens. They shall submit their diaries through the Special Relief Officers to the Sub-divisional Officer for information and return with orders.

59. Special Relief Officers shall, with the approval of Government, be appointed, as required, by the Commissioner for each taluka or such other area in a sub-division as may seem proper; and such clerical assistance as may be necessary shall be provided for them, together with a sufficient number of peons. Ordinarily the Special Relief Officer shall be subordinate and responsible to the Sub-divisional Officer; but the Collector may extend the powers and responsibilities of any Special Relief Officer, whom he considers fit for the same, by making him independent of the Sub-divisional Officer and solely responsible for relief organization in the area under his charge. When no Special Relief Officer is appointed the Sub-divisional Officer shall be the Special Relief Officer.

60. The general duties of a Special Relief Officer shall be as follows:—

- (a) He shall move about actively in village inspection, supervise the Circle Inspectors as regards their accounts and returns, as well as in their inspection work, and administer the provisions of chapters IX and X under the general control of the Sub-divisional Officer.
- (b) He shall inspect all village works, poor-houses and hospitals, and also, if specially empowered by the Collector under section 49, all public works, within the area under his charge.
- (c) As deputed from time to time, he shall open village works, and again close them, or reduce the number of labourers by drafting to public works.
- (d) In inspecting villages, he shall be generally guided by the directions laid down for Circle Inspectors in section 55; he shall also examine the registers of births and deaths, vaccination, small-pox and cholera in the villages, and give attention to the sources of water-supply, the sanitary condition of the villages, and the state of the burial-grounds; and, in his diaries, he shall report the amount of migration to and from each village, the state of returned emigrants and the presence or the prospect of any special form of distress.
- (e) He shall give special attention to the state of the idle or disheartened poor, who, though able to work, refuse to leave their villages.

NOTE.—These must be dealt with strictly: only those who are in danger of starving and cannot leave the village are to be fed in it; and of those who come back from the works to their villages, those only are to be fed who are unable to work. It should be borne in mind that to those who have wilfully abandoned the works, relief should not be given, unless it is indispensable for the preservation of their lives. At the same time, the children of such persons as those described here should receive consideration, and, if found in a reduced state, should be relieved in poor-houses or village kitchens. Much discretion in these matters is left to the Special Relief Officer, which cannot be safely accorded to his subordinates.

- (f) He shall be responsible for recommending action by the Collector in relief of village servants under sections 158 and 159.

Organization of village inspection and relief. —

- (g) He shall keep careful diaries, and submit copies of them week by week through the Sub-divisional Officer to the Collector.

NOTE.—The Collector shall return these diaries through the Sub-divisional Officer to the Special Relief Officer, with marginal notes in which he shall express his approval or otherwise of the acts of these officers, answer queries, and clear up doubts, and thus study to secure efficiency in the important and multifarious duties of a relief officer. The diaries shall be made use of, as much as possible, to reduce the burden of miscellaneous correspondence. Any diary containing information which the Collector thinks should be communicated to the Commissioner should be forwarded to the Commissioner for perusal and orders if necessary.

Sub-divisional Officers. —

61. The Sub-divisional Officer shall ordinarily be invested with summary magisterial powers, if not already exercising such powers; and shall so far as possible be relieved still further from the pressure of magisterial duties, by the investiture of Subordinate Judges in his sub-division with first class magisterial powers.

CHAPTER VI.—GENERAL RULES APPLICABLE TO ALL RELIEF WORKS.

General rules applicable to all relief works. —

General. —

62. Relief works shall be managed on a system of pure payment by results, supplemented *on public works only* by relief to dependants, with a maximum limit to daily earnings, but without a minimum wage. It is essential that the works establishment should be from the first strong enough to preserve the strictest discipline and keep the people up to their work, that the weakly persons should be put into separate gangs, that there should be no delay in admitting new-comers, and that the greatest care should be taken in modifying the tasks to suit the different classes of soil and the powers of the workers.

(i) Selection of Works.

Selection of works. —

63. The classification of relief works has been described in section 10. A certain number of well-distributed village works shall be kept in reserve, to be opened when a serious outbreak of epidemic disease renders it desirable to scatter the people collected on large works or for the employment of people near their homes at the commencement of the rains. Otherwise the selection of relief works shall be made in accordance with the principles laid down in sections 11 and 12.

64. The Collector, acting in consultation with the Executive Engineer, shall from time to time make early recommendations to the Commissioner as to the order in which the *public works* on the programme should be undertaken in the several localities subject to the necessity of providing relief to people in urgent need of it within a reasonable distance from their homes; and it shall be for the Commissioner, in consultation with the Superintending Engineer, to decide that order, having regard to the prospective utility of the works, the possibility of their completion within or soon after the famine, and the probability of funds being available if required for their subsequent maintenance. In cases of urgency when there is not time to obtain the previous sanction of the Commissioner, the Collector may himself order any public work on the programme to be opened, reporting his action immediately to the Commissioner. In the case of *village works* the Collector shall, subject to the control of the Commissioner, decide the order in which works on the programme shall be undertaken.

65. The Collector shall give the Executive Engineer the earliest possible notice of the intention to undertake any public work. The Executive Engineer shall thereupon make immediate arrangements to procure the necessary establishment, tools, plant, hutting materials, etc. and shall give, if possible, not less than a week's notice to the Collector of the date on which the work will be ready for opening. He shall also keep the Collector informed of the probable date of completion of a work, as soon as this is known, and also advise as regards the opening of new works in addition to those in progress or to take the place of others nearing completion.

Opening of works.

(ii) *Admission to Works.*

66. (a) Ordinarily there shall be no restriction on admission to *public works*: but if it is found in practice that any public work or works are being largely resorted to by persons living within a distance of four miles who are not really in need of relief, the Collector may apply *mutatis mutandis* the system of selection prescribed for village works in sections 67 and 68 to any public work in respect only of people residing within four miles of such work, provided that this shall not be done when the tract in the neighbourhood of the work is depressed and the residents are in greatly reduced circumstances.

Admission to public
works.

(b) When the system of selection is to be applied under this section to any public work which has already been opened, such of the workers as reside within four miles of the work and have not come to the end of their resources shall be excluded from the work and informed of the nearest relief work at which they can obtain admission. This exclusion shall be made by the Relief Mámldár, or Special Relief Officer, after a

personal inquiry made on the work, with the assistance of the village officers, into the circumstances of each family.

(c) The Collector shall report to the Commissioner, for his approval, any action taken by the Collector under this section.

Admission to village works.

67. Admission to *village works* shall be limited to those who have received admission orders under section 68, provided that admission orders shall not be required from—

- (a) any person obviously suffering from privation;
- (b) the residents of any village which is not within a reasonable distance of a public work on which the system of selection for admission is not in force or of a village work specially declared by the Collector to be open to all comers;

NOTE.—As a rule 15 miles shall be considered a reasonable distance, but this limit may be reduced by the Collector in any tract where the people are unused to famine and are reluctant to come to relief works.

- (c) members of certain classes of a community to be specified by the Collector.

Admission orders.

68. (a) Admission orders in Form 17 shall be granted by the pátíl of the applicant's village, and by relief sub-committees appointed under section 22 (i). They may also be granted by Circle Inspectors and all higher officers engaged in the work of village inspection. The orders shall be signed and dated by the person issuing them. They shall be granted only to persons applying for them who have come to the end of their resources or can raise money only by selling or pledging their plough, bullocks or the implements of their craft.

(b) An admission order obtained by the head of a family shall cover all the members of the family.

(c) Whenever any authority empowered to grant orders under this section refuses to grant an order of admission to any person applying for one, the name of the person to whom the order is refused shall be entered in a special register in Form 18 to be kept by the pátíl of each village for that purpose.

Staff necessary for selection system.

69. The system of selection shall not be attempted on either village or public works unless there is a sufficient staff with local knowledge to deal effectively with selection both for gratuitous relief and for admission to works. If the staff is insufficient for both purposes, selection for works shall be sacrificed to selection for gratuitous relief. Nor shall the opening of relief works when otherwise advisable ever be delayed because the process of selection is not complete.

Expulsion from works.

70. The Charge Officer of a public work and the manager of a village work and all superior and inspecting officers shall have power to expel from the work any persons already admitted who are contumaciously idle

or who are found on inquiry not to be at the end of their resources or who being on a village work have transgressed the conditions of section 67 (b) or whose names are entered in the register kept under section 68 (c).

71. Residence on works shall ordinarily be left to the option of the persons relieved. Where materials, such as brushwood, thorns, stones, grass, etc., are procurable in the vicinity, relief workers who choose to reside on the works shall be encouraged to provide their own shelters, and hutting accommodation shall be provided at the expense of Government only to such extent as the Collector may deem to be absolutely necessary in each case.

Residence on works.

(iii) *Wages and Allowances on Relief Works.*

72. The principle of the famine wage scale is that the wage should be the lowest amount sufficient to maintain healthy persons in health. Persons not in health on arrival at a work shall be specially treated within the terms of the Code. The vigilance of all officers connected with relief works shall be directed towards the prevention of *dasturi* in any form.

Principle of famine wage.

73. The following wage scale shall be adopted on all public works:—

Wage scale.

Workers.

A.—Gangers and special gangs	One pice more than Class B.
B.—Diggers	18 Chhatáks.*
C.—Carriers	14 „
D.—Working children	10 „

Dependants.

E.—Adults	{ Male	12 „
	{ Female	10 „
F.—Non-working children over 10 but under 14 years...					8 „
G.— Do.		over 7 but under 10 years	6 „
H.— Do.		under 7 but not in arms	4 „
I.— Do.		in arms	3 „

The extra pice for Class A shall be subject to fine.

74. The basis of conversion of the grain wage to a cash wage shall be the retail price of the cheapest grain in common use, not flour but *cleaned* grain. The price-basis for each district or portion of a district shall be fixed from time to time by the Commissioner, and shall not be altered on account of small variations in market prices. The Collector, in communicating the Commissioner's orders to Charge Officers and others, shall specify the date from which the new price-basis is to take effect.

Price-basis.

* 1 Chhaták = 20s.

To meet sudden and sharp oscillations in market prices, the Collector shall have power to alter the basis within a limit of 20 per cent., reporting his action by telegram to the Commissioner.

Wages on village works.

75. A lower wage shall be given on village works than on public works, but the difference shall not exceed 25 per cent. It shall be for the Commissioner to decide, in accordance with the general orders of Government, by what percentage the wage shall be reduced on village works in each district. He shall then, at the time of fixing the price-basis for wages on public works, fix also such altered price-basis for wages on village works as will most nearly effect the reduction.

Deviation from the wage scale.

76. On all works Government, and the Famine Commissioner when specially empowered, will exercise their discretion to deviate from the prescribed scale of wages or from the wages and allowances in pice shown in Wage Table (a) of Appendix III—

(a) for increase of the scale—

- (i) when the physical condition of the people has so deteriorated that a more liberal diet is required ;
- (ii) when the vitality of the people is subjected to a special strain by seasonal conditions, such as severe cold, heat or rain, or by an outbreak of disease ; or
- (iii) when the scale is found inadequate owing to the prevalence of local distress without the prices falling to what are ordinarily regarded as famine rates ;

(b) for reduction of the scale—

- (i) when the ratio of the standard famine wage to the prevailing market wage of the country is comparatively large ;
- (ii) when there is a plentiful supply of wild fruit, vegetables, cheap meat or fuel ; or
- (iii) when people are employed on village works in, or closely adjoining, their own villages.

Calculation of cash wages.

77. Wages to relief workers shall be calculated to even pice and paid in cash unless Government otherwise direct. A ready reckoner for calculating cash wages in pice is given in Appendix III.

Wages to be paid in cash.

78. The wages are intended to cover the cost of fuel ; but, when it is impossible for the relief workers to obtain fuel, the Collector may sanction the issue of fuel gratis to them, or the workers may be allowed to take gratis from the forest areas near the works such fuel as they need for their personal use, care being taken to prevent the destruction of valuable trees.

Allowance for children in arms.

79. The allowance for a child in arms of a worker shall be paid in cash to the mother or guardian in addition to her own wage. If the

mother or guardian be a non-worker relieved in the kitchen, the allowance shall take the form of an addition to her food.

80. In the case of a birth on a work, the mother shall be paid one rupee for medical comforts. If a worker she shall be permitted to absent herself from work and be paid the dependant's wage *plus* the allowance for the child for ten days or for such longer period as the medical officer or, in the absence of a medical officer, the officer in charge may certify her to be unfit for work.

Births on works.

81. Any person who arrives on a work in an emaciated or starving condition shall at once be given either the dependant's ration, if there is a kitchen, or the dependant's cash wage: and if not entitled to remain on the work as the dependant of a worker, he shall continue to be supported until he can be sent to a poor-house or otherwise provided for.

Emaciated persons.

82. The dependant's allowance shall be given to workers and dependants on public works, and to workers on village works, for any day occupied in registration and formation of gangs, marching, medical inspection or the like, or on which work is stopped on account of the weather or from other causes.

Allowance for days on which work is suspended.

(iv) *Rest-day.*

83. One day in every seven shall be given as a day of rest on all relief works, both public and village, and no work shall be allowed on it. It shall ordinarily be the market day of the nearest town or large village in which a weekly market is held, provided that—

Rest-day.

(a) Christians shall not be required to do any work on a Sunday;

(b) if Sunday is not the day of rest, one and only one other day of the week shall be held to be the day of rest for all the persons employed on any work.

84. A rest-day allowance equal to the corresponding dependant's allowance shall be given to all workers who have been not less than three days on the work during the week. It shall be paid on the day preceding, or on the morning of the rest-day. All weakly workers specially tasked shall receive the allowance without reference to the number of days they may have been on the work. Dependants on public works shall receive cooked food or cash allowance, as the case may be, as on other days. Workers in the kitchen and others who are obliged to work on the rest-day shall receive the pay of their class.

Rest-day allowance

85. The Commissioner shall have power to dispense with the rest-day allowance on any work for special reasons, reporting his action to Government.

Dispensing with rest-day allowance.

(v) *Drafting.*

Power to draft.

86. The Collector shall have power to draft workers from public to village works or *vice versa*; or, with the object of finding more useful or fresh employment, or to avoid infection, to any works in another part of the district. In selecting the workers who are to be drafted, regard shall be had to the number of women, children and infirm persons dependent on, or belonging to, them and to the distance of the works.

Procedure in drafting.

87. The officer in charge of the work from which a draft is despatched shall observe the following procedure—

- (a) The draft shall ordinarily consist of not less than a full gang.
- (b) A nominal roll of men, women and children shall be sent with each draft, with a statement of the reason for sending it.
- (c) The draft shall be placed in charge of a trustworthy official, who shall be given money sufficient to support the persons in it until they reach the work to which they are consigned.
- (d) On reaching the work to which the draft is consigned the official in charge of the draft shall make over the persons included in it, with their nominal roll, to the officer in charge of that work, who shall at once compare the nominal roll with the draft and satisfy himself that the draft has been properly fed in transit.
- (e) If the receiving officer finds everything in order, he shall sign the nominal roll and return it, after certifying the expenditure, to the official in charge of the draft.
- (f) If the draft does not correspond with the nominal roll, the receiving officer shall note the differences, and cause the official in charge of the draft to explain them, and shall then transmit the nominal roll and the explanations to the despatching officer.
- (g) If complaints of ill-treatment or insufficient feeding are made by any persons in the draft, the receiving officer shall investigate them and shall note his finding on the nominal roll, and in the case of insufficient feeding he may refuse to certify the whole or any portion of the expenditure.
- (h) Before despatching a draft of more than 300 persons, the despatching officer shall give timely warning by special messenger to the receiving officer.

Management of
public works.

CHAPTER VII.—MANAGEMENT OF PUBLIC WORKS.*

(i) *Organization.*

Charge Officer.

88. Each public work or group of public works shall be placed under an officer who shall be called the Charge Officer, such work or group

* Further detailed instructions for the management of public works are given in Appendix IV.

of works constituting a relief "charge". The Charge Officer, who shall be, whenever possible, of not less standing than an Aval-karkun or of similar rank in other departments, shall be appointed by, or with the approval of, the Collector and shall be directly subordinate to the Executive Engineer and the Public Works Sub-divisional Officer in whose charge the work lies.

89. The Charge Officer shall be responsible for the general conduct of the work and for the organization of the people with a view to the preservation of order and to the best possible distribution of relief. He shall pay special attention to the following points—

Duties of Charge
Officer.

- (a) the prompt admission and registration of applicants ;
- (b) the classification and subsequent general supervision of workers and dependants ;
- (c) the provision of tools and shelter ;
- (d) the correctness and prompt payment of wages ;
- (e) the provision of small coin ;
- (f) the market arrangements, both as regards the sanitary condition of the shops and the sufficiency and wholesomeness of the supplies ;
- (g) the adequate supply and distribution of pure water and the protection and disinfection of the sources of supply ;
- (h) the hospital and sanitary arrangements, including the discovery of the sick in the camp ;
- (i) the arrangements for burning or burying the dead ;
- (j) the arrangements of kitchens attached to the works ;
- (k) the prompt relief of emaciated persons presenting themselves at the work or of helpless children and sick persons generally ;
- (l) the formation of the working gangs ;
- (m) the separation of the weakly and infirm from the able-bodied and the formation of weakly gangs ;
- (n) the adjustment of the task to the nature of the soil ;
- (o) the variation of the task for new-comers and weakly persons in accordance with such general orders as the Collector may issue ;
- (p) the prompt submission of accounts and reports ;
- (q) the immediate report to the Public Works Sub-divisional Officer, Executive Engineer and Collector of the outbreak of any epidemic disease ;
- (r) the hearing and investigation of complaints, which should be held at a fixed place daily.

90. The sites for relief workers' camps shall be selected with special regard to sanitary conditions, and provision shall be made before the work is opened for the supply of drinking water and the protection of the water sources from contamination and for the immediate isolation of cases of cholera or other epidemic disease.

Camp sites.

Latrines.

91. Arrangements shall be made either to dig trenches as latrines for the workers or to mark off with flags sites to leeward of, and not less than 200 yards from, the camp, where the people may be allowed to ease themselves. In either case suitable latrine accommodation shall be provided separately for dependants in the kitchen, hospital patients and the work staff.

Markets on works.

92. When it is necessary to have a market for the supply of food at a relief work itself, the Charge Officer shall see—

- (a) that the shops are located where they can be most easily protected and that they are guarded as far as may be necessary ;
- (b) that only wholesome articles of food are offered for sale, food unfit for human consumption being confiscated and destroyed ;
- (c) that correct weights and measures are used ;
- (d) that the prices current on the work are notified daily on a board placed in a conspicuous part of the market ;
- (e) that only persons approved by him are allowed to open, or keep open, shops at or near the work ;
- (f) that if competition is insufficient to ensure fair prices being charged, the matter is at once reported to the Collector.

Weekly Progress Report.

93. The Charge Officer shall despatch daily post-cards in Form 19, showing numbers relieved and expenditure incurred on the preceding day, to the Collector, the Executive Engineer and the Public Works Sub-divisional Officer. He shall also prepare a progress return in Form 20 for each week ending on Saturday night and forward one copy to the Public Works Sub-divisional Officer and one to the Executive Engineer, and shall at the same time prepare and submit direct to the Collector a brief general report in Form 22, attaching a copy of it to his progress return (Form 20). The Executive Engineer shall compile a return for the whole district in Form 21 and send one copy to the Collector and one to the Superintending Engineer.

(ii) *Admission and Classification of Applicants for Relief.*

Admission of applicant for relief.

94. At every work a place indicated by a conspicuous flag shall be fixed for the admission of applicants and shall be visited twice a day by the Charge Officer. A subordinate shall be in attendance every day, including rest-days, throughout the day to classify the applicants and draft them to the work.

Classification of workers and dependants.

95. The workers and their dependants shall be classified as follows :—

Workers.

Class A—Mates of gangs (gangers) and special gangs	...	Men only.
„ B—Adults employed on digging or some equivalent labour	{ Men.
„ C—Adults employed on carrying or some equivalent labour	{ Women.
„ D—Children of both sexes, between the ages of ten and fourteen, who are fit to work.	...	{ Men.
		{ Women.

Dependants.

- Class E—Adult dependants, including hospital patients and those attending on them Men.
 „ F—Children between the ages of ten and fourteen, incapable of labour. Women.
 „ G—Children over seven but under ten.
 „ H—Children under seven but not in arms.
 „ I—Children in arms.

Class A shall include, besides gangers, others holding a slightly responsible position and labourers with special qualifications, such as quarrymen, whom it is necessary to entertain for the proper control of the labour or prosecution of the work. Sweepers, water-carriers, ward servants and other menials shall be selected as far as possible from the relief workers and shall be classified as above in accordance with the degree or difficulty of their work.

(iii) *Charges and Gangs.*

96. A relief "charge" shall ordinarily contain not more than 5,000 workers. When there are more than one charge on a work, each charge shall be separate and self-contained with its full establishment. In the case of works which will not accommodate a full charge the Executive Engineer, in consultation with the Collector, shall fix the maximum number of workers to be admitted. Relief charge.

97. Persons for whom there is no room on a work shall nevertheless be registered, formed into gangs and paid the allowance for dependants until they are put to work. They shall be drafted as soon as possible to another work where there is room for them. Persons for whom there is no room on a work.

98. The number of workers in a gang shall not ordinarily exceed fifty. They shall elect their own headman or ganger. Members of a family, with their dependants, shall all be included in the same gang and persons from one village shall also be ganged together, as far as possible. The ganger shall work with the gang and his earnings, including the extra piece, shall, like theirs, depend on results. Numbers in a gang.

99. The Charge Officer shall himself make the division of workers into gangs and shall sign the nominal roll of each gang (section 117). Without his sanction or that of a superior officer, no changes in, or additions to, gangs shall be allowed. Charge Officer to form gangs.

100. On all works in which earth-work is the main form of relief, care shall always be taken to arrange, if possible, that the numbers of diggers (class B) and carriers (classes C and D), respectively, in each gang or sub-gang are exactly proportionate to the work to be done, so that each member of the gang may be enabled to earn the full wage. When the proportion of carriers to diggers is excessive, the superfluous carriers shall Constitution of gangs.

Management of public works.

be employed on digging, being given for class C two-thirds, and for class D one-third, of the digger's task and receiving only the C or D class wage. Similarly when the proportion of diggers is excessive, the superfluous diggers shall be employed on carrying, being given $1\frac{1}{2}$ times the C class (carriers') task and receiving the B class wage.

New-comers.

101. New-comers shall ordinarily be placed in small separate gangs so that they may be more lightly tasked for the first fortnight or until they become accustomed to the work.

Weakly gangs.

102. All weakly persons shall be formed into separate gangs.

Nursing mothers.

103. Nursing mothers, that is women having children at breast who are too young to receive cooked rations, shall be classed as ordinary workers if both mother and child be healthy and in good condition, and as weakly persons under section 102 if either mother or child be weakly or in poor condition. If either mother or child be sick or in bad condition, the relief shall be on the scale for dependants.

Aboriginal tribes and immigrants.

104. Members of the aboriginal tribes and immigrants from Native States shall, as far as possible, be put in separate gangs. Menials, *e.g.*, sweepers, water-carriers, etc., employed on duties connected with the charge shall also be ganged separately.

(iv) *Tasks.*

Standard tasks.

105. The standard tasks shall be as follows:—

For workers of class B—three-fourths of the task commonly performed by able-bodied labourers in ordinary times for earth-work and one-half of the task for metal-breaking.

For workers of class C—two-thirds of the standard task of class B.

For workers of class D—one-third of the standard task of class B.

Variation of task.

106. The Collector shall have power, with the previous sanction of the Commissioner, to vary the task from time to time. Provided the weakly gangs are separated under section 102, this power of varying the task will be the most effective means of relaxing or tightening the conditions of relief. The task should be reduced on the appearance of any signs of deterioration among the workers generally. It may safely be raised if the workers are in good condition and relief work appears to be unduly attractive. The task should be raised in this way when the approach of the rains makes it desirable to divert labour to the fields.

Adjustment of task.

107. The Charge Officer shall decide what is the class of soil or other local condition of the task, and adjust the actual task accordingly, with reference to the standard task.

Tasking of gangs.

108. Where possible, the group constituted by a digger and his carriers shall be separately tasked. If this is impossible, the gang shall be divided into sub-gangs consisting each of any number of workers up

to 25, each of which sub-gangs shall be separately tasked. But in any case in which the nature of the work renders individual tasking possible, the individual shall be separately tasked.

109. New-comers shall ordinarily, for the first fortnight, or until they are fit to enter the ranks of the workers, be separately tasked; the task shall be pitched low at the outset, if necessary as low as half the standard task, being raised gradually as the new-comers improve in dexterity and physical condition. Great care shall be taken to prevent this concession being abused by workers leaving the work for a few days and then returning.

Tasking of new-comers.

110. Weakly persons, who are unable to do a full task, shall be required to do only half of the task laid down in Tables A to D of Appendix IV or of such other task as may be fixed by the Collector. No attempt to apportion the task more exactly to the strength of the weakly gangs shall be made. If any persons are so weak as to be unable to do this half task, they shall be given such work as clod-breaking, etc., and be treated as dependants.

Tasking of weakly gangs.

(v) *Payment of wages.*

111. The able-bodied workers shall be paid strictly according to results, with the full wage fixed in section 73 as the maximum: if no work is done they will get no pay. Work which falls short of the full task by more than five per cent. shall be calculated to the nearest tenth of the full task and payment shall be made to the nearest tenth of the full wage. Tables for reckoning full and reduced wages are given in Appendix III. Short work due to contumacy shall, however, be paid for as directed in note 2 to Wage Table (b) in Appendix III.

Payment by results.

112. Weakly gangs shall similarly be paid according to results, the full wage fixed in section 73 being given if the reduced task is performed in full or within five per cent. of the full; but in no case shall the wages of the weakly be allowed to fall below the dependant's allowance (E and F of section 73).

Payment of weakly persons.

113. If, by reason of delay in the inception of relief measures, of a sudden and unexpected influx of workers or of insufficiency of staff, it becomes temporarily impossible to secure separate provision for the employment of the weakly and the strict adaptation of the task to the nature of the work and the powers of the workers, the Commissioner may direct that, until the defect can be remedied, no person on the work shall receive less than the corresponding dependant's wage, his order being immediately reported to Government.

Minimum wage in certain cases.

114. Payment of wages shall invariably be made daily for the preceding day's work.

Daily payment of wages.

115. The following procedure shall be adopted in making payment of wages:—

- (a) Payment shall be made either to the individual or jointly to the sub-gang or gang, according as the task has been allotted. When payment is made jointly to the sub-gang or gang, it shall be made in the presence of the whole sub-gang or gang to a person chosen by themselves from their own number, who shall distribute the money amongst the members of his gang in the presence of the mustering kárkun.
- (b) The wages of each gang shall be made up in a separate bag by the cashier issuing them. He shall insert in the bag a slip of paper specifying the date to which the payment relates and the total sum payable. This slip shall be made over to the ganger when payment is made by the mustering kárkun.
- (c) Wages earned by any person temporarily absent from the gang at the time of payment shall be made over to his relatives or left with the ganger.
- (d) When gangs or individuals desert the work, any wages due to them, if already drawn by the mustering kárkun, shall be refunded on the same day to the Charge Officer, who shall immediately credit the amount in his cash-book and in no case re-draw it for subsequent disbursement. The Charge Officer shall satisfy himself that unpaid wages are being refunded, by comparing the number of workers present on any day with that shown as paid on the day previous.

116. The following instructions relating to the measurement of work done shall be carefully attended to:—

- (a) measurements shall always be taken and entered directly the work is done, so that the payments due may be calculated before the close of the day and the cash disbursed early the following day; when the tasks are plainly indicated in advance and executed in full, the work of subsequent measurement will be light;
- (b) finishing gangs shall be employed to complete unfinished tasks so that the work of check measurement may be simplified;
- (c) to prevent fraud through measurement in excess of work actually done, check measurements shall be taken at least once a week, by a permanent subordinate of the Public Works Department, if possible.

117. Nominal mustering rolls shall always be kept. They shall be in Form 23 and the following instructions shall be attended to in keeping them—

- (a) All roll forms shall be stamped by the Public Works Sub-divisional Officer, each with a separate number which shall appear on each page of the form. They shall be kept under the lock of the Charge Officer and issued by him alone.

- (b) The entries on the roll shall invariably be made in ink and the roll shall be closed and totalled in the early forenoon. The attendance shall be checked morning and evening.
- (c) The roll shall invariably be kept during work hours in the possession of the ganger.
- (d) The roll shall be made up weekly.

(vi) *Dependants and Kitchens on Works.*

118. "Dependants" include non-working children and adults unable to work *who are actually dependant on the workers*. No others shall be admitted as dependants on public works; and the Charge Officer shall, with the assistance of the village officers and the residents of adjacent villages, eliminate and send back to their villages, or to the nearest poor-house, any persons claiming to be dependants but really unconnected with the workers. Careful scrutiny of the number of dependants is especially necessary on any work on which dependants' allowances are paid in cash under section 121.

Dependants on
works.

119. If village relief is efficiently administered, the number of those seeking relief on public works as dependants should not be considerable, as they will be limited to the families of the workers. Whenever the number of dependants exceeds twenty-five per cent. of the number of the workers employed on a public work, the Charge Officer shall specially refer to the matter in his weekly progress report, giving any explanation of the high percentage which he may have to offer.

Percentage of
dependants.

120. If the number of dependants interferes with the discipline on the works or is otherwise seriously inconvenient, the Collector shall have power to return them to their villages in order to bring them on the village gratuitous relief lists, provided that children are in no case separated from their guardians.

Elimination.

121. (a) Dependants, other than the children in arms of workers, shall be relieved by the distribution of cooked food in kitchens on the works, provided that if for special reasons this arrangement is found to be unadvisable or impracticable on any work, the Collector may sanction the payment of the dependant's allowance in cash on that work.

Relief of dependants
by cooked food or
cash.

(b) As far as possible kitchens on works shall be utilized as village kitchens or poor-houses, for the purpose of giving cooked food to those for whom otherwise a separate village kitchen or poor-house would have to be provided.

122. The following arrangements shall be adopted in kitchens on public works:—

Kitchens on works.

- (a) The kitchen shall be in charge of a superintendent directly subordinate to the Charge Officer.
- (b) The kitchen shall be situated within an enclosure, to which all dependants shall be admitted every morning within an hour after sunrise and again after the midday interval: they shall not ordinarily be permitted to leave the enclosure during

the hours of work. An admission and attendance register shall be kept in Form 34.

- (c) The dependants shall be formed into gangs of about thirty each, each gang of children being placed under the charge of a nurse selected from the female relief workers.
- (d) The gangs shall be grouped in messes of about two hundred and a kárkun appointed to every two messes, whose duty it shall be to muster the members of his messes twice a day, keep the necessary statements and accounts and work generally under the superintendent's orders.
- (e) Such number of grain-grinders, cooks, water-carriers, etc., as may be required shall be appointed by the Charge Officer from amongst the relief workers. The dependants shall be given such light work to do in connexion with the kitchen as they may be fit for.
- (f) Shelters from the sun and rain, facing north, and suitable latrines near at hand, shall be provided.
- (g) Children suffering from itch or conjunctivitis shall be kept separate from the others, those suffering from conjunctivitis being kept in sheds from which the light is excluded and having their eyes washed daily, under directions to be given by the medical officer.
- (h) Half the cooked ration shall be given at 9 A.M. and the other half at 4 P.M., but young children may be fed thrice a day if necessary. Care shall be taken to ensure that the food is well cooked and is eaten by those for whom it is intended.
- (i) As the scale of grain allowances laid down in section 73 includes a margin for salt, condiments, fuel, etc., the amount of *grain* to be used for each dependant shall be about $\frac{2}{3}$ ths less than the scale.
- (j) The diet shall be varied as much as possible within the prescribed scale of expenditure, the medical officer being always consulted in the matter. Fresh or condensed milk shall be provided as far as possible for emaciated children—the cost being met from the dependant's allowance or as a medical comfort, or from private charitable funds.
- (k) The medical officer shall inspect the dependants at least once a day. He shall from time to time send on to the work any adult or child over ten years of age whom he considers fit for at least light work. He shall pay particular attention to the emaciated and prescribe special diet for them under rules to be laid down by the District Medical Officer. Any dependant in need of medical attendance shall be removed to the hospital.

Non-working
children.

123. Special attention shall be paid by the Charge Officer and inspecting officers to the condition of the non-working children on any work on which the dependants' allowances are paid in cash. If any sign

of insufficient nourishment appears among the non-working children, arrangements shall at once be made to give cooked food in place of cash allowances.

124. The dependants shall be employed on such work about the camp as they may be able to perform.

Work for dependants
paid in cash.

(vii) *Accounts.*

125. The Executive Engineer shall keep the Charge Officers in funds by cheques on the sub-treasuries nearest to the works. He shall give notice monthly to the treasury officer of the demands likely to be made on the sub-treasuries during the month following.

Provision of funds.

126. The Charge Officer himself shall be the cashier of the charge. He shall obtain funds on indent from the Executive Engineer. He shall open the work with funds sufficient for the expenditure of a fortnight or three weeks, according to the distance of the charge from the nearest treasury or sub-treasury. His subsequent indents must be made well in advance of requirements, and shall ordinarily be made weekly. They shall show (Form 33)—

Charge Officer to be
cashier of the charge

- (a) the balance in hand at the date of the last indent,
- (b) cheques since received,
- (c) expenditure since incurred,
- (d) balance on date of indent, and
- (e) sum indented for, noting the number and amounts of cheques required.

SERVANTS OF INDIA SOCIETY'S
BRANCH LIBRARY
BOMBAY

These indents shall be kept in counterfoil with numbered pages.

127. The cash in hand shall be placed in bags in a strong chest, securely locked, which shall be sealed each evening and made over to the police guard for safe custody. Inspecting officers shall count the cash balance each time they visit the charge and certify to its amount in the cash-book, after verifying the entries with the indent counterfoils and with any vouchers or duplicates of vouchers that may be available.

Custody and
inspection of cash.

128. The Charge Officer shall keep a *cash-book* in Form 27, in which shall be entered every receipt and payment, each entry being given a serial number commencing from the Sunday of each week. The cash-book shall be totalled and balanced daily. No erasures shall be allowed in it, all corrections being made in red ink and initialled by the Charge Officer himself. At the close of the month a *statement of the actual cash balance* shall be prepared in Form 29; this shall be signed by the Charge Officer in token of its correctness and at once forwarded to the Executive Engineer.

Cash-book.

129. The basis of the accounts is the *nominal muster-roll*, Form 23, This shall be maintained separately for each gang by the mustering karkuns, each of whom shall ordinarily have a party consisting of five

Muster-roll.

gangs under him. From the muster-roll the mustering kárkun shall draw up his *daily abstract* in Form 25 taking it at the end of the day to the Charge Officer, who, on the basis of this abstract, shall write up his *charge day-book* in Form 26 and shall next morning at a fixed time disburse the wages and allowances to the mustering kárkun, each gang's wages being put into a separate bag and the mustering kárkun signing in the cash-book against the payment entry in his name in acknowledgment of receipt.

Disbursement of
wages

130. This disbursement shall be made only after it has been ascertained that the work done has been measured up and the wages properly calculated thereon. In exceptional cases where it has not been possible to measure up the work done by the fixed time, the Charge Officer shall advance to the kárkun concerned a sum estimated to cover the wages and allowances of his gangs. The latter shall, in the course of the day, pay only what is found to be actually due on the measurements. The Charge Officer shall note the amount advanced in his cash-book in red ink as a temporary imprest, but shall not enter it and take credit for it, as an actual payment, until the daily abstract concerned is complete for all the gangs shown therein. The Charge Officer shall be held personally responsible for any advances which he may thus give in anticipation of measurement and he must see that they are accounted for *on the day on which they are made*.

Receipts and
Contingencies.

131. Receipts shall be taken whenever possible for all payments, except for wages and allowances. The receipts for payments of more than Rs. 5 shall accompany the copy of the cash-book as sub-vouchers and those for lower sums shall be retained by the Charge Officer. Except in cases of urgency (when the action taken and the reasons for it shall be at once reported) the Charge Officer shall not incur expenditure of more than ten rupees on any one contingent item without the previous sanction of the Executive Engineer.

Hospital and kitchen
charges.

132. The Charge Officer shall keep the accounts of expenditure in the hospital and kitchen separate from the works accounts (except in so far that all expenditure on the hospital and kitchen must, of course, appear in the cash-book). The medical officer in the hospital, and the superintendent in the kitchen, shall each keep a diet register in Form 35 and a stock register in Form 36 and submit them at the end of the week, or oftener if necessary, to the Charge Officer who shall pay the amount due direct to the persons who supplied the food. A small permanent advance of Rs. 10 for contingencies may be given to the medical officer, who shall be recouped by the Charge Officer weekly, or at shorter intervals if necessary.

Payment of monthly
establishment.

133. An attendance book, in Form 30, shall be maintained for all the monthly establishment engaged on the charge, such establishment as appears on the Executive Engineer's monthly salary bill being kept distinct from such as is excluded therefrom, and the hospital and kitchen establishment each being shown separately. This book shall be closed in the early forenoon daily and from it the monthly acquittance-

rolls shall be prepared in Form 31. Travelling allowances will be passed and paid under the ordinary rules.

Management
of public
works.

134. In both hospitals and kitchens all attendants paid daily wages in food shall be classed as persons employed on duties connected with the charge and shown in the daily musters. Any monthly payments made to them in addition shall be drawn on the establishment acquittance roll.

Payment of hospital
and kitchen attend-
ants.

135. All allowances given to, and expenditure, including that on shelters, on account of, dependants on public works shall be accounted for in the Public Works Department and classed as gratuitous relief.

Allowances of depen-
dants to be shown as
gratuitous relief.

136. The most important check which can be exercised on the rate of expenditure is the comparison of the standard rate, in column (h) page 4, of the weekly progress return (section 93) with the rate of actual expenditure as deduced in columns (f) and (g) of the same return. The standard rate therein mentioned is the normal rate in ordinary times for similar work done by petty contract, excluding the cost of materials. This rate shall be calculated in each case by the Public Works Sub-divisional Officer, both when the work is opened and also subsequently from time to time as adjustments to new conditions of lead, lift, etc., are called for. It shall be reported to the Executive Engineer for sanction and intimated by the latter officer to the Collector. This check can only be of general value, seeing that no exact proportion between famine and ordinary rates can be laid down; but controlling officers will generally be able to ascertain from the comparison whether there is anything calling for explanation.

Checking the rate of
expenditure.

CHAPTER VIII.—MANAGEMENT OF VILLAGE WORKS.*

Management
of village
works.

137. The system on village works provides for a lower wage and a higher task than on public works, no relief to dependants and the individual selection of workers. They shall ordinarily be carried out either by official agency appointed by the Collector and assisted by the village committees, or by non-official agency, i. e., by the agency of local committees or of respectable non-official gentlemen, under the direct control of the Collector and his subordinates. If the pressure on such works becomes so great as to outweigh the official and non-official agency at the disposal of the Collector, these works may be transferred to the Public Works Department for management on the principles herein laid down for village works.

General.

*Further instructions for the management of village works, especially in regard to fixing of tasks, are given in Appendix V.

System on village
works.

138. In respect of the classification of workers, formation of gangs, treatment of new-comers and weakly persons and payment by results, the procedure on village works shall be the same as that on public works.

Procedure on village
works.

139. In the following respects a procedure differing from that on public works shall be adopted on village works—

- (a) admission to village works shall be limited to those who have received admission orders (section 68) ;
- (b) the standard task for workers in class B (diggers) shall be the full task commonly performed at the time of the year by able-bodied labourers in ordinary times ; and if workers in classes C and D are employed on digging or some equivalent labour, their task shall be respectively two-thirds and one-third of the task of class B ;
- (c) a lower wage shall be given than on public works in accordance with the provisions of section 75 ;
- (d) gangers shall ordinarily be entitled to only the B class wage ;
- (e) payment of wages shall ordinarily be made daily, but in special cases Government may direct that payment be made not less often than twice a week ;
- (f) there shall be no relief for dependants, since all eligible for it can be brought on the village gratuitous relief list, provided that working mothers shall receive an extra pice for their own children in arms ;
- (g) it is essential that the system of management should be simple, free from elaboration and such as can be worked by a small establishment.

Registers to be kept
by the manager.

140. The following are the registers, etc., which shall ordinarily be kept by the manager of a village work—

- (a) a nominal muster-roll of workers in Form 37 ;
- (b) a daily register, by gangs, of work done and wages paid in Form 38 ;
- (c) a weekly bill of expenditure in Form 39 ;
- (d) a cash-book in Form 28.

Returns to be
submitted by the
manager.

141. The manager shall also submit the following returns—

- (a) a daily post-card in Form 40, to be sent to such officer as the Collector may direct ;
- (b) a weekly return in Form 8 to be sent to the taluka Mámílatdár so as to reach not later than Monday forenoon ;
- (c) a copy of the weekly bill (Form 39) to be sent to the Sub-divisional Officer, or Special Relief Officer if the Collector so direct.

Accounts.

142. The accounts procedure on village works shall ordinarily be as follows :—

- (a) the manager, who must furnish security, will be given a permanent advance sufficient for two or three weeks, according to the distance of the work from the sub-treasury, and will enter all receipts and expenditure in his cash-book ;

- (b) he will recoup his advance *weekly* by submitting to the sub-treasury officer a bill in Form 39, in duplicate, accompanied by a copy of the cash-book and sub-vouchers for all items (not being daily wages) of more than five rupees; this bill will be accepted as a voucher;
- (c) the sub-treasury officer after passing the bill will return one copy of it to the manager as an advice, to be kept for record on the work where it should always be available for purposes of inspection.

Management of village works.

143. Where village works are likely to be numerous, it will generally be advisable to appoint a village works inspector, on a monthly salary of from Rs. 75 to Rs. 100, to supervise them. The inspector, who should have some knowledge of engineering, should work under the orders of the Collector.

Village works inspector.

144. The principal matters to be looked to by inspecting officers are set forth in Appendix V, paragraph 15.

Suggestion for inspecting officers.

CHAPTER IX.—GRATUITOUS RELIEF IN VILLAGES.

Gratuitous relief in villages.

145. Admission to gratuitous relief in villages being regulated solely by *individual selection*, it is essential that the village organization described in chapter V should be efficient and that full use should be made of the assistance of such non-official agency as may be available. Early attention to this portion of the relief scheme saves expense and suffering later on; the distribution of gratuitous relief in villages should therefore ordinarily begin as soon as relief works are opened. Strictness in selection is necessary at first: on the other hand a considerable extension of gratuitous relief will ordinarily be required in the rains.

General.

(i) *Selection for admission to Village Relief.*

146. The following classes of persons shall be entitled to gratuitous relief in villages, provided they have no relatives able, and by the custom of the country bound, to support them—

Persons eligible for village relief.

- (a) the aged and infirm;
- (b) the blind, crippled and insane;
- (c) pregnant women, young children whose relatives will not or cannot support them, and the like;
- (d) those whose attendance on incapable adults or young children, in their own homes, is absolutely necessary;

- (e) women of respectable birth who by custom are unable to appear in public and are in danger of starvation ;
- (f) men of respectable birth who are in danger of starvation and for whom no suitable employment can be found on relief works.

Village gratuitous relief register.

147. For every village in which gratuitous relief is given, either in kitchens or by dole, a register in Form 41, shall be prepared by the village officers (*i. e.*, the patil and village accountant) with the assistance of the village committee. This register, which forms the basis of all village gratuitous relief expenditure, shall be written on strong paper and bound in skin or cloth, and shall always be kept in the village, in the custody of either the patil or the village accountant.

(ii) *Distribution of Village Relief.*

Forms of village relief.

148. Gratuitous relief in villages shall ordinarily be given either by the distribution of a daily grain dole or in village kitchens, according as the Collector, acting under the general orders of the Commissioner, shall direct, the scale of allowances being the same as that for dependants on works (section 73). In any taluka or village in which neither of these systems is possible or considered suitable, the Collector may, with the sanction of the Commissioner, arrange for the payment of a daily or weekly cash dole. Such special arrangements shall be made for the distribution of relief to *pardanishin* women as the Collector may consider to be most suitable in each case.

Distribution of grain dole.

149. The following procedure shall be adopted in distributing the grain dole :—

- (a) All dole recipients, excepting those of classes (e) and (f) of section 146 and any who may be too ill to attend, shall be made to attend personally at the distribution of the dole.
- (b) The grain dole shall ordinarily be distributed daily by a selected grain-dealer in the presence of the patil or village accountant and at least two members of the village committee, on a system of post payment of bills.
- (c) A dole distribution list shall be kept by the village officers in Form 42, a new form being commenced each month. The names of recipients shall be taken from the gratuitous relief register (Form 41) and the necessary entries of grain given shall be made in ink at the time of distribution, the columns being totalled for every day on which payments are made.
- (d) Each recipient of relief shall receive a ticket in Form 43 and entries of all grain given shall be made on the ticket in ink at the time of each distribution.
- (e) If by reason of illness any recipient cannot attend, the patil, or in his absence the village accountant, shall receive the dole and deliver it to that person.

- (f) The grain-dealer shall prepare weekly, or with the special sanction of the Collector fortnightly, detailed bills in duplicate in Form 44. These bills shall be scrutinized by the Circle Inspector, who shall certify below them that the numbers charged for agree with the numbers in the gratuitous relief register and the dole distribution list, and shall then forward them without delay to the taluka sub-treasury. The sub-treasury officer shall check the bill without delay and send the passed amount back by the bearer to the village officers, who shall, in the presence of two members of the committee, pay it to the grain-dealer and take his receipt. One copy of the bill shall be retained by the sub-treasury as a voucher, and the other returned with the money to the village officers, who shall keep it on a file for reference by inspecting officers.

150. The following procedure shall be adopted in distributing the cash dole— Distribution of cash dole.

- (a) the instruction laid down in section 149 (a) shall be attended to;
- (b) the village officers with the assistance of the village committee shall make the distribution either daily or weekly, as the Collector may direct. A dole distribution list in Form 42 shall be kept, and relief tickets in Form 43 issued, in accordance with the instructions given for the grain dole in section 149, sub-sections (b), (c) and (d);
- (c) when daily distribution is not the rule, the dole shall be paid in advance;
- (d) a permanent advance sufficient for one month's allowances shall be given to the village officers, who shall recoup themselves by submitting detailed bills in duplicate in Form 45 every fortnight or oftener if directed, to the sub-treasury officer through the Circle Inspector; and the instructions given in section 149, sub-section (f), shall, *mutatis mutandis*, be applied;
- (e) the village officers shall enter all sums received and disbursed in a cash-book in Form 28.

151. The distribution of the grain and cash doles must be checked by constant and close inspections on the spot. Inspecting officers, including the Circle Inspector, should— Suggestions for inspecting officers.

- (a) muster the paupers [other than persons of classes (e) and (f) of section 146 and any who may be too ill to attend], comparing their relief tickets with the village register, and testing the entries in them by personal inquiry;
- (b) see that the entries in all the forms are in ink, that the columns have been duly totalled and that a line has been drawn through all the blank payment columns when relief has been discontinued;
- (c) examine the price-basis and test the arithmetic of a certain percentage of entries;

- (d) compare the numbers in the gratuitous relief registers with those in the distribution list and in the copies of the detailed bills, and check the cash-book with the bills when relief is given in cash ;
- (e) where the allowances are given in grain, see that the grain-dealers' bills are punctually submitted and paid, and make special inquiries as to the quality of, and price at which, the grain has been purchased.

Distribution in village kitchens.

152. When a village kitchen is opened in any village, all persons, other than those of classes (e) and (f) of section 146, on the village gratuitous relief registers of villages within a radius of three miles, who are able to walk so far, shall, in the fair season, be required to go to the kitchen for relief, provided that at all seasons the Collector may arrange to send out cooked food to the neighbouring villages. During the rains the circle served by a kitchen shall not extend beyond the village in which it is situated.

Rules for the management of village kitchens.

153. The following arrangements and procedure shall, as far as possible, be adopted in village kitchens :—

- (a) a superintendent shall be appointed who shall be responsible for the management of the kitchen in all its details ;
- (b) the following returns shall be kept—
 - (i) an admission and attendance register in Form 34 ;
 - (ii) a diet register in Form 35 ;
 - (iii) a stock register in Form 36 ;
 - (iv) a weekly bill of expenditure in Form 46 ;
 - (v) a cash-book in Form 28 ;
 - (vi) a deal-stock register of articles that are not perishable, e.g., utensils etc. in Form 72 ;
- (c) each person shall on first admission be given a ticket containing his number on the admission register and a simple mark to show the ration of the class to which he belongs : the ticket should be worn round the neck at meal times ;
- (d) half the ration shall be given at 9 A.M. and half at 4 P.M. Half an hour before meal times the superintendent shall call the attendance register, marking the entries of attendance in ink. The cooked food shall then be served out, to be eaten at the kitchen. The removal of food shall not be permitted unless for special reasons, and such permission shall very rarely be granted in the case of young children ;
- (e) the persons on relief may be employed on such light work about the kitchen or the village as they may be fit for ;
- (f) an arrangement shall, if possible, be made for the supply of food-stuff *daily* by a grain-dealer, on an indent based on the *attendance of the previous day* ;
- (g) the superintendent shall total the register after each meal. From it he shall every evening post up the diet register and draw up an indent of supplies required for the *following*

- day. The indent shall then be handed to the grain-dealer, who shall deliver the supplies on the following morning, keeping the indent for a period of one month in case it is called for ;
- (h) the diet register and indent shall always be completed before delivery of grain is taken ;
 - (i) if there are new arrivals on the following day, a supplementary indent shall be made out by the superintendent. If the number on the following day fall short of the number provided for in the indent, the surplus cooked food shall be distributed among the persons present, and not removed from the kitchen ;
 - (j) the superintendent shall have the supplies received from the grain-dealer weighed in his presence. He shall also personally see to the weighing out of the supplies to the cooks both morning and afternoon. He shall also frequently test the weight of the cooked food as prepared by the cooks ;
 - (k) the superintendent shall be given a permanent advance ordinarily sufficient for a fortnight's expenditure and shall enter all sums received and disbursed in his cash-book. From his advance he shall meet all charges for establishment, contingencies and food. The food bill shall ordinarily be paid weekly ;
 - (l) the superintendent shall recoup himself weekly from the sub-treasury by submitting a bill in Form 46 in duplicate accompanied by a copy of the cash-book and sub-vouchers for all items of more than five rupees : this bill shall be accepted as a voucher. The sub-treasury officer after passing the bill shall return one copy of it to the superintendent as an advice, to be kept always available for purposes of inspection.

154. Surprise visits are specially valuable in the case of kitchens ; and it is important that they should be made at the time the grain is weighed, as well as at the time of roll-call and the distribution of food. Having tested the weighments, or the roll-call and distribution of food, the inspecting officer may usefully make his general inspection on the following lines—

Suggestions for
inspecting officers.

- (a) check the register of admission and attendance, and compare it with the diet register ;
- (b) compare the diet register with the cash-book, sending, if necessary, for the original indents from the grain-dealer ;
- (c) check the totalling of the cash-book and compare it with advices of remittances from the treasury ;
- (d) see that the establishments have received their wages as entered in the cash-book and that their numbers are not excessive ;
- (e) enquire into any unusual contingent-expenditure ;
- (f) specially examine the prices charged for the food supplied, if necessary, making enquiries in the village ;
- (g) see that the recipients of food have their tickets, know their rations and feed in regular groups ;

- (h) note the condition of the children who have been for some time at the kitchen ;

NOTE.—If the condition of the children is good, the presumption is that they are receiving their full rations ; while if it is bad, the presumption is that there is leakage of food.

- (i) at meal times note the quality, and in the case of food like *khichri* the consistency, of the food, and inquire from the recipients whether they usually get food of that kind ;
- (j) check the articles of dead-stock ;
- (k) note carefully the incidence of expenditure per head relieved
(i) for diet only and (ii) for total expenditure.

Fixing of prices to be paid for grain supplied.

155. It shall be the special duty of the Relief Mámíatdár, under the supervision of the Sub-divisional Officer and the Special Relief Officer, to fix from time to time the prices to be paid for cleaned grain supplied for the village grain dole, for poor-houses and for public works and village kitchens. The following instructions shall be carefully attended to in the matter—

- (a) the supply of grain shall ordinarily be got in each case from the village *bania* or nearest grain-dealer, if he is willing to supply it at such rates as may be fixed from time to time by the Relief Mámíatdár ;
- (b) the Relief Mámíatdár shall from time to time fix the price of grain for each village in which either a grain dole is given or a village kitchen is established, and shall take a written agreement from the grain-dealer that he will supply such amount of grain as may be required at the prices fixed by the Relief Mámíatdár from time to time—it being part of the agreement
- (i) that the price fixed by the Relief Mámíatdár shall remain in force until altered by him, and
- (ii) that the grain-dealer shall, in the case of a grain dole, distribute the dole daily and, in the case of a kitchen, deliver the amount of grain indented for by the superintendent daily at the kitchen ;
- (c) delivery of grain shall never be taken until the price has been fixed ; in any case in which grain is urgently required and the Relief Mámíatdár has been unable to fix the price, the Circle Inspector shall fix the price temporarily, pending the orders of the Relief Mámíatdár ;
- (d) the following method shall ordinarily be adopted by the Relief Mámíatdár for the purpose of fixing the price for each village :—the price of *cleaned* grain having been ascertained by personal inquiry on each market day at each market town, the

following addition should be made to the price at the nearest market town—

for villages within 2 miles of a market town no addition.
for villages from 2 to 5 miles from a market town an addition of 3 pice per 40 lbs.
for villages from 5 to 10 miles from a market town an addition of 4 pice per 40 lbs.
for villages from 10 to 15 miles from a market town an addition of 5 pice per 40 lbs.

The price so fixed shall be regarded as inclusive of all charges, and no claim shall be entertained for cartage, commission or any other extra charge ;

- (e) it shall be the duty of the Circle Inspector and of the village officers to bring to the immediate notice of the Relief Mámíatdár any local fall in prices below the rate fixed by the Relief Mámíatdár ;
- (f) both the Sub-divisional Officer and the Special Relief Officer shall exercise the closest supervision over the work of fixing grain prices.

156. (a) For the purpose of checking the numbers and expenditure on village gratuitous relief, as well as on village works and in poor-houses, the following ledgers shall be maintained for each táluka, either by the Sub-divisional Officer, or by the Special Relief Officer or by the Relief Mámíatdár, as the Collector may direct, and shall always be available at the head-quarters of the táluka for reference by any of the above three officers—

Ledgers of numbers
and expenditure.

- (i) a ledger of the numbers on gratuitous relief in each village in Form 47 ;
- (ii) a ledger for each village kitchen and poor-house in Form 48 ;
- (iii) a ledger of prices charged for grain in Form 49 ;
- (iv) a ledger for village works in Form 50.

These ledgers shall be used for bringing current expenditure continually to test. Copies of the ledgers should be sent monthly to the Huzur, so as to ensure a satisfactory check of the bills, and of the ledger in Form 49 to the Accountant General.

(b) Any officer who is given a permanent advance for casual relief shall maintain a cash-book in Form 28 and a register in Form 51. He shall recoup his permanent advance on bills in Form 52, which shall be accepted as voucher by the sub-treasury officer. Any officer who is required to give casual relief but has not received a permanent advance shall recover any amount expended by him from an officer holding an advance for this purpose ; the latter shall satisfy himself that the claim is genuine, and shall be responsible for the correct entry of the payment in his register.

Casual relief.

Gratuitous relief in villages.

Treatment of women on gratuitous relief delivered of a child.

157. If a woman in receipt of gratuitous relief is delivered of a child, the mother shall be paid one rupee for medical comforts. Care should, however, be taken not to admit to dole with undue liberality women who are expectant, or have somewhat recently been confined. The exact period before or after confinement when a woman is able to work must depend on circumstances, but in accordance with the custom of the labouring classes will probably seldom exceed fifteen days. When any woman able to work is admitted to dole more than fifteen days before expected confinement or kept on dole more than fifteen days after confinement special reasons should be recorded in the dole register.

Relief to inferior village servants.

158. (a) The Collector shall arrange for the relief of such number of the inferior village servants (watchmen, *mahars*, etc.), as are required to remain in the villages for the performance of their duties, by entering them on the village gratuitous relief register.

(b) Gratuitous relief to such inferior village servants shall ordinarily be given in the form of a grain or cash dole, paid monthly, weekly or daily as may be most convenient, and such inferior village servant shall not ordinarily be required to go to a village kitchen for relief.

(c) The gratuitous relief payable in grain or cash to such inferior village servants shall be the dependant's allowance less the emolument actually received by such inferior village servants from land, ordinary cash allowances and perquisites.

(d) Such inferior village servants should be shown as a separate class K in Forms 41, 42 and 43, and the total of this class should be shown in Forms 41 and 42 separately from the totals of the other classes

(e) Where the gratuitous relief is paid to such inferior village servants monthly the statement for such servants in Form 9 should be submitted monthly and only columns 1, 2, 3 and 23 of that Form should be filled in, the figure in column 3 being the number of such servants to whom relief has been granted for the month and not the total of daily units relieved. Where weekly or daily payments are made the total numbers of inferior village servants should be shown separately from the total numbers of other classes in columns 3, 7 and 8 of Form 9.

(f) The wives and children and other dependants of such inferior village servants must seek relief in the ordinary way, either on relief works or, if they are eligible for village gratuitous relief, in the villages.

Relief to superior village officers.

159. When it is necessary for the proper performance of village duties, the Collector shall report the names of *pâtils* and village accountants whose emoluments and private means are not sufficient for their support, and apply for sanction to pay them a suitable additional monthly remuneration.

Distribution of relief in towns.

160. The distribution of gratuitous relief in large towns shall be conducted, as far as possible, on the principles laid down above. The Collector shall utilize the municipal organization to the utmost extent and shall associate with himself committees of respectable residents, through whom, as far as possible, the lists shall be prepared and the relief distributed.

No. VII.

CORRECTION SLIP TO THE BOMBAY FAMINE RELIEF
CODE, 1912.

Page 47.

Delete section 167.

(Government Resolution No. 9084, dated 25th September 1914.)

H 711

CHAPTER X.—POOR-HOUSES.

Poor-houses.

161. Poor-houses are institutions within which cooked food is distributed gratuitously to the inmates on condition of their residing therein and conforming to rules of discipline and order. Their special object is to collect and relieve paupers sent adrift by the contraction of private charity. They may with advantage be opened in the early days of a famine when test works are started. At a later stage pressure may properly be employed to send to poor-houses, and keep there, under compulsion, destitute wanderers who are unable or unwilling to work. The number of poor-houses to be established will depend chiefly on the extent to which vagrancy prevails.

General.

162. Poor-houses shall receive all classes of applicants, who shall then be either drafted to relief works, sent to hospital, transferred to their homes, or retained as ordinary inmates; these latter, who will comprise wanderers and professional beggars incapable of work or who refuse to work, shall be supported until the famine is so far at an end that private charity can again be relied on. The poor-houses may also be used as rest-houses for those on their way to a relief work, who come with an order from a relief officer entitling them to food and shelter for the night.

Admission to poor-houses.

163. The number of poor-houses to be established in any district shall be fixed by the Commissioner. As a rule, for reasons of discipline and health, a poor-house shall not accommodate more than 500 persons.

Number of poor-houses.

164. Inmates of poor-houses shall ordinarily receive the dependent's allowances of cooked food, but the superintendent shall have full discretion to give any inmate, whether admitted to the hospital or not, a special diet suited to his requirements. Necessary clothing shall also be supplied, the cost of which, if not met by private charity, shall be defrayed by Government.

Rations.

165. A hospital, in charge of a medical officer, shall be attached to each central poor-house; and, when necessary, to each branch poor-house.

Hospitals.

166. Such of the inmates of a poor-house as are able to do light work shall be employed on some work in, or connected with, the poor-house, *e.g.*, supplying water, sweeping enclosures, grinding grain, repairing fences, stone-breaking, etc.

Work for poor-house inmates.

167. When a poor-house is closed, every inmate shall on departure ordinarily be given a valedictory dole sufficient to support him for a fortnight.

Closing of poor-houses.

168. A superintendent, who if possible should be a medical man, shall be placed in charge of each poor-house and shall be responsible for its management in all details. He shall be immediately subordinate to the Special Relief Officer and shall have under him such establishments as the Collector may decide to be necessary. The management shall be conducted as far as possible on the lines sketched in Appendix VI.

Superintendent and establishment.

Poor-houses.
Accounts.

169. Forms 34, 35, 36 and 46 shall be kept in every poor-house, and the account procedure laid down in section 153 for village kitchens shall, *mutatis mutandis*, be adopted in poor-houses with the exception that the pay of the establishment, except variable establishment, shall be drawn direct from the treasury or sub-treasury.

**Arrangement for
supplies.**

170. The arrangements for a daily supply of food will be comparatively easy in the case of poor-houses, because they will ordinarily be located at convenient centres; but the objections to keeping stocks of food are less than in the case of kitchens, because the staff will be comparatively efficient and supervision can be readily secured. If, for medical or other reasons, it is desirable to lay in stores of food, a stock register (Form 36) shall be maintained, showing daily for each article the opening balance, the receipts, the issues and the closing balance of stock. In such a case it will be an important duty of inspecting officers to examine the stock register, testing its entries by careful count of the stores, and comparing the issues recorded in it with the corresponding entries in the diet register.

**Rains Policy
and Closure
of Relief.**

CHAPTER XI.—RAINS POLICY AND CLOSURE OF RELIEF.

General.

171. In the interests of the country at large, the main object of the policy for the rains should be to secure the re-establishment of ordinary agricultural conditions as soon as possible. When a demand for field labour has set in, it is legitimate to use pressure to make the people on relief works return to their villages. At the same time increased activity in village inspection, resulting probably in an extension of gratuitous relief, is necessary as a safeguard.

**Policy at the
commencement
of the rains.**

172. As soon as the commencement of the rains opens employment in the fields, the task shall be raised for the able-bodied workers; and dependants and weakly gangs, or weakly persons individually tasked, shall be, as far as possible, drafted to their homes, such of them as require relief, and especially the children, being brought upon the village gratuitous relief lists until the harvesting of the earliest principal crop brings a substantial increase to the earnings of the able-bodied. But in no case shall gratuitous relief be given during the rains to the *able-bodied*. Workers sent home from the works may be granted the dependant's allowance for the journey, at the rate of one day's allowance for each twelve miles of the journey.

**Policy after the
setting in of the
rains.**

173. As people leave the works, those who remain shall, as far as possible, be dispersed over small public or village works near their homes; but it will be necessary to keep open the large public works for a time,

as a precaution against any rush of returning workers in the interval between sowing and harvest or during a temporary cessation of the rains.

Rains Policy and Closure of Relief.

174. The process of gradual closure of works shall begin as soon as the demand for field employment sets in; and all works should be closed by the time the earliest principal autumn crop is ripe, presuming the season is a favourable one.

Closure of works.

175. As the demand for agricultural labour increases, the gratuitous lists shall be carefully scrutinized with a view to their reduction. When the earliest autumn crop is ripe in any tract, gratuitous relief shall be generally closed in it, whole villages being struck off the list at a time.

Stopping of gratuitous relief.

176. When gratuitous relief is discontinued, the recipients of it shall ordinarily be given a valedictory dole, in grain or cash, sufficient to support them for about a fortnight.

Valedictory dole.

177. It may be necessary to keep poor-houses open until the autumn harvest generally has been gathered and until private charity renews its usual activity.

Keeping open of poor-houses.

CHAPTER XII.—ORPHANS.

Orphans.

178. The Collector shall be in time of famine the temporary guardian of children who are found deserted in his district. His responsibility for the care of them shall continue until three months after the close of the famine, up to which time he shall continue to make efforts to discover the natural protectors of the children or, failing these, respectable persons of the same religion who are willing to adopt them and to submit to any enquiries regarding their condition that the Collector may desire to institute and who satisfy the Collector that they have the means to support them.

General.

179. Deserted children for whom the Collector is temporarily responsible shall, if old enough, be sent to a suitable relief work; if they are too young to work, arrangements shall be made for relieving them in a kitchen or poor-house until they can be disposed of under section 180.

Relief of deserted children.

180. (a) Deserted children relieved in a kitchen or poor-house may be made over (i) to any person mentioned in section 178; or failing these (ii) to any other suitable persons resident in the same province; or failing these (iii) to any private orphanage; or failing this (iv) to a State orphanage.

Disposal of deserted children.

Orphans.

(b) Deserted children shall not be made over to persons and institutions of different religions until all efforts to find persons and institutions of their own religion willing to take charge of them have failed.

Private orphanages.

181. The following rules shall be applicable to all aided or unaided private orphanages to which the Collector permits famine orphans to be admitted:—

- (a) If called upon the manager shall satisfy the Collector, before receiving charge of the child, that there is a reasonable prospect of his being able to maintain him until he reaches the age of 18 years.
- (b) The manager shall maintain a register in Form 53 of all famine orphans admitted and shall submit copies of the register monthly to the Collector.
- (c) Free access to the children shall at all times be given to the Collector and to persons claiming as parents or relatives to remove the children.
- (d) In the event of the parentage or relationship being, in the opinion of the Collector, satisfactorily established, the children shall be made over to such persons.

State orphanages.

182. The following procedure shall be adopted in State famine orphanages:—

- (a) Separate accommodation, which may conveniently be attached to poor-houses, shall be provided for orphans at such places as the Collector may direct.
- (b) If orphans are provided for in poor-houses, they shall be kept separate from the other inmates, and shall be treated and accounted for as if they were in a separate orphanage.
- (c) The rules for the management of poor-houses shall be applied, as far as possible, to orphanages.
- (d) A register in Form 53 shall be kept of all children relieved in State orphanages; a weekly statement in Form 54 shall also be submitted to the Collector through the Sub-divisional Officer.
- (e) Children who within three months of the close of relief operations have been neither claimed nor adopted may be sent, with the approval of Government, to any public institution for the care of destitute children.
- (f) Every orphanage shall be periodically inspected by a non-official committee comprising gentlemen of different religions.

CHAPTER XIII.—ABORIGINAL HILL AND JUNGLE TRIBES.

Aboriginal Hill
and Jungle
Tribes.

183. The ordinary rules of the Code regarding relief measures will not bear application to the aboriginal hill and jungle tribes, but must be relaxed to suit their peculiar characteristics and surroundings. Relief must be taken to these people if they are reluctant to come to it ; gratuitous relief must be liberal ; and wherever the numbers are great the officers appointed to administer relief should be selected for their knowledge of, and sympathy with, the tribes. The aid and co-operation of resident missionaries should be utilised when forthcoming. It is also of the greatest importance that all details of the relief organisation should be carefully thought out and arranged before the distress among these tribes comes to an acute pitch.

General.

184. If members of the tribes are willing to attend the ordinary relief works, they shall, as far as possible, be formed into separate gangs on such works.

Separate gangs on
ordinary works.

185. To provide for members of tribes who are unwilling to attend ordinary relief works, the following procedure shall be adopted :—

Special relief
measures.

- (a) Circles shall be formed containing four or five villages, the object being to secure relief within five miles of each village.
- (b) The following works, which have in practice been found suitable, may be entered in the annual programmes :—the making and clearing of village tanks, the construction of wells, improvements in sanitation, the construction and clearing of *nála* crossings, the making or raising of embankments, clearing fields of stones and stumps, the cutting and storage of grass, wood-cutting and the cutting of forest lines, mat-making, the collection of wild produce for the market, or other industry to which the people are accustomed ; and from the end of April onwards the preparation of fields and in the rains the weeding of them.

186. On the first warnings of scarcity, specially careful village inspection shall be made, and persons who are likely to require relief shall be divided into three classes—

Classification of
those in need
of relief.

- (a) those incapable of work and requiring gratuitous relief ;
- (b) those capable of work and without resources of any kind ;
- (c) those capable of work and with some resources, but requiring partial relief.

Persons in class (a) shall be brought upon the gratuitous relief list, all persons showing signs of emaciation or physically capable of doing only very light nominal work being admitted to the list in addition to those eligible under section 146. Persons in class (b) who are unwilling to go to the ordinary relief works shall be employed on the special works

Chaps. XIII- 52
XIV.

Aboriginal Hill
and Jungle
Tribes

indicated in section 185. Persons in class (c) shall be relieved either by employment as persons in class (b) or by the sale of grain at specially low rates in quantities sufficient for their requirements.

System on works
for hill tribes.

187. The system to be adopted on relief works opened for these tribes shall be generally that prescribed in the Code for village works subject to the following special provisions—

- (a) the immediate management of works shall be entrusted to their own village headmen or to their natural leaders, whenever such persons are to be found and are not proved incompetent ;
- (b) as far as possible, families shall be separately tasked, and the tasks shall be low ;
- (c) payment of wages shall always be made daily and due regard be had to the provisions of sections 112 and 113.

Wage and allowance
scale.

188. The scale for both wages and gratuitous allowances shall be fixed by Government with reference to the amount of wild produce available for food, but shall ordinarily be that in force on village works in the district and shall in no case fall short of that prescribed in section 73 by more than one-third. Wages may, when thought advisable, be given in the shape of grain. Gratuitous relief shall ordinarily be given either in grain or in cooked food.

Village inspection
and gratuitous relief
during the rains.

189. Village inspection throughout the period of famine shall be specially careful among these tribes; and gratuitous relief shall be liberally extended during the rains to all who are unable to work or to find employment.

Free use of
Government forest
produce.

190. Full permission shall be given to these people to gather, free of charge, edible products from Government forests, and fees ordinarily levied on forest produce in which they trade shall be reduced or remitted according to circumstances.

Relief to
Artizans.

CHAPTER XIV.—RELIEF TO ARTIZANS.

Relief to weavers.

191. Distressed weavers shall, whenever possible, be given special relief in their own craft, if their sole occupation is weaving and if they are—

- (a) unfitted by the practice of their profession and hereditary habits for hard out-door labour, or
- (b) physically incapable of earning a sufficient livelihood on relief works, or

- (c) unable to submit to the labour test on relief works without risk of impairing their manual skill or the delicacy of touch necessary for their own craft.

192. Special relief shall be organised only where the weavers reside in considerable numbers in the same town or village or in a group of adjacent towns and villages. Admission to such relief shall be regulated by *personal* inquiry and selection.

Organization of and admission to relief.

193. In the case of municipalities, the municipal committees shall, as far as possible, be induced to finance and manage, under the direct control of the Collector, such special relief of this nature as may be called for, Government granting, if necessary, loans for the purpose free of interest and agreeing to bear half the loss, if any. Otherwise the operations shall be conducted by the Collector with the help of such non-official agency as may be available.

Municipalities to manage relief.

194. Any famine charitable relief association which may be formed in a district may also be invited to assist, by itself organizing special relief on these lines or by purchasing the manufactured cloth.

Assistance of charitable associations.

195. The relief shall be administered, as far as possible, direct to the weavers and not through middlemen. The method may be either—

Mode of administering relief.

- (a) to remunerate the weavers at a fixed rate for a fixed task, the raw material and the manufactured cloth both being the property of the relieving fund; or
- (b) to give advances, if necessary, to the weavers for the purchase of the raw material, and to buy the woven cloth from them at the current market rate.

In either case the workers shall ordinarily be employed in weaving such coarse cloths as are likely to be required either by Government or by charitable relief funds for distribution during the famine; any cloth not required for this purpose shall be subsequently sold to the best advantage and the proceeds credited to the fund from which the relief has been dispensed.

196. When these operations are conducted on a large scale, special arrangements shall be made for audit, at regular intervals, by a selected auditor of a superior class, possessing special qualifications. The auditor shall submit his reports through the executive officers to the Accountant General; and the Commissioner shall keep Government informed of the results of the audit.

Audit of accounts.

197. If special relief is not afforded, weavers shall be employed on light work, *e.g.*, carrying earth or digging soft soil, and shall, as far as possible, be formed into special gangs and tasked with due regard to their strength, usual occupation and mode of life.

Employment on other work in default of special relief.

198. Artizans other than weavers who require relief shall be employed as far as possible in their own trades on the relief works;

Relief to other artizans.

and, in localities where the members of any particular trade or calling are numerous, preference may be given to works which will provide employment for men of such trade or calling.

Police.

CHAPTER XV.—POLICE.

Duties of District
Superintendents of
Police.

199. The duties of the District Superintendent of Police when scarcity is imminent have been laid down in sections 22 (c) and 31. When famine conditions have been declared to exist in any district, the District Superintendent of Police shall from time to time apply for such additional officers, superior and subordinate, as may be required for special duty in the distressed area, and for sanction to enlist such extra force as may be necessary to meet all requirements.

Special reports.

200. The District Superintendent of Police shall require all police officers in charge of police stations or outposts to submit special reports, from time to time, on the following matters—

- (a) increase in crime which may be attributable to a general rise in prices or scarcity of food ;
- (b) wandering of needy or starving persons and of criminal tribes or gangs ;
- (c) migration of distressed people from or into the areas under their charge ;
- (d) deaths believed to be due to want of food.

The information received shall be communicated by the District Superintendent of Police, with his suggestions, to the Collector.

System of patrol.

201. The District Superintendent of Police shall organize systems of patrol along the main roads, as well as around the outskirts of towns and villages, in order to discover cases of starvation or destitution, to stop public begging and to send distressed wanderers to the nearest relief work or poor-house ; or if unable to travel so far, to the patil of the nearest village.

Arrangements for
immediate relief
in urgent cases.

202. From the permanent advance given to the District Superintendent of Police under section 250, he shall provide the officer in charge of every police station or outpost with a small advance for the purpose of purchasing food in urgent cases. The police officer in charge shall keep an account of his expenditure in Form 51 and recoup it, when

necessary, by sending a copy of his account to the District Superintendent of Police, who shall follow the procedure laid down in section 156 (b).

203. Every officer in charge of a police station or outpost shall be held responsible that no one is left to starve within his charge. He shall pass on destitute persons fit to travel, after feeding them, under sufficient escort to the next post or nearest work or poor-house, and obtain a receipt for each such person, which shall be a voucher for the expenditure incurred. Such persons shall not be allowed to continue their wanderings after having been relieved. Starving persons unfit to travel shall, after being fed, be similarly handed over to the nearest village officer. Each police station and outpost shall also be provided with a supply of fever and cholera medicines to be obtained on indent from the Civil Surgeon.

Treatment of
destitute wanderers.

204. The District Superintendent of Police shall take extra precautions to protect markets and all places where grain is stored; and he shall also send out extra patrols on all lines of communication, so as to give general confidence to the importers of grain.

Protection of trade.

205. The District Superintendent of Police shall see that corpses found by the roadside are properly buried or burnt by the village authorities; and he shall report the extent of such mortality to the Collector.

Disposal of corpses.

CHAPTER XVI.—MEDICAL.

Medical.

206. The Sanitary Commissioner shall be generally responsible, under the directions of the Commissioner, for relief measures in their sanitary aspect. He shall—

Duties of the
Sanitary
Commissioner.

- (a) on the first appearance of distress prepare and forward to the Surgeon-General an estimate of the extra trained medical staff likely to be immediately required, providing at least one hospital assistant for each public works "charge", and, if possible, one for each group of village works and for each poor-house;
- (b) see that medical officers are appointed to public works *directly test works are converted into regular relief works*, and, in the case of poor-houses, *directly the poor-house is opened*;
- (c) from time to time, as famine continues, ascertain in advance the probable requirements of each district and give the Surgeon-General timely intimation of the same;

- (d) subject to the provisions of sections 42 and 216, supervise the whole medical staff employed in relief operations, which shall in all professional matters be in subordination to him;
- (e) watch the general management of relief works, hospitals and poor-houses with reference to the health of the people, addressing the Collector on matters not directly connected with the medical and sanitary administration;
- (f) carefully scrutinize the mortality returns, both before and during famine, for any indications of the approach or existence of famine or of defective relief measures;
- (g) on the outbreak of epidemic disease on relief works or in villages assist the local officers by advice and by recommending to the Collector the employment of additional medical officers at the same time informing the Surgeon-General of the probable number required;
- (h) draw up a standard scale for the medicines, instruments, stores, etc., which under section 217 are to be issued on the opening of any hospital; fix the standard up to which the supply is to be kept by indents on the Civil Surgeon under section 211; and inform the Medical Storekeeper on the imminence of famine, and from time to time during its continuance, of estimated requirements;
- (i) take prompt measures for complying with district requisitions for medicines, instruments and hospital appliances necessary for the treatment of the sick in famine camps and hospitals; such requisitions shall be prepared under the instructions and countersignature of the District Medical Officer or the Civil Surgeon;
- (j) issue general instructions in regard to hospital diets, and the issue of extra food or drink for the various classes of patients;
- (k) submit to Government not later than the 20th of each month a statement in Form 13, showing the death-rates in the affected districts for the previous month;
- (l) submit to Government a monthly return in Form 55 of sick persons medically treated on relief works and in poor-houses;
- (m) keep the Collectors informed of his movements as far as practicable, so that local officers may, whenever it is possible, be present at his inspection visits.
- (n) arrange for vaccination being carried on at the relief works and poor-houses in the same way as in villages.

Duties of the
Deputy Sanitary
Commissioner.

207. The Deputy Sanitary Commissioners shall, in their respective circles, act under the orders and control of the Sanitary Commissioner for the performance of the above duties.

Duties of the
Surgeon-General

208. The principal duty of the Surgeon-General with the Government of Bombay in connexion with famine relief shall be to arrange for

the prompt supply of the trained medical establishment required for relief operations of every kind. He shall—

- (a) at all times maintain, and cause all Civil Surgeons to maintain, lists of qualified candidates for employment as medical officers in time of famine, noting the vernaculars spoken by each;
- (b) take active steps to supply, from his own lists or from that of the Civil Surgeon of the district, the medical officers of all grades required for any district, immediately on receipt of requisitions under section 210 (a);
- (c) have power to engage medical subordinates for famine duty on such pay and allowances, not exceeding Rs. 250 a month, as he may specially determine in each case.

209. Should the establishment at the disposal of the Surgeon-General be inadequate to meet all requisitions, he shall apply to Government for such additional assistance from the Military Department as may be required. Failing a sufficiency of aid from this source, he shall, with the sanction of Government, entertain temporarily such qualified medical officers as may be available from the classes of pensioned medical officers of the Warrant and Hospital Assistant grades and native doctors; and should local sources fail to supply the required number of medical officers he shall promptly inform Government, in order that the needful supply of superior officers and subordinates may be obtained from other provinces.

Arrangements for the entertainment of medical officers.

210. In posting medical officers to famine duty the following procedure shall be observed:—

Posting of medical officers to famine duty.

- (a) When a medical officer is required for a hospital on a relief work or in a poor-house, the Collector shall make a requisition, by telegram if necessary, on the Surgeon-General, stating the nature of the charge and the probable number in the camp or poor-house and send a copy of the requisition at the same time to the Sanitary Commissioner. The Surgeon-General shall comply with such requisitions to the fullest extent possible, having regard to the general estimates received from the Sanitary Commissioner and exercising his discretion as to the relative urgency of the various requisitions received, and shall keep the Sanitary Commissioner promptly informed of all postings made by him.
- (b) As far as possible, only men with a knowledge of the local vernacular shall be posted to a district.
- (c) In complying with requisitions under clause (a) the Surgeon-General shall ascertain, ordinarily by telegram, whether the Civil Surgeon of the district has on his list any man available; if he has, the Surgeon-General shall ordinarily appoint a man from that list; if he has not, the Surgeon-General shall appoint a man from his own lists.
- (d) In appointing a man to any district the Surgeon-General shall not appoint him to any specific post in that district, but shall

Medical.

direct him to proceed to the head-quarters of the district; and the Collector shall appoint him to a specific post in the district informing the Civil Surgeon at once of such appointment.

Duties of the Civil Surgeon.

211. The Civil Surgeon shall, as far as famine relief work goes, be under the general orders of the Collector. He shall—

- (a) when not performing the duties of District Medical Officer, remain at his head-quarters as a rule, and exercise supervision over the relief poor-houses, hospitals, orphanages, etc., at or near the head-quarter station;
- (b) be the depôt-keeper for medicines, instruments, stores, etc., under the general orders of the Sanitary Commissioner;
- (c) comply with all indents for medicines, instruments, stores, etc., with the greatest promptitude, provided that the fixed standard is not departed from, and see that the supply with each medical officer on works, poor-houses, etc., is kept up to the fixed standard;
- (d) arrange to send on medical officers deputed to famine duty, as they arrive at head-quarters, to the posts to which they have been appointed by the Collector and see that no such officer leaves head-quarters without a proper supply of medicines, etc.;
- (e) ascertain from the Executive Engineer whether hospital accommodation on any public works charge to which, under the Collector's orders, it is intended to post a medical officer is ready and, if not, the date on which it is expected to be ready;
- (f) carefully and scientifically study the peculiar phases of disease prevalent among the famine-stricken, and make *post-mortem* examinations as opportunity offers, inasmuch as this important work cannot be systematically done by the other medical officers on famine duty.

Direct requisitions on Medical Store-keeper in urgent cases.

212. In order that there may be no delay in the supply of medicines, the Civil Surgeon is authorized to make requisitions direct on the Medical Storekeeper. The latter officer shall be informed by the Sanitary Commissioner, on the imminence of famine and from time to time during its continuance, of estimated requirements.

Appointment of District Medical Officer.

213. A commissioned or other duly qualified medical officer shall ordinarily be appointed to each famine district, with the designation of District Medical Officer; in any district to which no such officer is appointed, the duties assigned by the Code to the District Medical Officer, shall, as far as possible, be performed by the Civil Surgeon.

Duties of District Medical Officer.

214. The duties of the District Medical Officer shall be—

- (a) subject to the provisions of sections 42 and 216, to take general charge of all medical and sanitary measures connected with

relief operations outside the head-quarter station and supervise the medical establishment employed thereon which shall in all professional matters be in direct subordination to him;

- (b) to move about the district actively, inspecting the sanitary condition of relief works and villages and the physical condition of the people;
- (c) to give careful attention to the birth and death registers, and to periodically inspect the recipients of gratuitous relief;
- (d) to watch the state of the water-supply, especially that allotted to the low-caste people, and see that the instructions laid down regarding the disinfection of wells are understood by those whose duty it is to attend to them;
- (e) to see that there is a proper supply of fever and cholera medicines with the village officers;
- (f) to supervise the work of the subordinate medical officers appointed to relief works and hospitals, and instruct them in their duties;
- (g) to scrutinize the accounts of both hospitals and kitchens on all works and see that the authorized diets are issued.

215. The District Medical Officer shall have power to deal with professional misconduct or inefficiency on the part of any medical subordinate on the permanent establishment deputed for famine duty by suspending him from duty and reporting the circumstances, with the explanation of the subordinate, for the orders of the Sanitary Commissioner, who shall have power to inflict any punishment short of dismissal, reporting it for record in the Surgeon-General's office. In the case of professional misconduct or inefficiency on the part of temporary medical subordinates, the District Medical Officer shall have power to inflict any punishment short of dismissal; and the Sanitary Commissioner shall have power to dismiss, any order of dismissal being reported to the Surgeon-General.

Powers of District Medical Officer and Sanitary Commissioner as regards medical subordinates.

216. In all except professional matters, the Collector shall have complete disciplinary control over medical officers posted elsewhere than on Public Works relief works, and subject to section 42 the Executive Engineer shall have such control over medical officers posted on such works. In case of misconduct or inefficiency in any non-professional matter, the Collector or Executive Engineer shall proceed in the manner laid down for the District Medical Officer in section 215. The Collector shall have the power of transferring any medical officer from and to any post in the district, informing the Executive Engineer, the District Medical Officer, the Civil Surgeon and the Sanitary Commissioner of all such transfers.

Subordination of medical officers on public works to Executive Engineers.

217. A medical officer shall be appointed to the subordinate charge of the hospital which shall be attached to each Public Works relief charge and to each poor-house, being given the assistance of such trained

Medical officers in charge of camp hospitals.

subordinates as the Sanitary Commissioner may consider necessary. He shall proceed to his charge fully equipped with medicines, instruments, stores, etc., on the scale laid down by the Sanitary Commissioner.

Duties of medical officer in hospitals on the relief work.

218. The following duties shall be attended to by the medical officer in connection with hospitals on relief works :—

- (a) He shall keep up his supply of medicines, instruments, stores, disinfectants, medical comforts, etc., to the standard fixed for each hospital by the Sanitary Commissioner.
- (b) He shall indent from time to time on the Charge Officer for such supplies of hospital clothing, blankets, cots, mats, cooking pots, etc., as may be required for the hospital.
- (c) He shall also indent on the Charge Officer for firewood, grain, oil, country liquor and other articles of diet and stimulants as required for the hospital patients, keeping a careful record of daily consumption.
- (d) He shall superintend the cooking of the food and the issue thereof in accordance with the prescribed diet scales.
- (e) He shall immediately report any outbreak of cholera or other epidemic disease to the above-named officers and to the District Medical Officer.
- (f) He shall refer all points of doubt or difficulty, not of a professional or technical nature, which cannot be settled by the Charge Officer, to the Executive Engineer, through the Charge Officer, for orders.
- (g) He shall keep a hospital visitors' book and forward extracts therefrom to the Executive Engineer once a week. The District Medical Officer shall examine this book on his visits to the charge and record such observations thereon as may be required, after any investigation that he may deem necessary.

Duties of medical officer on works.

219. The medical officer shall attend to the following duties on relief works :—

- (h) He shall make a daily inspection of the sanitary arrangements, burial and burning grounds, camps and water-supply, and shall carry out the disinfection of wells in accordance with paragraph 24 of Appendix IV.
- (i) He shall make a daily inspection of the dependants in the kitchen, prescribing special diet for the emaciated and sending to hospital any person in need of medical attendance.
- (j) He shall make a periodical inspection of all persons on the work, with special attention to new-comers, weakly gangs and nursing mothers, sending to hospital any person who from extreme emaciation or from sickness is in need of medical attendance.
- (k) He shall make a periodical inspection of the food offered for sale at the camp.

- (l) He shall arrange for the detection of the first cases of infectious and contagious disease, and for the adoption of measures to prevent their spreading.
- (m) He shall arrange for the distribution of quinine on the works to prevent malarial fever and the supply of anti-scorbutics on the appearance of scurvy.
- (n) He shall report immediately to the Charge Officer all defects noticed by him in inspections made under clauses (h) and (k), the names of dependants in the kitchen over ten years of age, whom he considers fitted for light work, and the names of those inspected under clause (j) for whom he thinks lighter tasking or gratuitous relief, with or without special diet, is required. It shall be the duty of the Charge Officer to take action at once on the reports of the medical officer under this clause.
- (o) It shall be the duty of the Charge Officer to arrange for all officers on the work to assist the medical officer in the discharge of the duties imposed on him by clauses (l) and (m);
- (p) It shall be the duty of the medical officer to assist the Charge Officer in classing the applicants for admission under section 95; because the Charge Officer needs expert advice as to ability for work of those in poor condition and as to the ages of children.

220. The following statements shall be kept by the medical officers in charge of hospitals on relief works and poor-houses—

Statements to be kept by medical officers.

- (a) nominal registers of in-door and out-door patients in Form 56.
- (b) returns of the rations given to in-door patients in Form 57.
- (c) a diet register in Form 35.
- (d) a stock register in Form 36.
- (e) a weekly diary in Form 58.
- (f) a weekly return of patients in relief work and poor-house hospitals in Form 59, to be forwarded every Saturday evening to the Charge Officer, Executive Engineer, District Medical Officer and Deputy Sanitary Commissioner.

221. The rules for medical officers in charge of hospitals on relief works shall apply, as far as possible, to medical officers in charge of hospitals attached to poor-houses and to groups of village works.

Duties of medical officers in charge of poor-house hospitals.

Measures to be taken in event of fodder famine.

222. In the event of a fodder famine, strenuous endeavours shall be made to save at least the valuable cattle. The measures most likely to be successful are —

- (a) the stimulation of the growth of fodder crops during the period of distress, especially by the grant of loans;
- (b) the opening of Government forests to grazing and the deportation of cattle to the forests;
- (c) the importation of fodder and the grant of loans to purchase it;
- (d) the preservation of cattle in camps.

Growing of fodder crops.

223. Liberal takávi loans shall be given to cultivators for the construction of temporary wells to grow fodder crops; waste land in river beds and elsewhere may be let temporarily at a nominal rent for the production of fodder crops; and the Collector may, at his discretion, give an assurance that no special water rate will be levied for irrigation from rivers or other occasional sources of water-supply and that no fodder crop will be attached for the payment of land revenue. In tracts irrigated by canals, the Collector, in consultation with the canal officers, may take such measures as may seem advisable, for the growth of fodder and for increasing the growth of grass.

Free grazing in forests.

224. The preservation of agricultural cattle is a matter of far greater importance than any revenue which might be obtained from grazing fees; if such fees are levied at all, they shall be imposed on administrative grounds and not as a source of income. Therefore the Commissioner, in consultation with the Conservator of Forests, may throw open to free grazing any portion of forest land, subject to the following general provisions :—

- (a) in the case of forest areas ordinarily open to grazing, fees may be remitted and no attempt shall be made, when admitting cattle to free grazing, to discriminate between the cattle of agriculturists and non-agriculturists or between useful and useless animals; but fees shall ordinarily, unless the Commissioner direct otherwise, be charged for the cattle of professional graziers and shall always be charged for sheep and goats;
- (b) forest areas ordinarily closed to grazing shall be looked on as a reserve and only trenched on for grazing when other reasonable means of feeding the cattle are exhausted, and those portions which grow grass fit for cutting shall not be opened until the grass has been cut: in no case shall sheep or goats be admitted;
- (c) no grazing shall ever be allowed in areas under plantation or regeneration, unless the trees are old enough to be safe from attack;
- (d) if it is found that cattle are resorting to an open forest in numbers greatly exceeding its grazing capacity, immediate notice shall be given to the officers concerned to stop further

migration of cattle to such forest, and it may also be necessary to limit the numbers by giving preference to the cattle of villages in the vicinity of the forest and by charging fees on the cattle of other villages.

Cattle and Fodder.

225. Deportation to distant forests should be attempted only in the case of the hardier cattle which are better able to stand the change of climate and food than carefully reared and stall-fed animals.

Deportation of cattle to distant forests.

226. In the case of an acute fodder famine, Government may direct that in any district one member of each family, whose presence at home is absolutely necessary for the preservation of the cattle, shall be put on the village gratuitous relief list.

Gratuitous relief of herdsmen.

227. The importation of fodder may be undertaken by Government *in co-operation as far as possible with private enterprise*, when it is evident that private enterprise will be unable to meet the anticipated demand.

Importation of fodder.

228. In operations for the importation and distribution of fodder, attention should be paid to the following points:—

Precautions to be observed in importation of fodder.

- (a) the demand should be proclaimed at a very early date, in order both that the grass may be cut before it has lost any of its nutritive value or has been trampled down by grazing, and that the transport by railway may be commenced before the heavy traffic season*;
- (b) the cutting and transport of the grass should be entrusted to officers of the Forest Department;
- (c) the grass should be distributed under the order of the Collector from depôts which should be as close to the railway stations as possible;
- (d) the grass should be distributed at such reduced prices as Government may fix only to genuine cultivators, who are unable to pay more, for the preservation of their useful animals, and only on production of passes signed by the Sub-divisional Officers and such other officers as the Collector may empower to issue passes;
- (e) only a limited quantity should be given at reduced rates to each person, and great care should be taken to prevent the concession being abused;
- (f) grass may be given as above to cultivators either on payment of cash or as a takávi advance;
- (g) grass may be supplied at not less than cost price, for their own horses, to all Government servants employed on famine relief duty;
- (h) if the supply is more than sufficient to meet the requirements of cultivators, the surplus stock may be distributed to other persons, for animals actually in use, at not less than cost price.

* Ordinary grass cutting should commence from about 15th October.

229. In organizing cattle camps, attention should be paid to the following points:—

- (a) cattle camps should be tried only so far as careful and expert management, with the advice of a veterinary expert always available, can be secured;
- (b) the success of a camp depends on the careful selection of the animals for admission; the selection should be made by an expert and only animals which are likely to thrive from the first—animals from one to eight years of age, plough bullocks and breeding cows with a few bulls of the best breed—should be admitted;
- (c) animals may be received by gift or purchase, conditionally or unconditionally; it is generally better to buy the cattle and re-sell them at a fair price to their former owners, if possible, at the end of the famine than to keep them at the risk and cost of the owners;
- (d) a certain number of she-buffaloes, ranging in age from two to seven years, should also be admitted as they will eat the inferior grass rejected by the bullocks and cows;
- (e) a small allowance of oil-cake (*sesamum*) should be given at first to the weaker animals.

Audit of account.

230. Whenever operations under this chapter are undertaken on an extensive scale, special arrangements for audit shall be made in the manner prescribed in section 196.

Miscellaneous.

CHAPTER XVIII.—MISCELLANEOUS.

Periodical reports and returns.

231. The following periodical reports and returns shall be submitted during the continuance of ^{scarcity} famine:—

By the Collector to Government—

- (a) a weekly season telegram in Form 6;
- (b) a weekly statement of rainfall and prices in Form 7;
- (c) a weekly progress return of relief works in Form 8;
- (d) a weekly progress return of gratuitous relief in Form 9;
- (e) a monthly report on the general progress of relief operations dealing with the matters noted in Form 10;
- (f) a monthly statement in Form 11 for submission to Government of India;
- (g) a monthly famine report in Form 12 for submission to Government of India.

By the Local Government to the Government of India—

- (h) a monthly statement in Form 11 accompanied by remarks in Form 12;

- (i) a monthly statement of death-rate in Form 13.
- (j) summary of famine statistics in Form 14.
- (k) a weekly statement of numbers on relief in Form 15.

Rules for the preparation of the monthly statements required by the Government of India are given in Appendix II. A list of reports and returns to be submitted by the several officers under the Code is given in Appendix IX.

232. All rules and orders of the Code regarding the methods of relieving the several classes of distressed persons shall be subject to the provision that, as far as possible, immediate relief is to be given to every one manifestly suffering from the want of food. Therefore, when the conditions brought to the personal notice of any officer disclose the urgent and obvious need for relief beyond his prescribed powers of sanction, he is expected to take action at once in anticipation of the sanction of superior authority, reporting immediately the action taken by him.

Immediate relief in all urgent cases.

233. Migrants should not ordinarily be interfered with except—

- (i) when they are obviously too weak to carry out the journey they propose;
- (ii) when it is known that the place to which they propose to go is unable to support them;
- (iii) when they are wandering aimlessly.

Immigrants from Native States.

On routes where migration is large, a regular chain of relief depôts should be established; the duties of the officers in charge being to sell to migrants, who are able to pay, what they want in the shape of grain and fodder; to relieve the manifestly destitute; to record the volume and character of the migration; to send early information to the authorities of the localities from which, and of the countries to which, the wanderers are moving; to tell the latter where they will probably best find what they seek; and to warn them against tracts suffering from scarcity. In treating applicants for relief no distinction should be made between those who come from British territory and those who have migrated from Native States. Should the volume of immigration from any Native State be so large and of such a character as to indicate the want of an adequate system of famine relief in that State, the Collector should call the attention of Government and of the Political Agent for the State concerned to the fact; but meanwhile he should treat the immigrants as if they were British subjects. No pressure should be put upon such immigrants to return to their homes until the Collector, after communication with the Political Agent, is thoroughly satisfied that the authorities of the Native State are in a position to take over and provide for them, and that there is no danger in sending them back. When the Collector is so satisfied, he should issue instructions for their collection on works and in poor-houses as the case may be, and in communication with the Political Agent of the State concerned, should make arrangements for their removal, and where necessary, for their support on the homeward journey. Such arrangements should be carried out as nearly as possible in the manner prescribed for drafting British subjects to their homes at the close of relief operations, the usual valedictory dole being given to those who would be given it if they were British subjects.

Miscellaneous.

Registration of births and deaths on relief works and in poor-houses.

234. It shall be the duty of the village officers of each village in which a relief work or poor-house is situated, to visit the work or poor-house daily; to open for the work or poor-house a separate Births and Deaths Register; and to enter in this camp or poor-house register all births and deaths which occur in the camp or poor-house. It shall be the duty of the Charge Officer or poor-house superintendent to cause all officers employed on the work or in the poor-house to supply to the village officers information of all births and deaths occurring in the camp or poor-house and of the medical officer to supply such information for the hospital.

Free collection of edible forest produce.

235. (a) When any reserved or protected Government forests, situated in a tract affected by scarcity or famine, contain an important supply of forest produce capable of being utilised as food for human beings, the Collector may apply to the Commissioner for permission to suspend for the time being any rules and regulations under the Indian Forest Act which do not permit of the edible forest produce to be utilised free of charge by persons in distress; and the Commissioner in consultation with the Conservator of Forests may, at his discretion, sanction the suspension of such rules and regulations.

(b) Similarly, the Collector shall have power to suspend any restrictions on the free consumption of edible forest produce in any Government waste lands, not being reserved or protected forests.

(c) Due publicity shall be given by proclamation in all the neighbouring tracts affected by scarcity or famine of the grant of these concessions and, subsequently, of the date from which they shall be withdrawn.

Supply of hutting materials, fuel, etc., from Government forests.

236. (a) When the position and character of any Government forests admit of hutting materials, fuel, handles for tools and other forest produce required for relief operations being obtained more cheaply and quickly from the forests than in the open market, such produce shall be supplied by the Divisional Forest Officers on requisitions from Executive Engineers and from other officers, to be named by the Collector, who are in charge of works or distribution of relief.

(b) The Divisional Forest Officer shall, in consultation with the officers concerned, arrange for the labour of procuring such produce and for the transport of it.

(c) The Executive Engineer shall, if necessary, procure and furnish any tools required in cutting the produce and for similar purposes.

Works to be carried out at ordinary rates.

237. When, in the opinion of Government, any work included in the sanctioned list of relief works in a famine area is of such a character, or requires to be executed with such urgency, as to demand the employment of ordinary public works labour at market rates, Government may exclude such work, in whole or in part, from the operations of the Code and direct that it be carried out under the ordinary rules of the Public Works Department.

Takávi advances.

238. The system of *takávi* advances, when administered prudently and with forethought, is an efficient instrument of relief to agriculturists

in time of famine. Liberal provision shall therefore be made, in the case of famine, for such loans; and special attention shall be paid to the following points:—

- (a) the Collector shall apply to Government from time to time for special allotments of funds for loans under both the Land Improvement Loans Act and the Agriculturists' Loans Act;
- (b) advances under both Acts are specially required *at the earliest stages of the famine*;
- (c) advances for seed and cattle shall ordinarily be disbursed in cash: advances for fodder may, when grass is being imported by Government agency, be made in kind;
- (d) subsistence advances may be given to cultivating occupants for the support of themselves and their labourers while engaged in cultivation, but it is not desirable to advance at one time more than is required by each recipient for one month;
- (e) special arrangements shall be made for the prompt disbursement of these advances and for ensuring that the advances are properly applied.

239. Allotments shall be placed at the disposal of Collectors for the immediate improvement of the water-supply for human beings and cattle, when such improvement is practicable and the Collectors think that the villagers require assistance (*vide* Appendix VIII).

Improvement of
water-supply.

240. (a) Care shall be taken that every possible facility is given for the free action of private trade, and that all obstacles, material or fiscal, are as far as practicable removed.

Attitude towards
private trade.

(b) All interference with the action of private trade in the supply of food in time of famine shall, as far as possible, be avoided.

(c) Only in very exceptional cases, and in the last resort, will Government take direct action to import grain; and Government will not interfere with private trade, as long as that trade is able and willing to place food within the reach of the distressed people.

(d) If compelled to interfere because grain is not in, or is withheld from, a local market, Government will do so only until the ordinary course of trade is restored, and will otherwise take action only to assist and stimulate, and not to supplant, the business of the traders in grain.

(e) No direct step to take the place of private trade shall be made by a Collector without at least the sanction of the Commissioner, and, if possible, of Government.

241. The Government supervising officers in the Railway Department shall, during a period of scarcity or famine, exercise increased vigilance and give special attention to the following matters, reporting to Government when necessary:—

Duties of Railway
Department super-
vising officers.

- (a) the detection of any abuse which may arise in the allotment of waggons when the demand for freight exceeds the carrying powers of any railway;

- (b) the provision, when required, of additional temporary storage sheds for the protection of grain at stations where traffic accumulates;
- (c) the necessity for giving precedence to food grains and fodder over other classes of traffic, when the traffic is in excess of the carrying power of any railway;
- (d) the securing of every possible facility for the distribution of grain and fodder to the districts where it is required;
- (e) the power of the Government of India to control the rates for the conveyance of grain and fodder by railway.

Distribution of charitable funds.

242. When money is subscribed by the public for the relief of distress and its distribution is entrusted to Government agency, such distribution shall be made with the following objects :—

Object I.—In supplementing the recognised system of State relief, *e.g.*,—

- (a) by gifts of cloths and blankets;
- (b) by gifts of extra or special food, or medical comforts, to the aged or infirm, persons of respectable birth, patients in hospitals, children and the like.

Object II.—In supplementing the relief of orphans, *e.g.*,—

- (i) during famine—
 - (a) by grants-in-aid to private orphanages;
 - (b) by extra comforts, of food and clothing, for orphans supported by the State;
- (ii) after the famine is over—
 - (a) by provision for the support and training of orphans left on the hands of the State;
 - (b) by grants-in-aid to societies or institutions supporting famine orphans.

Object III.—In relieving persons unwilling to accept State relief, *e.g.*,—

- (a) by free gifts or supply of work to poor but respectable persons and *pardanishin* women;
- (b) by employing in their own craft artizans for whom such work has not been organized by the State, and to whom labour on ordinary relief works would be a hardship;
- (c) by grants-in-aid to private poor-houses or similar institutions;
- (d) by maintaining or subsidizing shops for the sale of grain at cheap rates to selected persons in reduced circumstances.

Object IV.—In assisting with grants of money—

- (a) agriculturists in want of seed grain, plough or well bullocks or fodder for them, or implements of husbandry, or who require support during the interval between the sowing and the harvest;
- (b) artizans who have lost their tools or stock in trade or are otherwise in reduced circumstances;
- (c) persons leaving State relief to resume their ordinary avocations.

Correction Slip to the Bombay Famine Relief Code, 1912.
(No. XIII).

Page 69—

From section 243 *omit* the following words:—

Line 3—" in the first instance "

Line 4—" with the sanction of Government."

Lines 5-8—" If subsequently..... to 32—Miscellaneous."

(G. O., F. D., No. 2444, dated 8th August 1917).

PART III.

BEFORE AND DURING THE CONTINUANCE OF FAMINE.

CHAPTER XIX—ACCOUNTS.

A.—CIVIL.

(i).—*Provision of Funds.*

243. During the period of observation and test all expenditure, which, in accordance with the provisions of sections 294 to 298, is to be classified as expenditure on famine relief, shall in the first instance be recorded with the sanction of Government under the head "33—Famine Relief". If subsequently scarcity or famine is not declared, charges incurred on public works by the Public Works Department will be written back to the head "45—Civil Works", and other charges to "32—Miscellaneous". When Local Board works are utilised as test works, payments will be made by means of Local Board cheques and the expenditure will be brought to account under the ordinary rules of the Local Fund. Any expenditure incurred in excess of normal rates on account of the employment of unskilled and unprofitable labour on Local Board or Municipal works, utilised as test works, may, with the sanction of Government, be refunded to the local bodies concerned. Expenditure on poor-houses for the relief of wanderers through the police will, in the first instance, be met from the Collector's contingent grant under the head "32—Miscellaneous—Donations for charitable purposes", or

Accounts procedure to be followed during period of observation and test and when famine has been declared.

"Maintenance of indigent persons", and will be drawn on the prescribed contingent bill form. If the Collector's allotment under the head is insufficient, he should take steps to have it supplemented by reappropriation or otherwise. Urgent and necessary expenditure under this head must, however, be incurred and must not be postponed till a supplementary budget allotment is received.

Application for funds.

244. When famine is imminent, the District Officers shall submit to the Commissioner an estimate in Form 60 of the expenditure likely to be in-

curred on famine relief up to the end of the quarter ending {
September 30th
December 31st
March 31st
June 30th

next following. Thereafter he shall submit not later than the {
15th August
15th November
15th February
15th May

a similar estimate for the following quarter.

The Commissioner shall submit to Government an estimate for the districts under him, making any alterations in the Collectors' estimates he may deem necessary, and Government, on a consideration of this estimate, will assign such funds as may be requisite, reporting the matter to the Government of India for sanction to any additional grant, where such sanction is necessary under the rules in the Civil Account Code. Copies of the orders sanctioning the assignments shall be forwarded by Government to the Accountant General.

Allotment of grants.

245. The allotment of grants for direct expenditure shall be made in the following manner:—

- (a) When orders have been passed by Government on the Commissioner's estimate and an assignment of funds has been made, the Commissioner shall distribute at his discretion sums sufficient to meet the requirements of the affected districts under him, keeping a portion of his assignment as a reserve to meet unforeseen demands.
- (b) On the receipt of sanction to a grant the Collector shall arrange to assign the grants which he considers necessary under heads II, IV, V and VI, to the different disbursing and other officers, keeping any reserve which is necessary to meet additional demands from those officers. The expenditure of the officers shall never be allowed to exceed the grants thus sanctioned.
- (c) If the Collector finds his allotments insufficient, he shall submit to the Commissioner a supplementary estimate of the additional amount required. The Commissioner may then make a further allotment out of his reserve, or, if that is exhausted, authorise the expenditure in anticipation of a further assignment of funds from Government, for which he shall immediately apply.

(d) The Collector may transfer grants from one disbursing officer to another. He may also make transfers from one minor head to another, but must communicate such transfers to the Commissioner and the Accountant General. Transfers from one district to another in the same division may be sanctioned by the Commissioner and must be communicated to the Accountant General. Transfers from one division to another require the sanction of Government.

246. Simultaneously with the submission of the estimate to the Commissioner as provided in sections 244 and 245, the treasury officer should submit to the Accountant General an estimate of his probable cash requirements.

Treasury officer's estimate of cash requirements.

247. To enable the Commissioner to maintain a check over the allotments made to the districts against the amounts assigned by Government, a register in Form 61 shall be maintained in his office. From this he

Commissioner's register of allotments.

shall send on the $\left. \begin{array}{l} 15\text{th October} \\ 15\text{th January} \\ 15\text{th April} \\ 15\text{th July} \end{array} \right\}$ a statement to the Accountant

General showing for the quarter ending $\left. \begin{array}{l} 30\text{th September} \\ 31\text{st December} \\ 31\text{st March} \\ 30\text{th June} \end{array} \right\}$

- (i) the total amount assigned by Government for the division up to date;
- (ii) the total amounts allotted by the Commissioner to Collectors, including the amounts allotted in the present statement;
- (iii) the available balance of the divisional assignment.

248. The Accountant General shall keep a register of all assignments of funds made by Government, and shall submit to Government on or before the 20th of each month an account in Form 62 showing the charges incurred in each district up to the end of the month for which the accounts have been closed. A copy of the account may also be furnished to the Famine Commissioner, if any, direct by the Accountant General.

Accountant General's register of allotments and monthly account to Government.

249. Grants for indirect expenditure in connection with the famine shall be regulated according to the usual rules applicable to the offices and departments in which it is incurred. A register of such charges in Form 63 shall be maintained by the head of each office from which they are disbursed.

Grants for indirect expenditure.

250. As the greater part of civil relief expenditure has, from the nature of the case, to be incurred before cash can be drawn from the

Permanent advances and their distribution

treasury on regular bills, a suitable permanent advance shall be arranged for in each district in the following manner:—

- (a) At the commencement of relief operations the Collector shall apply to Government for a suitable advance, the amount of which will mainly depend on the extent to which village works, village kitchens, cash dole and poor-houses are being organized.
- (b) When the permanent advance is sanctioned, the Collector shall allot portions of it to such-subordinate officers as have to distribute relief. Ordinarily he shall allot the greater portion to the Mámíatdárs or Relief Mámíatdárs of affected tálukas, who in their turn shall distribute the amount among managers of village works, superintendents of poor-houses and village kitchens, village officers of villages where cash dole is given, Circle Inspectors and any other disbursers of casual relief. Advances shall also be given to the Special Relief Officer, and to the District Superintendent of Police for affording casual relief to wanderers through the police.

Disposal of permanent advances.

251. (a) After drawing the permanent advance the Collector shall send an acknowledgment for the whole amount to the Accountant General. Each officer distributing a portion of his permanent advance shall obtain acknowledgments for the sums distributed.

(b) If in any case the permanent advance proves insufficient for immediate requirements, a temporary advance may be drawn from the treasury on the authority of the Collector's certificate declaring it to be necessary, and the fact should be reported by telegram to the Commissioner and to the Accountant General. The treasury officer is authorised to make such advances. If the money is required only for a temporary purpose, it should be adjusted as soon as possible by the submission of a vouched bill, and if required permanently, the sanction of Government should at once be applied for.

(c) Charges for establishment at fixed monthly rates shall not ordinarily be paid from the permanent advance. Otherwise there is no restriction as to the nature of the charges which may be paid from it.

Recouping of advances.

252. Disbursing officers who have received permanent advances shall recoup their expenditure from time to time by submitting bills, accompanied by the necessary vouchers, in the forms and manner prescribed for the various forms of relief in the Code and its appendices.

Refund of permanent advances.

253. When relief operations in a district have ceased, the amount of each permanent advance shall be refunded without delay into the district treasury or nearest sub-treasury. To ensure this being done, the Accountant General should fix a date by which each officer should be separately called upon to refund the advance or advances taken by him: the Collector should then see that no advance is outstanding and report the fact to the Accountant General.

(ii).—*Method of drawing and accounting for famine charges.*

254. (a) In the distribution of permanent advances referred to in section 250 the objects to be kept in view are, first, that facilities should be given for the engashment of bills with the least possible delay by authorising, if necessary, direct payment at the nearest sub-treasury of bills of officers holding a portion of the advances; secondly, in order to avoid the objections and unnecessary correspondence which result from the submission of defective bills, that power to draw money from the treasury should not be given to any class of officers who cannot be trusted to draw out bills in proper form. The class of officers authorised to cash the bills will be specified by Government.

Funds to be obtained from permanent advances.

(b) The amount outstanding in permanent advances should be kept as low as possible, and inspecting officers should keep the matter in view and adjust the sum which each officer is authorised to hold as closely as possible to the varying conditions of his charge.

255. Each disbursing officer shall keep a cash book in Form 23 in which he shall enter all the sums received by him, for the purpose of famine expenditure on behalf of Government, from the treasury and other sources and all the payments made by him in the order of their occurrence (except salary and establishment charges of his own office which should not find any place in the cash book). This cash book will include on the receipt side all sums drawn by the officer on bills.

Cash book.

256. Bills shall be drawn in the manner and forms prescribed in the Code and its appendices, except those for—

Bills and vouchers.

- (a) salaries, travelling allowances, office contingencies and payments to contractors for supplies received, which shall be in the forms prescribed by the Civil Account and Public Works Codes, *viz.*,
- (i) salary of gazetted officers—on salary bill forms;
 - (ii) salary of establishment—on establishment bill forms; but the pay of posts on less than Rs. 10 a month, which are not held by permanent Government servants, can be drawn on contingent bill forms;
 - (iii) travelling allowance—on travelling allowance bill forms;
 - (iv) all other kinds—on contingent bill forms.
- (b) advances for land improvements and to agriculturists, which shall be in the special forms prescribed in the rules under which the advances are granted.

257. A bill for establishment shall, subject to the provisions of section 256, be always made out in full detail on the usual establishment bill forms, whether it is intended to draw the amount from the treasury on such bill or on some other account to which such bill will be attached as a voucher. It shall ordinarily cite the authority of Government or other constituted authority under which the establishment has been entertained. When in emergent circumstances the previous sanction of Government or other authority cannot be obtained, the charge may be passed on production of a certificate to that effect but the necessary sanction must

Establishment bills to be drawn up in full detail on proper forms and to quote sanction.

be obtained and submitted as soon as possible. Wages of employees on daily wages shall be drawn on the daily muster rolls and abstracts.

Payment of salaries.

258. (a) In the case of a person not in Government employ, the order of appointment shall state the pay and allowances of the post and the period for which it is sanctioned; and this shall be regarded by the disbursing officer as the authority to pay.

NOTE.—The copy of appointment order handed to a *temporary* employee should not contain any reference to the period for which the appointment is sanctioned.

(b) In the case of an officer transferred from another department, the order of appointment shall state the pay and allowances to which he will be entitled for famine duty and the period for which he is transferred. The regular last pay certificate shall be sent through the ordinary channel, but a provisional certificate shall be granted by the disbursing officer of the department from which he is transferred; and this shall be regarded as authority to pay by the disbursing officer of the department to which he is transferred. The Executive Engineer shall give such officers employed under the Public Works Department an advance of one month's pay on joining their new appointment.

NOTE.—The last pay certificate (regular or provisional) should state what allowances, if any, will cease on the transfer.

(c) Special attention is necessary to the *prompt* submission of appointment orders and last pay certificates, in order that the payment of salaries may not be delayed.

(iii).—*Control and Audit.*

Principles of control and audit.

259. The general principles to be followed in the control and audit of famine relief expenditure are—

- (a) that any attempt at over-minute control in matters of detail defeats its own purpose and that the objects aimed at should be to check expenditure *while it is being incurred*, and to prevent fraud and serious irregularities rather than to secure minute accuracy in every detail;
- (b) that the most effective check in preventing waste and fraud lies in the hands of the executive officers who are in charge of the operations;
- (c) that the subsequent audit of accounts should be decentralised, as far as possible, by arranging for the check of expenditure in the districts in which it is incurred, and by giving executive and controlling officers power to dispose of objections of small importance and to write off petty discrepancies.

In order to give effect to these principles, the ordinary rules of audit will be modified as follows in respect of famine accounts, but the rules that follow apply in full only to districts to which the Accountant General has deputed test auditors and famine accountants. In all other districts the famine accounts will receive the same attention and be subject to the same rules, as far as possible, as the districts with famine accountants, but the accounts and vouchers will be sent with the usual treasury accounts to the Accountant General for final audit.

260. Subject to the test-audit referred to in section 266 the final audit of all payments charged to "33—Famine Relief" shall, except as provided in note 1 to section 264, rest with the Collector.

Final audit to rest with Collectors.

261. In districts where famine is extensive and work heavy, the duty of examining each bill may, with the sanction of the Commissioner, be delegated to one or more selected Gazetted Assistants, but in no case should the officer selected be an officer disbursing famine expenditure. The Accountant General should be informed of all such delegations.

Delegation of powers of Collector regarding examination of accounts.

262. (a) The duties of executive officers in the matter of checking accounts in the several branches of relief are explained in detail in previous chapters of the Code and in Appendices IV and V.

Checking of accounts by executive officers.

(b) The main points requiring attention in audit are—

- (i) that the expenditure is warranted by orders of competent authority and that it is necessary for the due administration of relief and not greater than the occasion demands;
- (ii) that bills and accounts of expenditure are signed by the proper persons, and are supported by the necessary vouchers and other papers;
- (iii) that vouchers are in order and that the details of all figures work up to the totals;
- (iv) that there are no erasures and that any alterations are attested by the officer concerned;
- (v) that in all cases in which it is prescribed that agreement should be effected between two different documents, the fact of the agreement should be noted on both the documents and duly initialled;
- (vi) that the document appears after due examination to be genuine in all its parts.

(c) Special attention must be paid to the weekly charge progress report (Form 20), which affords the best means of checking expenditure on public works.

263. (a) All bills on which money is drawn from the treasury shall be returned after payment to the Collector, who will give to the treasury officer a receipt for the bills returned, specifying the amount paid on each. This receipt may be in the form of an invoice. It will constitute the treasury officer's voucher for the debit in his accounts as rendered to the Accounts Department.

Audit of accounts by famine accountant and test auditor and review by Collector.

(b) The bills shall then be made over to the famine accountant, who shall check them and audit them in every way, classifying and compiling the accounts and checking all calculations and totals. They shall then be re-audited in every item by the test auditor, whose audit shall be a complete check on the work of the famine accountant.

(c) The bills shall then be presented for review to the Collector. In carrying out this review, the Collector shall first dispose of the objections raised by the test auditor by issuing necessary orders on the objection statement of items of Rs. 100 and less, and by rendering any explanation on the objection statement of items over Rs. 100, which

should be submitted to the Accountant General. He shall then take up the accounts generally, and if he has not already examined each bill in its initial stage but has delegated the duty as laid down in section 261 he shall select at random not less than 5 per cent. of the bills and shall review them, seeing that the charges are legitimate and the rates correct, but he shall not be required to check calculations or totals. This duty of review shall not be delegated to any other officer. If the Collector has already checked each bill in its initial stage he need only satisfy himself on any points which appear to him to require explanation.

Accountant General to depute a senior auditor to each district office.

264. The Accountant General shall place at the disposal of the Collector in each famine district a clerk of the standing of a senior auditor to work as accountant under him, to receive all famine bills, accounts and returns, to check and audit them in every way and to submit them to the Collector for review.

NOTE 1.—The salary and travelling allowance bills of gazetted and military officers shall be forwarded to the Accountant General for audit.

NOTE 2.—The intention of the rule is that both the executive check ordinarily applied by the Collector and the technical audit, which ordinarily takes place in the Accountant General's office, should remain with the auditor, the district staff being responsible only for the proper compilation of the bills to be drawn by the Collector.

Instruction by audit parties.

265. The Accountant General shall also organize one or more audit parties to tour in the famine area for the purpose of instructing all officers concerned in the proper preparation of the various registers and accounts which each has to keep or submit. The precise strength and composition of the party or parties must depend on local resources, and the recommendations of the local authority if these prove inadequate.

Test audit.

266. In addition to its work of instruction, the local audit party shall conduct test-audits of accounts at district headquarters, submitting to the Collector a memorandum of errors discovered and reporting to the Accountant General any grave irregularities or defects that may come to light. The Accountant General shall, thereupon, take such action to inform the Commissioner or to report to Government as may seem to him fit.

NOTE.—The local audit party should pay special attention to the audit of establishment and travelling allowance bills and the disposal of objections.

Examination of bills drawn on sub-treasuries.

267. When bills are drawn by subordinate officers on sub-treasuries they shall be transmitted weekly by the treasury officer to the Collector who shall see that the amounts drawn correspond with those shown in the departmental returns and accounts submitted to him by subordinate officers direct under the provisions of the departmental codes. Any amount disallowed by the Collector shall be intimated to the officer concerned for short drawal in his next bill. Each bill shall be endorsed as admitted in full, or in part as the case may be, the endorsement being initialled by the Collector.

Register and return of famine expenditure.

268. The Collector shall maintain a register of famine expenditure in Form 64 in which he shall post all bills drawn at the treasury or a sub-treasury. On the third of each month he shall prepare from this register a consolidated statement in Form 65 in respect of all bills charged off in the headquarters treasury accounts during the preceding month and

shall submit one copy to the Accountant General and one copy to the Commissioner. The total expenditure shall be verified by the treasury officer. The copy of the statement rendered to the account office shall be accompanied by the salary and travelling allowance bills of gazetted and military officers. After all the bills are audited the entries in the register of expenditure should be examined and corrected, if any change is made in the classification during the course of audit, and a revised statement in Form 65 bearing the certificate of audit should be submitted to the Accountant General on or before the 20th of the month.

269. (a) Should the size of a district or the magnitude of relief operations render it desirable, Government may direct that any Sub-divisional Officer shall perform, in respect of his sub-division, all the duties of check and audit hereinbefore imposed on the Collector. In such a case the sub-treasury officer shall return all bills to the Sub-divisional Officer after payment. For the bills so returned the Sub-divisional Officer will give a receipt to the sub-treasury officer, specifying the amount paid on each; this receipt may be in the form of an invoice and will constitute the sub-treasury officer's voucher for the debit in his accounts as rendered to the treasury officer.

Audit by Sub-divisional Officer in certain circumstances.

(b) The Sub-divisional Officer shall prepare each month a consolidated statement in the same form and in the same manner as the district statement, of all charges drawn from the sub-treasury up to the last date for which amounts drawn from the sub-treasury are included in the head-quarters treasury accounts, and shall submit it with the bills to the Collector for incorporation in the district statement.

(c) If Government consider it necessary the Accountant General will be asked if possible to depute a clerk of the standing of a senior auditor to work as accountant under the Sub-divisional Officer.

B.—PUBLIC WORKS.

(iv).—*Provision of Funds.*

270. When it is decided to open departmental works, the Collector, in consultation with the Executive Engineer, shall prepare an estimate of the funds required to the end of the month next following and submit it to the Commissioner.

Estimate of funds required.

271. The Commissioner shall examine these applications and forward them to Government in the Public Works Department for the allotment of funds. Thereafter the Collector or the Executive Engineer in consultation with the Collector shall submit not later than 15th of each month a similar application for the following month. When the orders of Government on the applications are issued to the Commissioner, a copy of them will be sent to the Accountant General, who will accept this as authority for the issue of letters of credit for the supply of funds to the Executive Engineers concerned.

Allotment of funds by Government.

Accounts.
Supplementary applications.

272. If during the course of a month the assignment for any district is found to be insufficient, a supplementary application should be submitted.

NOTE.—The provision in section 243 about procedure in urgent cases applies also to the case of expenditure in the Public Works Department. (Overdrafts should however be avoided as far as possible by submitting supplementary applications by wire for any additional funds required owing to the exhaustion of a letter of credit.)

Financing of Sub-divisional Officers.

273. (a) The Sub-divisional officer shall be kept in funds by the Executive Engineer in the ordinary way. In consultation with the district officers, convenient sub-treasuries shall be selected as paying centres, and notice shall be given monthly by the Executive Engineer to the treasury officer of the demands likely to be made on the sub-treasuries during the following month, stating as precisely as possible the proportion of small silver and other coins.

(b) The ordinary Public Works Department rule that an imprest shall not exceed Rs. 1,000 does not apply to the advances made for famine public works, but Government shall fix a maximum for imprests at its discretion.

(v).—*Method of accounting for famine charges.*

Famine accounts to be kept separate.

274. The famine accounts of each Sub-divisional Officer and Executive Engineer shall be kept entirely separate from the ordinary accounts of his office. They shall keep a separate cash-book in Public Works Department Form No. 4, a cheque-book or cheque-books and a treasury pass-book and remittance-book.

Detailed rules regarding accounts on public works.

275. Detailed rules as to the accounts to be kept on relief works are given in Chapter VII and Appendix IV of the Code and in sections 270 to 293 dealing with Public Works. Subject to these rules the rules in the Public Works Department Code apply.

Officer in charge to submit weekly to Sub-divisional Officer a copy of his cash-book and a charge progress report.

276. The officer in charge of a relief work shall submit weekly to the Sub-divisional Officer along with the weekly progress return (see section 93)—

- (a) a copy of his cash-book in Form 27 with proper vouchers for all charges for salaries and allowances of gazetted officers and fixed establishments, also for service labels and service telegrams and money order commissions, and for all contingent items of more than five rupees;
- (b) a weekly voucher for wages and cash allowances in Form 32;
- (c) a copy of the hospital accounts; and
- (d) a copy of the kitchen accounts.

(vi).—*Control and Audit.*

Necessity for prompt scrutiny of all returns by Executive Officers.

277. (a) For the efficient control of relief operations it is essential that there should be a prompt scrutiny and check of all returns by officers acquainted with the local conditions, and that this check should

include the figures for expenditure as well as those for persons relieved and work done. In view of this fact the ordinary rules of audit will be modified as follows in respect of famine accounts, but the rules that follow apply in full only to districts to which the Accountant General has deputed test auditors and famine accountants. In all other districts the famine accounts will receive the same attention and be subject to the same rules, as far as possible, as the districts with famine accountants, but the accounts and vouchers will be sent to the Accountant General for final audit. Sanction to estimates for famine relief works and tools and plant will be communicated by Government to the Accountant General in all cases where there are no test auditors and famine accountants. In cases where there are test auditors and famine accountants such sanctions need not be communicated.

(b) It is of the first importance that the accounts should be sent up by Sub-divisional Officers to the Executive Engineer in proper form, and Sub-divisional Officers should be given additional staff as required for the purpose, but they will be required to do no more in the case of famine than in the case of ordinary works, and the regular audit will be no part of their business. The check of the accounts will, subject to the test audit applied by the travelling parties of auditors, continue to be performed solely in the divisions and no part of this work is to be made over to the sub-divisions.

278. The Accountant General shall arrange to strengthen the accounts branch of the office of each Sub-divisional Officer in the famine area by the addition to it of one or more trained accounts clerks, and of each Executive Engineer by the addition of an accountant and one or more trained accounts clerks, as may be necessary.

Accountant General to arrange to strengthen accounts section of Sub-divisional Officer's and Executive Engineer's offices.

279. In addition assistance will be given by the audit parties appointed under section 265 to all officers concerned in the proper preparation of the various registers and accounts which each has to submit.

Assistance by audit parties.

280. In addition to its work of instructions the local audit party shall conduct test-audits of accounts at divisional head-quarters and on the works, submitting to the Executive Engineer a memorandum of errors discovered and reporting to the Accountant General any grave irregularities or defects that may come to light. The Accountant General shall thereupon take such action to inform the Superintending Engineer or to report to Government in the Public Works Department as may seem to him fit.

Test audit.

281. The local audit party should pay special attention to mustering and the test-audit of musters on the works as well as to the audit of establishment charges and the disposal of objections, and carefully watch the actual payment of labour by the cashiers.

Duties of audit parties.

282. The Sub-divisional Officer, on receipt of the weekly papers from each charge, shall examine the copy of the cash book with a view to seeing that credit has been given for the sums supplied by him to the

Examination of accounts by Sub-divisional Officer.

officer in charge, and that the total expenditure, less wages undischarged and credited in the cash book, agrees with the expenditure shown in the weekly charge progress return. He shall also examine the contingent and other vouchers to see that they are in order. He shall then scrutinize the return closely with special reference to the following points, *viz.* :—

- (a) the correctness of the price-basis ;
- (b) the number of persons shown under each head as compared with the total number on the work ;
- (c) the progress of the work and the extent to which full tasks are performed ;
- (d) the expenditure on wages as compared with the cost of the work at the standard rate ;
- (e) the expenditure under each head as compared with the expenditure on wages of workers directly employed in executing the work in hand ;
- (f) the progress of the expenditure as compared with the sanctioned estimate.

NOTE 1.—In examining the accounts, attention should be paid to the points mentioned in section 262.

NOTE 2.—As the risk of frauds is specially great in the payment of unpaid wages, any debit in the cash book on account of the payment of such wages (once they have been credited as unpaid) should be accompanied by a certificate stating that the payment has been made under the orders and in the presence of an officer who should be nominated by the Collector.

Returns by Sub-divisional Officer and by Executive Engineer.

283. The Sub-divisional Officer having examined the weekly accounts of each charge, shall forward all copies of cash books with vouchers to the Executive Engineer with a note of any matters on which he has taken action or on which he requires orders. He shall at the same time submit a copy of his own cash book for the same week, together with vouchers for salaries and allowances of gazetted officers and fixed establishment charges, for telegrams and postage charges and for contingent items of more than ten rupees and two notes, one showing the remittances made by him but still in transit at the close of the week and so not credited in the accounts of the charges concerned, and the other showing the expenditure incurred by him for each charge but off the charge.

Examination of accounts and returns by Executive Engineer.

284. The Executive Engineer shall examine the papers submitted to him by the Sub-divisional Officer with a view to seeing that remittances shown as in transit in the previous week have since been credited in the appropriate charge cash book, that the expenditure shown in each cash book, less wages undischarged and credited in the cash book, agrees with that shown for the charge concerned in the weekly district progress return and that the vouchers are in order. He shall then scrutinize the return in the manner prescribed for the Sub-divisional Officer in respect of each charge progress return. If any item of expenditure is disallowed by the Executive Engineer an endorsement to that effect shall be made on the account concerned.

Accounts.

285. As soon as possible after the last Saturday of each month the Executive Engineer shall submit to the Accountant General a divisional statement of the cash and treasury balances on that date together with a treasury balance certificate (Public Works Department Forms Nos. 20-A and 20-B). For the purpose of this statement the cash shown as with each officer in charge shall be the cash balance shown in his charge progress return submitted on the last Saturday of the month. The cash shown as with the Executive Engineer and his Sub-divisional Officer shall be that only which is held on account of famine operations, and must not be confused with their ordinary cash balances. The Executive Engineer shall also report by wire to Government in the Public Works Department not later than the 5th of each month the cash and treasury balances and the expenditure up to the last Saturday of the preceding month.

Monthly statement of balances by Executive Engineer to Accountant General and telegraphic report to Government.

286. In addition to the cash balance return, the Executive Engineer shall submit not later than the last day of each month to the Accountant General the following returns in respect of each revenue district in his Division, the returns to include figures up to and including the last Saturday of the preceding month in respect of expenditure of his own office and of his Sub-divisional Offices and by officers in charge of relief works :—

Monthly return of receipts and expenditure by Executive Engineer to Accountant General.

- (a) A return in Form 66 of receipts (other than wages refunded as undischarged) showing separately receipts paid into treasuries and receipts by officers in charge of relief works which will not be so paid in, such as deductions made from salaries, etc.
- (b) A return in Form 67 of expenditure. This return will show all expenditure on relief works debitable to the head "Famine Relief" and will be obtained by deducting from such expenditure shown in the cash books items of receipt on account of wages undischarged and refunded.

287. (a) The cost of establishment not employed on any particular work, but debitable to the head "Famine Relief," shall be proportionately distributed between—

Distribution of cost of general establishment and of tools and plant.

A.—Communications—

- (1) Earthwork on roads,
- (2) Stone metal collection,
- (3) Kankar collection ;

B.—Miscellaneous Public Improvements—

such as non-irrigation tanks and embankments, drainage channels, clearing village sites, etc. ;

C.—Irrigation—

- (1) Earthwork on canals,
- (2) Irrigation tanks,
- (3) Irrigation embankments ;

D.—Construction of railways.

(b) The cost of tools and plant, not debitable to a particular work in any week, shall be charged to the work 'Unopened charges' under the head 'A—Communications—(1) Earthwork on roads,' which will be treated in all respects as a separate work. When any such tools and plant are subsequently sent to any particular work, their cost will be transferred from "Unopened Charges" to the head under which the work in question is classified. At the close of the famine, should any amount still remain under "Unopened Charges," a final proportionate distribution of that amount shall be made between the different classes of works.

Cheques not to be included in monthly return.

288. Cheques drawn for the financing of relief works should not be included in the Executive Engineer's monthly return, as they will have been already accounted for as receipts by officers in charge of works or in the memorandum of uncashed cheques on Public Works Department Form No. 20-B.

Certificate of audit.

289. To the return of expenditure will be attached a certificate of audit signed by the Executive Engineer. The salary and travelling allowance bills of gazetted officers shall also be forwarded with it for audit in the Accountant General's office.

Expenditure incurred out of famine allotments, but not debitable to famine.

290. The Executive Engineer shall also submit a divisional return, in Form 68 of expenditure incurred out of famine allotments, but not debitable to the head "Famine Relief". Salary bills and other vouchers (if any) will be attached to this return for purposes of adjustment by the Accountant General. In the case of a payment on account of salary, the gross amount will be shown in the money column and deductions will be shown in detail in the "remarks" column of the return.

March returns.

291. For the month of March the returns submitted by the Executive Engineer shall include figures up to the end of the month in respect of receipts and expenditure of his own office and of his sub-divisional offices and by officers in charge of relief works, and the cash balance return shall include their cash balances at the close of the month. Special arrangements should be made with the Charge Officers to have the returns for the day or days of March after the last Saturday of that month prepared separately and submitted as for any ordinary "week." The returns for the remaining days of the week ending with the first Saturday in April will be similarly prepared and submitted separately.

Monthly tool return.

292. (a) The Sub-divisional Officer shall obtain from each officer in charge of a relief work a monthly tool return, in Form 69 and shall submit a consolidated return monthly for his sub-division in the same Form to the Executive Engineer.

(b) In the consolidated return, the receipts during the month will include all receipts from the divisional stock and fresh purchases, whether made by himself or by officers in charge of relief works. The balance in store will be the balance in the sub-divisional store, all tools on relief works being included in the balance on works.

(c) No return of tools need be forwarded to the Accountant General.

293. Each Executive Engineer and Sub-divisional Officer shall keep up a register of works in Form 70. The cost of tools and plant supplied to each work should be entered in the form, but not the proportionate cost of establishment which is not employed on a particular work.

Register of works.

NOTE.—Such proportionate cost can at any time be calculated in respect of any particular work of which it is desired to know the precise cost.

C.—GENERAL.

(vii).—Classification of expenditure.

294. (a) The pecuniary transactions in connexion with famine relief other than those relating to private benefactions, such as a charitable relief fund raised by private subscription, fall under the following three heads—

Classification of transactions.

- (i) expenditure finally chargeable to the general revenues of Government;
- (ii) advances made by Government on condition of re-payment, with or without interest;
- (iii) expenditure from Local Funds.

(b) Expenditure finally chargeable to Government is either—

- (i) direct, *i.e.*, incurred exclusively on famine relief and debitable to the major head “33—Famine Relief”; or
- (ii) indirect, *i.e.*, incurred in other departments, etc., debitable under the major heads to which the cost of these departments is charged.

(c) Only expenditure incurred directly and immediately for the relief of distress arising from calamities of season, such as pay and travelling allowance of establishments employed exclusively on famine relief, wages and other expenditure connected with relief works and relief administered to people in poor-houses and kitchens and at their homes, etc., shall be treated as ‘direct’ famine expenditure.

Direct expenditure.

(d) Expenditure incurred for the following purposes shall be treated as ‘indirect’ expenditure and charged to the appropriate service head:—

Indirect expenditure

- (i) additions to sanctioned establishments in the revenue, police, medical and other departments;
- (ii) compensation to Government servants and soldiers for dearness of provisions;

- (iii) extra travelling allowance to revenue, police, medical and other officers and extra contingencies required for existing offices;
- (iv) extra accommodation in permanent hospitals;
- (v) public works undertaken in consequence of the occurrence of famine, but not directly for the employment of famine-stricken people and not therefore treated as relief works;
- (vi) compensation for land acquired for relief works.

Classification of charges for officers and establishment.

- NOTES.—(i) In the case of an officer or member of an establishment already in the service of Government (other than an officer in military employ proper) his salary and allowances, together with his contingent expenditure, shall be charged to the ordinary service head when he is merely an addition to an existing establishment, which requires strengthening owing to famine work; but when he is detached altogether from his own regular duties and is employed exclusively on famine relief, his salary and allowances together with his contingent expenditure shall be charged to the head "33—Famine Relief."
- (ii) The pay and allowances of an establishment specially entertained for, and wholly employed on, famine relief, shall, together with its contingent expenditure, be debited to the head "33—Famine Relief."

[N.B.—In no case is the cost of medical establishment chargeable to Famine Relief.]

- (iii) In all cases falling under notes (i) and (ii) travelling allowances to and from the work and also while engaged on the work, as well as pay and allowances during transit, shall be debited to the head to which the salary of the official while actually employed on the work is debited.
- (iv) The whole of the pay and allowances, including deputation and travelling allowances, of commissioned, non-commissioned and warrant officers of the Military Department or Military Works Services employed on work connected with famine shall be paid, in the first instance, by the Civil Department under the following arrangements :—
- (a) The Account Officer of the Military Department or the Military Works shall intimate to the Accountant General the military or departmental pay and allowances to which the officer is from time to time entitled; the full amount admissible to him consisting of (i) the pay and allowances certified as admissible by the Military or Military Works Account Officer, (ii) the additional pay and allowances, such as deputation or travelling allowances which the officer would not have received but for his employment on famine duty, shall then be disbursed in the Civil Department, and the former shall be passed on by the Accountant General to the Military Account Officer for audit and adjustment, while the latter, viz., the additional pay or allowances, shall be adjusted as a final civil charge under '33—Famine Relief';
- (b) in the same way, when such officers are employed on famine duty under the Public Works Department, the Military or Military Works Accounts Office shall inform the Accountant General as to the officer's pay and allowances, and the Accountant General shall arrange to disburse the whole of the pay and allowances admissible, adjusting the portion debit to the head '33—Famine Relief' in his accounts, and passing on the remainder to the Military Department or Military Works Services, as the case may be;
- (c) any additional charges actually incurred in the Military Department or Military Works Services in consequence of the absence of an officer on famine duty in the Civil Department shall be passed on, by the Military Account Officer concerned, to the Civil Department for adjustment under '33—Famine Relief'

Salaries of military officers.

295. Expenditure debited to "33—Famine Relief" shall be classified as follows, and this classification shall be observed in all accounts vouchers and returns :—

I.—Salaries and Establishment—

1. Salaries, special relief officers.
2. Establishments—
 - Clerks and other superior establishments.
 - Inferior establishments.
3. Travelling allowance.
4. Contingencies.

II.—Village works, non-departmental or Civil—

- (a) Communications—
 - Wages of labour.
 - Other expenditure.
- (b) Miscellaneous public improvements—
 - Wages of labour.
 - Other expenditure.
- (c) Irrigation—
 - Wages of labour.
 - Other expenditure.

III.—Public Works—

- (A) Communications—
 1. Earthwork on roads—

Works	{	(a) Wages of workers. (b) Work establishment. (c) Shelter. (d) Miscellaneous expenditure. (e) Gratuitous relief [including rest day allowances, etc.] (f) Establishment. (g) Tools and plant.
-------	---	---
 2. Stone metal collection—
 - (a) to (g) as above.
 3. Kankar collection—
 - (a) to (g) as above.
- (B) Miscellaneous public improvements—
 - (a) to (g) as above.
- (C) Irrigation—
 1. Earthwork in canals—
 - (a) to (g) as above.
 2. Irrigation tanks—
 - (a) to (g) as above.
 3. Irrigation embankments—
 - (a) to (g) as above.
- (D) Construction of railways—
 - (a) to (g) as above.

IV.—Relief to people employed otherwise than on relief work (e.g., relief to weavers in their own trade).

V.—Gratuitous relief—

(a) Given in Government institution

1. Poor-house charges—

Diet.

Other expenditure.

2. State kitchens—

Diet.

Other expenditure.

3. Orphanages—

Diet.

Other expenditure.

(b) Given at the houses of the people

(c) Given in other ways.

VI.—Miscellaneous—

1. Advances for aided private works.

2. Advances to artizans.

3. Measures for the protection of cattle.

4. Other expenditure.

Any further detailed heads which may be required shall be settled by the Accountant General in communication with Government. Subject to the special provision of the Code, expenditure under heads II and IV to VI shall be dealt with generally in the manner prescribed in the Civil Account Code for contingent charges.

Debit of expenditure.

296. (a) All amounts paid to Government officers from the treasury for meeting famine relief expenditure (except such permanent advances as may be allowed under special or permanent orders) shall be finally debited as famine relief expenditure in the accounts of the month in which the payments are made, and under no circumstances shall such payments be treated or debited in the accounts as 'Advances'.

(b) Subject to the rules of inter-departmental adjustments all charges incurred under the direct orders of the officers of the Civil Department shall be finally debited in the accounts of the Civil Department, and the charges for works under the control and management of officers of the Public Works Department, as well as the salaries and allowances of officers specially entertained in that Department for famine duty, shall be paid for in the Public Works Department and finally debited in the accounts of that Department.

Classification of
public works
charges.

297. (a) Public works undertaken in consequence of the occurrence of famine but not directly for the employment of famine-stricken people, and not therefore treated as relief works, will be classified in the accounts as ordinary public works are classified; save that any expenditure in excess of normal rates incurred in consequence of the employment for relief purposes of unskilled and unprofitable labour, will be transferred to the head "33—Famine Relief."

(b) Public works expenditure which is undertaken directly for the relief of famine and controlled and managed under the conditions applicable to famine relief works will be charged to "33—Famine Relief," whether the work is or is not one which would have at

some time or other to be undertaken irrespectively of famine; but if the work on which famine labour is employed is a revenue-producing work in respect of which a Capital Account is kept (whether within or without the Revenue Accounts of the Government) the value of the work done, reckoned at ordinary rates, will be charged to the ordinary head of account, and the excess only debited to "33—Famine Relief".

298. (a) Expenditure on village works, the cost of which is to be borne entirely by the State, shall be shown under 'II—Village Works'.

Advances and Loans.

(b) Advances of money, whether wholly or partly recoverable, made to landholders for the purpose of employing labour under famine relief conditions and restrictions, shall be made under the provisions of the Land Improvement Loans Act so as to be recoverable as arrears of land revenue, interest being charged at the usual rate on the portion recoverable, but they shall be charged in the first instance to "Famine Relief—VI Miscellaneous: Advances for aided private works". On the close of famine relief operations or earlier, if possible, the amount to be recovered shall be settled by Government, and that amount shall then be transferred in the accounts by deduction from famine relief expenditure to the debit of "R. B. Provincial Advances and Loan Account; Advances to cultivators:—Advances for aided works", recoveries being credited to the latter head.

(c) Advances for the financing of artizans shall be similarly accounted for.

(d) All other advances made under the Land Improvement Loans Act or the Agriculturists' Loans Act, including land improvement advances in famine districts made under the ordinary rules, though on a larger scale, and advances made to occupants, to provide them with the means of subsistence while engaged in cultivation, shall be dealt with under the ordinary rules and not shown as famine expenditure.

(viii).—*Miscellaneous.*

299. (a) On the appointment of a medical subordinate to famine relief work, the Surgeon General shall forward an order of appointment to the officer himself and a copy of it to the Accountant General as well as to the famine officer under whom the subordinate will work, or, if he cannot ascertain this, then to the Collector of the district to which the medical subordinate is posted, who will forward the order to the proper quarter. The order of appointment shall be in the following form:—

Payment of medical subordinates.

You are hereby informed that you are entitled from the date of taking charge of your duties in connection with famine relief in the district of _____ to allowances at the rate of _____ per mensem. You should draw your allowances monthly at the District Treasury on a pay bill in the accompanying form, after getting the certificate at the foot signed by the officer in charge of the work or hospital at which you are employed. If you are at any time transferred to another work or hospital, you should

take with you a pay bill for the period up to the date of leaving, having the necessary certificate duly signed by the Executive Engineer or other gazetted officer in charge, and if your transfer is to *another district* you should in addition to taking the pay bill as above immediately intimate the fact of your transfer to this office and to the local treasury officer and obtain from him a last pay certificate before leaving.

(b) The bills for employment on famine duty shall be in a special form for use by medical subordinates* only and they shall bear at the foot a certificate in the following form:—

Certified that A. B. was employed on famine duty under me from
to and was in transit
from † to

*Signature of Executive Engineer,
or other gazetted officer in charge of the relief work. ‡*

(c) If the medical subordinate is already in Government service, he should take a last pay certificate with him from the officer under whom he was working and this should be attached to the first salary bill drawn while on famine duty.

NOTE.—If in special circumstances the medical subordinate is unable to take a last pay certificate with him, the famine officer under whom he is posted should apply for and obtain it from the officer from whose office he is transferred.

(d) The salaries and allowances of a medical subordinate should be drawn on bills signed by him and countersigned by the famine officer under whom he works, or signed by the famine officer alone. The bill should be drawn in accordance with the rates sanctioned in the order of appointment, and in the case of an officer already in Government service the last pay certificate referred to above should be attached, a note being made on the last pay certificate showing the date of taking over charge of famine duty. If there is delay in getting a last pay certificate, the salary of the subordinate for the period of actual duty on famine work may be drawn in accordance with the sanctioned rates of pay and allowances shown in the order of appointment. The pay for the period of transit and for the period of employment in the former office after the date shown in the last pay certificate may be drawn after the last pay certificate arrives.

(e) A treasury officer should not refuse payment of bills drawn or countersigned by a famine officer on account of a medical subordinate merely on account of want of authority sanctioning the appointment. His duty in such a case is only to see that there is nothing *prima facie* objectionable in the bills beyond the absence of the order of appointment.

* They can be extended to other subordinates if found necessary.

† This portion of the certificate will only be filled in when the Hospital Assistant has come from other famine duty.

‡ In the Civil Department the gazetted officer in nearest immediate charge or the Sub-divisional Officer will sign.

**CORRECTION SLIP TO THE BOMBAY FAMINE
RELIEF CODE, 1912.**

(No. V.)

Insert the following above the notes to section 300 (a) of the Famine Relief Code :—

The Inspector-General of Police ... The police establishment mentioned in the general scale laid down by Government.

(Government Memorandum No. 8855, dated 29th September 1913.)

H 1246

(f) The bills should ordinarily be encashed at the nearest treasury or sub-treasury but when this involves delay they may be paid out of the permanent advance held by the famine officer which can be recouped by the encashment of the bills from the treasury or sub-treasury.

(g) Where the famine officer is an officer of the Public Works Department and pays the bills out of his imprest, he should forward them with his accounts to his Audit Officer unless he recoups his imprest by encashing the bills from the treasury. The Audit Officer on receiving the bill will pass on the charge to the Civil Department for adjustment.

NOTE.—The officer in charge of a relief work is a "Famine officer" for the purposes of this section.

300. (a) A general scale of establishment shall be laid down by Government for each of the general branches of relief. Within the limits of such scale the following officers shall have power to sanction appointments :—

Scale of establishment and powers of sanctioning establishments.

Commissioner, Superintending Engineer or Surgeon-General	Any appointment carrying a consolidated salary of not more than Rs. 250.
Collector or Executive Engineer ...	Any appointment carrying a consolidated salary of not more than Rs. 150.

NOTE.—(i) The Collector and the Executive Engineer may delegate to the Sub-divisional Officer or officer of similar rank their powers under this section in respect of an appointment carrying a consolidated salary of not more than Rs. 25.

(ii) It is impossible to estimate beforehand the number of trained medical subordinates which may be required. Appointments, therefore, made by the Surgeon-General under section 208 (c) need not be included in the general scale to be fixed under this section.

(iii) Pending any orders of Government to the contrary, the scales of establishment given in the Famine Code and its Appendices shall be taken to be those laid down by Government.

(b) The Commissioner, Superintending Engineer or Surgeon-General may sanction an establishment in excess of the general scale, up to a limit of 25 per cent., reporting his action immediately to Government.

(c) All other appointments require the sanction of Government.

301. No proposition statements are required for famine establishments, including additions to permanent establishments for famine duty; but lists shall be kept at district offices of all appointments carrying a salary of over Rs. 10, and inspecting officers should specially see that the number of appointments carrying a salary of less than Rs. 10 is not excessive.

Proposition statements not required for famine establishment.

302. Each Collector and Executive Engineer shall maintain a register of sanctions to establishment in his district or division in Form No. 100 of the Civil Account Code. In this register a separate page or

Register of sanctions.

Accounts.

pages shall be allotted to each relief work, poor-house or other relief institution for which establishment is entertained and a full index shall be maintained.

NOTE.—This register is required for the audit of establishment charges which is conducted against sanctions, but it is not possible ordinarily in the case of famine to maintain a complete record, and payments of less than Rs. 10 may be omitted. In the case of menial establishments, varying with the number of persons on relief, it is only an inspecting officer who can efficiently supervise the variations in number and rate of remuneration, but it will assist the audit if in such cases a note is made in the register of the general rule that regulates the scale.

Officers transferred to or from famine duty to be paid to date.

303. An officer transferred to or from famine duty shall ordinarily be paid his salary due to date on making over charge.

Treatment of deductions from establishment bills.

304. When an establishment bill chargeable to "33—Famine Relief" is presented for encashment at a treasury or sub-treasury, it should be accompanied by a *chalan* for the credit into the treasury of the deductions on account of income tax, etc. The treasury officer will pay the net amount of the bill in cash and the deductions by transfer credits to the proper heads. In the Public Works Department the disbursing officer debits the gross establishment charges in the cash book and credits the income tax, fund and other deductions as receipts.

Objections and objection book.

305. The Collector or the Executive Engineer shall communicate objections to the officers concerned in half margin memoranda. All objections shall be entered in an Objection Book in Form 71 which shall be closed and signed by the Collector or Executive Engineer within a period not exceeding one quarter to be prescribed by Government. Objections still outstanding shall be brought on to the book for the new quarter and special attention shall be paid to their prompt settlement. Objections should be kept distinct, each being given a separate number, which should invariably be referred to in all correspondence on the subject.

Supply of stationery.

306. Stationery shall be obtained as far as possible from the Stationery Department, but the Collector and Executive Engineer may in case of urgency purchase stationery in the local market. No sanction of Government to such purchases need be obtained. It is the duty of controlling officers to see that the power of local purchase is not unduly exercised. The Collector may in case of urgency employ any private press for printing work, reporting the same to the Commissioner for approval.

Preparation of bills and vouchers.

307. The following instructions shall be attended to in preparing bills and vouchers:—

- (a) Bills shall be drawn on paper of different colours, in token of urgency and with a view to make sorting of them easy.*
- (b) All forms and bills which will ordinarily be prepared in vernacular shall have bilingual headings (*i.e.*, English and vernacular).

*The following colours are suggested—*red* for village works bills in Form 39, *blue* for village gratuitous relief bills in Forms 44 and 45, *green* for poor-house and village kitchens bills in Form 46, *orange* for casual relief bills in Form 52, *yellow* for Collector's monthly detailed contingent bills.

(No. VI.)

CORRECTION SLIP TO THE
BOMBAY FAMINE RELIEF CODE, 1912.

Page 91.

In line 2 of section 309 substitute the word "conveyance" for the word "horse."

Omit the last nineteen words of the section and substitute the following :—

"attach to the bill a certificate by his immediate controlling officer that the amount of travelling done by him during the period for which the allowance is claimed was sufficient and satisfactory."

(Government Resolution No. 11716, dated 30th December 1913.)

- (c) Certificates shall be printed on the bill form and in such a way that one signature will suffice for both bill and certificate; certificates required from superior officers shall be framed in general terms with due regard to the conditions of work in times of famine.
- (d) Receipts shall be taken whenever possible for all payments, except for wages and allowances. The receipts for payments of over Rs. 5 shall always accompany the bills on which the money is drawn as sub-vouchers and those for lower sums shall be retained by the disbursing officer.
- (e) Vouchers shall as far as possible be submitted in English, but no objection shall be taken to any voucher because it is in vernacular.

308. The Collector or Executive Engineer may

(i) disregard an arithmetical error of 4 annas in any case, and up to 1 per cent., but not exceeding Rs. 1 where the bill or voucher is for an amount in excess of Rs. 25;

(ii) waive an objection, not involving a personal claim by any officers in permanent Government service and temporary employees on salaries exceeding Rs. 20 a month, of any other kind which relates to an item of not more than Rs. 100.

Powers of disregarding errors and waiving objections.

309. The Collector shall have power to sanction the payment of a horse allowance not exceeding Rs. 25 per mensem to any subordinate employed on famine duty who has a considerable amount of travelling to do in the course of his work. The allowance is not intended to meet an occasional journey, and any subordinate drawing it must certify on each bill that he actually kept a horse during the time for which the allowance is claimed.

Horse allowance.

310. Officers who have to disburse small coin in payment of wages and the like should seek to obtain their requirements, as far as possible, from the local grain and other dealers who receive the custom of the recipients of relief, in order both to accommodate such dealers and to avoid the necessity of importing small silver and copper coin at Government expense.

Supply of coins.

311. (a) The Collector shall be responsible for keeping the Accountant General informed—

- (i) of his probable requirements of all kinds of coin as early as possible, and
- (ii) of any demand that may arise for bills by which money can be supplied without actual remittance.

Responsibility of Collector and Accountant General regarding supply of coins.

(b) The Accountant General shall be responsible for seeing that the amounts of all kinds of coin required by the Collector are in readiness in the district treasury in advance of requirements.

312. The Collector shall be responsible for the distribution of money within the district, and shall endeavour to distribute funds within his

Supply of cash to treasuries and sub-treasuries.

Accounts.

district at the least expense to Government, moving funds by means of cash orders whenever that course is found to be more convenient.

Arrangements for keeping a large number of villages in funds.

313. To meet the difficulty of keeping a large number of villages regularly in funds, the following expedients may be adopted :—

- (a) The money order system may with great advantage be used for periodical remittances, the necessary arrangements for prompt payment being made in the head post offices.
- (b) Escorts may be appointed for a circuit of villages to be visited at stated intervals.
- (c) Police-stations and other centres may be used as depôts, the money being sent there by money order or otherwise, and the payees coming there to receive it.
- (d) The services of touring officers may be enlisted to convey sums due to the villages which they are about to visit.

In the last two cases the money received from the sub-treasury should not pass through the accounts of the officers distributing, who will act in the matter merely as a post office.

Commission to bankers.

314. Without the previous sanction of the Accountant General no discount or charges for commission shall be paid to bankers or others for cashing cheques or pay bills or otherwise supplying cash for Government expenditure. Such sanction should be given only in cases in which the Accountant General is satisfied that no more economical arrangement can be made, and that the particular method proposed is otherwise free from objection. Such cases should be reported to Government.

Delegation of powers of Government.

315. (a) In the matter of famine contingent charges, the power of sanction given to Government under Article 98, Civil Account Code, is delegated to the Commissioner and the Superintending Engineer, respectively, in regard to officers employed on famine duty under them.

(b) The powers conferred on Government under Articles 178, 180, 1056, 1059 and 1060 of the Civil Service Regulations are extended to the Commissioner and Superintending Engineer, respectively, in regard to officers employed on famine duty under them.

(c) Any defalcation or loss of famine funds other than a defalcation or loss occurring in a treasury or sub-treasury which, under the ordinary rules, has to be reported to the Accountant General, should be reported to the Commissioner, or, where the sum involved exceeds Rs. 100, to Government.

Payment of grain contractor.

316. (a) If in any case not provided for in the foregoing sections of the Code, a contract is entered into for the supply of grain or other food stuffs, the contractor shall draw out a bill, weekly or as often as prescribed by the Collector, for the value of the grain, etc., supplied by him, attaching the receipts for the grain, etc.,

so supplied to the bill, and present it to the officer by whose authority the grain, etc., was supplied.

(b) Where the bill relates to grain, etc., supplied to more than one poor-house, kitchen, etc., it shall be divided into separate sections, one for each poor-house, kitchen, etc., or in order to facilitate comparison with the accounts of each and the posting of the check ledgers.

(c) Advances to grain dealers, if made at all, shall be made by the Collector out of his permanent advance and shall not be made from the permanent advances of Charge and Circle Officers. A separate register of such advances shall be opened by the Collector and their recovery shall be closely watched by him.

317. A stock register in Form 72 of all furniture, tools and plant at each village work, poor-house and State kitchen should be kept by the officials in charge, and in it should be entered all purchases made from time to time. When relief operations are over, such things as are required should be made over to the Executive Engineer and the rest sold by public auction, and the amount realized credited to Government; the sale proceeds should be entered against each item in the stock register, and the register should then be submitted to the head office for check with reference to the amounts credited to Government in the treasury accounts. Stock Register.

318. The following shall be accepted as vouchers sufficient, by themselves, without other bills, for the purpose of audit :— Vouchers.

<i>Public works</i> (a) A copy of the cash-book of a charge, with the acquittance roll and with sub-vouchers for all contingent items of more than Rs. 5. (b) A weekly voucher for wages and cash allowances in Form 32. (c) A copy of the hospital account. (d) A copy of the kitchen account.
<i>Village works</i> (a) A copy of the cash-book, with sub-vouchers for all contingent items over Rs. 5. (b) A weekly bill in Form 39.
<i>Gratuitous village relief</i> Bills for grain and cash dole in Forms 44 and 45.
<i>Casual relief</i> The abstract bill, Form 52.
<i>Poor-houses and orphanages</i> (a) A copy of the cash-book, with sub-vouchers for all contingent items of over Rs. 5. (b) Bills in Form 46.
<i>Village kitchens</i> A copy of the cash-book, with sub-vouchers for all contingent items of over Rs. 5, except articles supplied by the grain-dealer.
<i>Miscellaneous relief</i> Simple receipts on forms prescribed by the Collector or Accountant General, showing clearly the objects for which the expenditure will be incurred.

Accounts.

Expenditure from
Local and
Municipal Funds.

319. It is incumbent on District Local Boards and Municipalities to co-operate with Government in meeting distress due to famine or scarcity. In the initial stages local bodies should, so far as funds permit and if they can do so without dislocating their finances, adapt and expand their programmes of works so as to meet the demand for employment, enable the opening of regular relief works to be postponed as long as possible and afford a test of the severity of distress and of the necessity for regular relief operations. As soon, however, as the stage of observation and test has been passed and the necessity for regular relief operations has been established, Government shall assume all responsibility for those operations and find the funds for carrying them on.

APPENDICES.

	Pages.
Appendix I.—Rules relating to the inclusion of railway projects in relief programmes	96
Do. II.—Rules for the preparation of famine reports required by the Government of India	97—102
Do. III.—Wage Tables—	
(a) Ready Reckoner showing maximum relief wages and allowances in pice	103
(b) Table of reduced wages for short work	104
Do. IV.—Management of public works	105—118
Public works—Table A	118
Public works—Table B	119
Public works—Table C	120
Public works—Table D	121
Do. V.—Management of village works	125—128
Village works—Table E	129
Village works—Table F	130
Do. VI.—Management of poor-houses	131—133
Do. VII.—Arrangements for the disinfection of wells	134
Do. VIII.—Utility of temporary dams in streams to prevent waste of water in years of deficient rainfall	135—136
Do. IX.—List of reports and returns to be submitted by the several officers under the Code	137—142

APPENDIX I.

(See section 11.)

Rules relating to the inclusion of Railway Projects in Relief Programmes.

(These rules are applicable, so far as possible, to other works requiring the sanction of the Government of India.)

1. A railway project should not, except for grave reasons, be included in a programme of relief works, because of—

- (a) the small ratio which the expenditure on unskilled labour bears to the total cost of a railway—about one-third of the whole cost being incurred in England, and only a small percentage of the balance being spent on unskilled labour;
- (b) the large financial liabilities which the commencement of railway works involves;
- (c) the loss which may be incurred if, after being commenced as a relief work, the project or alignment is subsequently abandoned or condemned.

2. When, for reasons considered sufficient, it is desired to include a railway project in the programme of relief works, a report should be submitted to the Government of India in the Revenue and Agricultural Department, showing—

- (a) the liability of the districts, through which the railway passes, to famine;
- (b) the advantages of the railway as a means of permanently protecting the affected districts against famine;
- (c) the number of persons for whom it is requisite that relief works should be provided in the event of serious famine;
- (d) the number that can be provided for by works other than the railway;
- (e) the reasons why the railway is required as a relief work in supplement of, or in preference to, other works;
- (f) the number of persons for whom work of a suitable kind can be provided for by the railway;
- (g) the proportion of the cost of such relief work to the whole cost of the line.

3. If the railway, or any part of it, is accepted by the Government of India as admissible on general grounds in the programme of relief works, the necessary reconnaissances or surveys should be undertaken, and the alignment should be submitted to the Government of India in the Public Works Department; and their approval must be obtained to the project before it is finally entered in the programme of relief works.

4. If the alignment is approved, measures should be taken to secure the land required for the railway.

5. If, after the inclusion of the project in the programme, it should at any time be desirable, in the opinion of the Local Government, that the railway should be utilized as a relief work, a report should be submitted to the Government of India in the Revenue and Agricultural Department, setting forth the reasons why the work should be commenced.

6. In the event of such sanction being accorded, the Local Government should transmit punctually and regularly to the Government of India in the Public Works Department the ordinary monthly and quarterly "Narrative Progress Reports" together with a memorandum showing the maximum, minimum and average number of relief workers employed, and the total cash issues during the month; and the Local Government should also communicate with that Department upon all professional and engineering questions, and submit all the usual estimates, accounts, etc., as in the case of a railway in progress under ordinary circumstances.

TWELFTH LIST OF CORRECTIONS TO THE BOMBAY
FAMINE RELIEF CODE, 1912.

The following additions and alterations should be made in Appendix 11
and Forms 11 to 15 in the Bombay Famine Relief Code, 1912.—

Appendix II.

Page 97.—

*Add the words "or scarcity" after the word "famine" in—
line 2 of general heading.*

Page 98.—

*Add the words "or scarcity" after the word "famine" in—
line 3 of rule 6,
lines 1 and 2 of sub-heading B,
line 3 of rule 9,
lines 1 and 2 of rule 10.*

Page 99.—

*Add the words "or scarcity" after the word "famine" in—
line 4 of rule 11,
lines 1 and 3 of rule 12,
line 2 of rule 14,
note to rule 14,
lines 2 and 4 of rule 16.*

Page 100.—

*Add the words "or scarcity" after the word "famine" in—
line 2 of clause (b) to rule 20,
line 1 of rule 23 (eighth word).*

From rule 18 delete the words "(if these are distinguished from famine tracts)."

In the first line of rule 23 substitute the word "the" for the word "famine" occurring after the words "review of".

Page 101.—

*Add the words "or scarcity" after the word "famine" in—
line 3 of rule 24,
line 5 of rule 25,
heading to Annexure A,
clauses I, II, IV, VI and IX of Annexure A.*

Page 103.—

Substitute the following Annexure for the existing Annexure B:—

ANNEXURE B.

Example of a Weekly Famine and Scarcity Telegram.

No rain fell during the week and it is greatly needed. Scarcity will be declared in some of the talukas of the Sholapur district from the twentieth instant and gratuitous relief will start from the twenty-sixth. Scarcity will also be declared in the Bijapur district and in one taluka of the Ahmednagar district from the eighteenth instant. Famine was declared in Broach on the 12th instant. Four departmental works are open in Kaira, the fifth will be opened on the nineteenth instant, the sixth on the twenty-seventh instant and the seventh on the second February. Five relief works are in progress in the Broach district. Two test works are open in Ahmedabad, three in Nasik and two in Poona. Gratuitous relief starts in Kaira from the eighteenth instant. Two poorhouses are open in Broach, one in Poona and one at Kaira will be open on first February. Several unaided private works are in progress in the Kaira, Nasik, Poona and Broach districts. Aided works are being encouraged. Numbers of persons on relief works on the last day of week were:—Works, Kaira 7,471, Broach 6,602, total 14,073. Dependants, Kaira 3,848, Broach 3,325, total 7,173. Gratuitous, Kaira 6,325, Broach 7,694, total 14,019. Poorhouses, Broach 10. Grand Total 35,275. Number of persons on test works on the last day of the week were:—Ahmedabad 177, Nasik 733, Poona 109, total 1,019. On gratuitous relief Kaira 8,922, Poona 2,887, total 11,809. In poorhouse, Poona 2. Grand total 12,830. No increase in mortality is reported. Medical arrangements are sufficient. Crime is normal. The numbers on the works are increasing especially women and children. Little wandering or emaciation is noticed. In Kaira large numbers of cattle are being sold at cheap rates. Others are either leaving district or dying. Takavi is being distributed. Private charitable relief is being organized and distributed. Fodder and water are scarce.

Form 11.

Page 154.—

- (a) In the heading insert the word "Scarcity" below the word "Famine".
- (b) Insert the following as note (1) at foot of the form, renumbering the subsequent notes:—
- (1) Score out the word "Famine" or "Scarcity" as the case may be from the heading. If however both famine and scarcity are prevalent, separate statements should be submitted for "famine" and "scarcity" areas.

Form 12.

Page 155.—

In the general and sub-headings insert the word "Scarcity" below the word "Famine."

Forms 13 and 14.

Pages 156-157.—

Insert the word "Scarcity" below the word "Famine" in the headings of the forms.

Form 15.

Page 158.—

- (a) Insert “—Scarcity ” after the word “ Famine ” in the first line at the top of the form.
- (b) In the main heading of columns 10 and 11 insert the words “ scarcity and ” after the word “ under ”.
- (c) Insert the following as a foot-note :—
“(7) Works in column 10 include test, aided and civil works.”

(*Vide* Government Resolution, Revenue Department, No. 10517,
dated 2nd November 1916.) }

APPENDIX II.

(See section 231.)

Rules regarding reports required by the Government of India on current agricultural conditions and prospects, and when famine is apprehended or prevalent.

A.—REPORTS REQUIRED IN ORDINARY TIMES.

Weekly telegraphic report on Season and Crops.

1. A telegraphic summary for the Province of the weekly reports submitted by district officers on the state of the season and the prospects of the crops should be despatched so as to reach the Government of India not later than Thursday in each week.

2. The summary should present a sufficiently complete and accurate picture of the position in the week under report to enable the Government of India to form a true opinion on the agricultural situation and prospects of the Province; and it should be so drawn up as to admit of being published in the *Gazette of India* without revision or further reference to the provincial authorities. The circumstances of individual districts should be referred to as sparingly as possible, these details being reserved for publication in the local *Gazette*.

3. The report should notice (a) the amount and general character of the rainfall of the week, and the tracts in which the total rainfall of the season has been insufficient; (b) according to the season, the progress of agricultural operations, the state of the standing crops, and the prospects and probable outturn of the harvests; (c) any serious damage done to crops by insects, blight, hailstorms, drought, floods or other natural calamities; (d) the condition of agricultural stock, and the sufficiency or otherwise of pasturage, fodder and water supplies; (e) the state of the grain-market and the pitch and tendency of the prices of food-grains. When prospects seem serious the explanations furnished under the provisions of the Famine Code by district officers of abnormally high prices of food-grains should be briefly incorporated in the telegram. The condition of the opium crop should be specially noticed, and the same practice may be followed in regard to other crops of commercial importance. The Local Government may add any further particulars which may be considered necessary.

4. Intelligent compilation of the summary is especially demanded. The use of vague or stereotyped phrases week after week should not be permitted, and expressions which necessitate a reference to previous reports, such as "crop prospects unchanged", "no change in prospects with the exceptions previously noted" should be avoided: each report should be so framed as to be complete in itself. The main object of these reports is to show how far the condition and prospects of the crops, stocks, and prices vary from the normal, and they should be worded accordingly. Such phrases as "sowings have commenced in places", "harvesting has begun", "prices are almost stationary" give little information. What the report should show is, whether sowings are, as compared with normal conditions, satisfactory, or late, or restricted; whether harvest prospects and outturn are good, fair or poor; whether prices are high or low, rising or falling; and so on. The Director of Agriculture should be made responsible for seeing that a uniform and well regulated system of recording the facts above indicated is maintained. The use of local vernacular terms, being unsuited to reports intended for general information, should be entirely avoided.

5. The district reports should be published in the local *Gazette*. Their main object is to show from week to week, in a brief and succinct form, the actual conditions and prospects of agriculture in each district as compared with the normal, including the condition of the cattle and the supply of fodder and water.

6. By the 1st of June in each year an abstract should be submitted to the Government of India of the famine relief works programme of each district, showing the number of persons for whose employment, in the event of famine, provision has been made. The statement should be in Form 3.

B.—REPORTS REQUIRED WHEN FAMINE IS APPREHENDED AND DURING THE PREVALENCE OF
FAMINE.

Preliminary Reports.

7. Whenever, owing to a deficiency or failure of the rainfall, agricultural prospects become serious, and apprehensions of distress arise, the Government of India should be furnished with a special report on the state of affairs. The report should review the economic condition of the district or group of districts affected; the outturn of recent harvests; the nature and the extent of the anticipated failure of crops; the probable intensity and duration of distress and the contingencies on which they depend; the classes most affected; the position as regards local trade, communications, food-stocks, prices, fodder and water-supply, etc.; the precautionary steps taken to organize measures for dealing with distress the state of the relief programmes; the probable extent to which the land revenue demand may have to be postponed or remitted; and the financial assistance likely to be required to meet demands for agricultural advances and relief expenditure, so far as they can be estimated at the time. A similar preliminary report should be supplied for any new districts or groups of districts which may become affected subsequent to the submission of the first preliminary report.

8. The preliminary report should be furnished as soon as it is possible for the Local Government to form a general estimate of the position, and should not be delayed for detailed or exact statistical information, the object being to give the Government of India the earliest information practicable as to the likelihood of relief measures being required. If the statistical data are not complete, a fuller report should be furnished in continuation of the preliminary report as soon as the materials are available. Any marked change in the situation for better or worse should be immediately reported by telegram.

Weekly telegrams and returns.

9. The first indications of crop failure and distress amongst the population, whether due to drought or other natural calamity, should be communicated in the weekly telegraphic "season and crop" reports. Until regular famine relief measures have actually been started these reports should also notice the measures taken to ascertain the existence of distress and the preliminary measures adopted to relieve it; e.g., the districts in which test works have been opened, and the number of persons resorting to them, the number of persons (if any) receiving gratuitous relief, and whether arrangements are being made for the grant of remissions or suspensions of revenue and agricultural loans, etc.

10. But when once the existence of famine has been recognised by the starting of relief measures under the Famine Code, a separate famine telegram should be despatched weekly to the Government of India on the same day as the season and crop telegram, which should then be confined to a description of the progress of the season, the condition of the crops and the state of stocks and prices in the non-affected areas. The special telegram should give the following statistical information regarding Government famine relief:—

- (i) Number of workers on (a) test works and (b) relief works, of all kinds (exclusive of dependants).
- (ii) Number of persons in receipt of Government gratuitous relief or special relief of all kinds (including the dependants of workers relieved on works and weavers and artisans relieved in their own trade).
- (iii) Total number of persons relieved.

The figures should be the number on the last day of the week under report or, the daily average for the week, and in telegraphing the figures the following abbreviations may be used : "Works ... Gratuitous ... Total."

11. The figures are not required for each district but for the Province as a whole ; but should relief measures be undertaken in entirely different parts of a Province it will be convenient to group the affected districts in each part and telegraph separate statistics for each group as well as the total for the Province. If famine measures are in progress in any Native States under the political control of the Provincial Government, separate relief statistics under the prescribed headings should also be supplied, as far as possible, for such States collectively.

12. The weekly famine telegram should also record the price, in government seers per rupee, as it stood on the last day of the week under report, in each district, or group of districts, in which famine relief operations are in progress, of the staple grain upon which the famine wage for the time being is calculated in that district or group.

NOTE.—There is no need to specify the staple, and the addition to the telegram may conveniently take the following form : "Prices—Poona and Bijapur 9, Sholapur 8½. When the staple or the price varies from place to place in the same district, an average will suffice, or the price of the principal staple.

13. The inclusion of a district or State for the first time in the affected area, whether of a province or group, and similarly, the removal of a district or State, as no longer affected from the affected area, should be communicated in the weekly telegram.

14. In addition to the statistical information required by the preceding rules, the weekly famine telegram should contain general information as to changes in the condition of the people and the state of affairs in the affected areas, *e.g.* :—

- (a) Whether distress is acute or slight, increasing or decreasing, the classes mostly affected, and the cause of any marked rise or fall in the number of persons reported to be on relief.
- (b) Whether the people are resorting freely to relief works, clinging to their homes or concentrating in towns. Whether there is much wandering, any general appearance of emaciation among applicants for relief, any large influx of foreigners, etc.
- (c) The physical condition of the people on relief, particularly of the women and children, and of the labouring and cultivating classes generally.
- (d) The sufficiency of relief measures, and any special measures, such as relief to weavers and artisans in their own trade, the grant of advances, suspensions of land revenue, importation of fodder for cattle, measures to improve the water-supply, etc.
- (e) The state of the public health, and the prevalence of epidemics.
- (f) The need for private charitable relief for clothing, medical comforts, or other objects, and the extent to which it is being met.
- (g) When private or aided works are affording important relief, the number of persons relieved on such works, so far as known.

NOTE.—An example of a weekly telegraphic famine report will be found in Annexure B.

15. Details by districts (and Native States) of the relief figures reported in the weekly telegram under rule 10 should be despatched in Form 15 so as to reach the Government of India not later than the Tuesday following the despatch of the telegraphic report.

Monthly Reports.

16. In addition to the weekly telegraphic reports and weekly relief statements a monthly written report should be furnished to the Government of India as long as famine relief continues. With this report should be sent the tabular statements in Forms 11 and 13 for the

British districts in which famine relief measures are in progress. Form 14 should also be sent when necessary. (See rule 18.)

17. The report should be in the form of a memorandum preceding the statements and should supply briefly the information indicated in the schedule in Form 12 as far as it may be available. Details by districts are not required. The remarks should be a condensed summary for the whole area affected, of the principal facts reported in the district relief reports submitted to the chief authority controlling famine relief operations.

NOTE.—After it has been despatched to the Government of India, the monthly report may, if desired, be published in the local Gazette. It should be submitted to the Government of India in print, with the usual number of spare copies.

18. The first monthly report should be accompanied by a statement in Form 14 which should be illustrated by a skeleton map of the Province showing in three shades (a) Famine tracts, (b) Scarcity tracts in which relief is being given (if these are distinguished from famine tracts), (c) Scarcity tracts in which relief may be needed. A revised statement and map, in the same form, should be supplied when any marked alteration occurs in the position, or the estimates require to be reconsidered in the light of fuller information.

19. The report for each month should be despatched to the Government of India, whether complete or incomplete, by the end of the following month either by the Local Government, the Famine Commissioner (when one is appointed), or other Revenue authority as the Local Government may determine. Deficient information may be subsequently submitted, either in the next monthly report, or in a separate letter.

Special Reports.

20. The following matters should be separately represented, as occasion may require, in special reports, which should be submitted in sufficient time to enable the Government of India to make any provision of funds or establishments which may be necessary:—

- (a) The extent to which suspensions or remissions of land revenue which have been ordered or may be in contemplation, are likely to affect the estimates of land revenue receipts.
- (b) If there is any reason to believe that the Provincial funds will prove insufficient to meet the exigencies of famine, the extent to which Imperial aid is likely to be required.
- (c) The extent to which the Provincial staff requires to be increased by drafts from Imperial Departments or otherwise.

21. Immediate information by telegraph should be furnished to the Government of India of any disturbance in the nature of a grain riot. The telegram should indicate, as far as possible, how far the disturbance was serious, what measures were adopted to put it down (whether for instance the aid of the Military was required) and how far loss of life and property resulted from it. In serious cases, fuller details may be reported by post; where the case is of trifling importance, the telegram should conclude with the words "no further report seems necessary".

22. When there is reason to believe that subjects of Native States are immigrating into British territory to any unusual or considerable extent owing to distress, the Government of India should be informed of the facts and of the name of the State or States concerned. Similar action should be taken when British subjects are found to be migrating to Native States.

Final Report.

23. On the conclusion of a period of famine, a review of famine relief operations should be prepared for publication and submission to the Government of India. Subject to any alteration or amplification which the Local Government may think advisable, the report should contain information under the several heads mentioned in Annexure A. The report

should specially notice to what extent the works executed by famine labour are of a permanent character and distinct public utility, or to what extent their value is temporary and their public utility doubtful. They should be tabulated and classed into "major" and "minor" works, and also according to their character as, for instance, construction or repairs of unmetalled roads, metalling or remetalling of roads, collecting metal, railway earthwork, irrigation embankments, canal excavation, construction, improvement or repairs of tanks, and the like, and careful estimate should be made of the value, at ordinary public works rates, of the work executed by famine labour, compared with the actual cost. In the section of the report dealing with the influence of railways and irrigation works in the mitigation of distress, a careful estimate should be given of the value of the crops saved by Government irrigation works in each district which suffered from drought; and any other evidence which may be forthcoming of the directly protective effect of State irrigation works should be recorded.

24. The table accompanying the report should include statistics of the numbers of persons on relief in each district, in each month or each fortnight from the commencement to the end of the famine, classified according as they were relieved on works, as dependants of workers, in poor-houses or kitchens, or at their homes. The ratios of persons so relieved to the total population of each district, or affected portion of each district, should also be given; and also the respective numbers of men, women and children receiving relief. The imports and exports of food-grains, the course of prices, the rainfall and the mortality of the people, should also be statistically exhibited.

Other Reports.

25. Any reports, other than those required by these rules, which may be prescribed by the Local Governments for their own information, need not be formally transmitted to the Government of India; but they desire to be regularly supplied informally, and in anticipation of their later appearance in the monthly volume of proceedings, with a copy of all important famine reports and orders as soon as they are printed.

ANNEXURE A.

Headings for Final Famine Reports.

- I.—The economic and agricultural condition of the affected tract before the famine.
- II.—The cause of the famine, and the extent of the failure of the harvests.
- III.—The area, population and classes affected, and the degree of distress.
- IV.—General narrative of the commencement, progress, and close of the famine.
- V.—Relief measures and administration: organization of the relief system; Public Works relief; non-departmental relief; charitable relief.
- VI.—Statistics and cost of relief, and nature and utility of works constructed with famine labour.
- VII.—Indirect relief: the suspensions and remissions of land revenue and other dues, loans and advances.
- VIII.—Food stocks, trade and prices, and the effect of high prices on crime.
- IX.—Public health, and the mortality of the famine period.
- X.—Immigration and emigration.
- XI.—Water and fodder supply, and the preservation of the cattle.
- XII.—Influence of railways and irrigation works in the mitigation of distress.
- XIII.—General remarks on the working of the Famine Code; the measure of success attained; the attitude of the people; the future outlook.

ANNEXURE B.

Example of a Weekly Famine Telegram.

Distress severe in Gujarat but slight in affected districts of Deccan. Will probably increase in both tracts when cotton-picking ceases. Surat and Palanpur added to affected area. Smaller cultivators getting to end of their resources and coming on relief. No wandering or emaciation, except among Rajputana immigrants. People on relief generally in good condition and relief measures adequate. No disinclination to resort to relief works apparent. Public health good, except for cholera epidemic in Surat, where necessary remedial measures have been taken. Private charity active in towns, and cheap grain shops established. Liberal suspensions of land revenue granted, and loans being freely advanced for purchase of fodder and deepening of wells. Trade active, traffic requirements being fully met. Prices of food grains high but stationary, except in Gujarat, where rising. Prices: Deccan 12 to 15, Gujarat 8 to 10, Native States 9 to 12 seers per rupee.

Numbers on relief in thousands. British districts:—Deccan: works 156, gratuitous 26, total 182. Gujarat: works 345, gratuitous 82, total 427. Native States: works 66, gratuitous 18, total 84. Large rise in Broach owing to completion cotton harvest.

$$\frac{40}{21} = 16$$

$$\frac{40}{21} = 16$$

$$\frac{40}{21} = 16$$

$$\frac{40}{21} = 16$$

APPENDIX III.

(See sections 76, 77 and 111.)

Wage Tables.

(a) Ready Reckoner showing maximum relief wages and allowances in pice.

Price of grain in lbs. per rupee.	WORKERS.				DEPENDANTS.						
	Class A Gangors and special gangs, one pice more than B.	B Diggers, 18 chhataks.	C Carriers, 14 chhataks.	D Working children, 10-14, 10 chhataks.	E		F Children 10-14, 8 chhataks.	G Children 7-10, 6 chhataks.	H Children under 7, 4 chhataks.	I Children in arms, 3 chhataks.	
					Male adults, 13 chhataks.	Female adults, 10 chhataks.					
Lbs.	Pice.	Pice.	Pice.	Pice.	Pice.	Pice.	Pice.	Pice.	Pice.	Pice.	
12	13	12	10	7	8	7	6	4	3	2	
13	12	11	9	6	8	6	5	4	3	2	
14	11	10	8	6	7	6	5	4	2	2	
15	11	10	8	6	7	6	4	3	2	2	
16	10	9	7	5	6	5	4	3	2	2	
17	10	9	7	5	6	5	4	3	2	2	
18	9	8	6	5	6	5	4	3	2	2	
19	9	8	6	4	5	4	4	3	2	1	
20	8	7	6	4	5	4	3	3	2	1	
21	8	7	6	4	5	4	3	2	2	1	
22	8	7	5	4	5	4	3	2	2	1	
23	7	6	5	4	4	4	3	2	2	1	
24	7	6	5	4	4	4	3	2	2	1	
25	7	6	5	3	4	3	3	2	1	1	
26	7	6	4	3	4	3	3	2	1	1	
27	7	6	4	3	4	3	3	2	1	1	
28	6	5	4	3	4	3	2	2	1	1	
29	6	5	4	3	3	3	2	2	1	1	
30	6	5	4	3	3	3	2	2	1	1	
31	6	5	4	3	3	3	2	2	1	1	
32	6	5	4	3	3	3	2	2	1	1	

NOTE.—In this table one-third of a pice and fractions over one-third are taken as one pice; fractions less than one-third of a pice are omitted.

APPENDIX III—(continued).

(See section 111.)

Wage Tables.

(b) Table of reduced Wages for short work.

Maximum wage for full task.	Wage payable when percentage of full task done is								
	90	80	70	60	50	40	30	20	10
Pice.	Pice.	Pice.	Pice.	Pice.	Pice.	Pice.	Pice.	Pice.	Pice.
13	12	10	9	8	7	5	4	3	1
12	11	10	8	7	6	5	4	2	1
11	10	9	8	7	6	4	3	2	1
10	9	8	7	6	5	4	3	2	1
9	8	7	6	5	5	4	3	2	1
8	7	6	6	5	4	3	2	2	1
7	6	6	5	4	4	3	2	1	1
6	5	5	4	4	3	2	2	1	1
5	5	4	4	3	3	2	2	1	1
4	4	3	3	2	2	2	1	1	1*
3	3	2	2	2	2	1	1	1	1*
2	2	2	1	1	1	1	1	1*	1*

NOTES.—(1) In this table one-half of a pice and fractions over one-half are taken as one pice: fractions less than one-half are omitted except in cases marked (*) where one pice is entered on the principle that a worker who performs any appreciable portion of the task should get something.

(2) Work done should be calculated and paid to the nearest tenth, the benefit of any doubt being given to the worker: thus 95 per cent. and above will be paid for as the full task, from 94 to 95 per cent., inclusive, as 90 per cent., and so on. Provided that if short work is found to be due to contumacy on the part of the worker he shall not be given the benefit of any doubt, but shall in cases in which the percentage is not exactly any tenth, be paid at the tenth next below; thus 40 per cent. will be paid for accordingly, but 30 to 39 per cent. inclusive will be paid for as 30 per cent.

(3) When workers are tasked and paid by the gang, the wages of the gang, when short work is done, should be calculated from this table, and not by reference to table (a) which might in some cases give a different total wage for the gang.

(4) Workers tasked individually, also, will of course be paid by the table for short work.

(5) When short work is done, gangers on public works should receive one pice more than the B class wages as calculated from this table, provided it is not desired to punish the ganger specially.

(6) Ordinarily, no wage is to be paid to a worker who is present working for only half a day. If a gang, which in the morning consisted of 18 workers and was set a task accordingly, is found in the afternoon to have only 16 workers, the gang task should be reduced to that for 16 workers and wages should be paid to the 16 workers according to the percentage of the reduced task done, the two absentees receiving no wages. If a gang which consisted of 16 in the morning is found to contain 18 in the afternoon, wages should be calculated and paid only for the 16. Gangs or individuals put to work only in the afternoon should receive the dependant's allowance for the whole day under section 82.

APPENDIX IV.

(See note to Chapter VII.)

Management of Public Works.

The duties of the Executive Engineer and his subordinates in connection with public works fall under the following heads :—

	Paragraphs.
I.—General organization and establishment	1—15
II.—Equipment of a charge	16—17
III.—Supply of small coin	18—19
IV.—Water-supply	20—25
V.—Hutting and conservancy	26—32
VI.—Hospitals	33—38
VII.—Market arrangements	39
VIII.—Destruction of flies	40—46
IX.—Organization of relief labour—The gang	47—53
X.—Tasks and systems of work	54—69
XI.—Muster-rolls, payment of wages and routine	70—78
XII.—Duties of Inspecting Officers	79

I.—GENERAL ORGANIZATION AND ESTABLISHMENT.

1. A charge will contain, approximately, 5,000 workers together with perhaps 1,500 dependants, making altogether 6,500 persons. When the number of workers in a charge reaches 6,000 further admission to it must at once cease, a fresh charge being opened if necessary. The old charge will be called a "closed charge" until its numbers have fallen sufficiently to permit of admission to it being reopened. The new charge may be on a different part of the same work or on another work at no great distance. But its equipment and establishment must be distinct and complete in themselves.

2. The complete staff for a charge will ordinarily be as follows :—

Nos.	Designation.	Monthly pay.	Remarks.
1	Charge Officer ..	Rs. 75 to 150	Pay to be fixed by the Collector; should furnish security for Rs. 1,000.
1	Sub-overseer ..	„ 60 to 75	May be on the permanent staff of the Public Works Department.
2 to 4	Work agents ..	„ 40 to 60	Of the maistri or sub-overseer class.
2	Checking karkuns ...	„ 20 to 25	
16 to 20	Mustering karkuns ...	„ 12 to 16	Including those employed in the kitchen and in charge of water and conservancy parties and on accounts.
1	Store-keeper ...	„ 18 to 20	Should furnish security up to Rs. 200.
1	Office clerk ..	„ 20 to 25	
2	Sub-cashiers ..	„ 25 to 30	Should furnish security up to Rs. 300 each.
1	Camp superintendent ..	„ 20 to 25	
1	Kitchen superintendent ..	„ 18 to 20	Should furnish security up to Rs. 200.

NOTES.—(1) The Executive Engineer will appoint the above with the exception of the Charge Officer, who also may occasionally be appointed by him with the Collector's approval. Chaukidars, peons, sweepers, etc., as may be required, are to be taken as far as possible from amongst the relief workers.

(2) It will be the duty of inspecting officers to see that no part of the establishment is in excess of requirements, as well as to take care that it is sufficiently strong and efficient for its purpose.

3. The duties of the *Charge Officer* are described in section 89 of the Code; he will be general supervisor and cashier on the spot. It is most important that the best men available from any Department should be selected for these posts: active men are necessary and therefore, as a rule, ministerial officers will be unsuitable; specially recommended British non-commissioned officers, with a good colloquial knowledge of the vernacular, will often make good *Charge Officers*. The pay should be such as to attract men of the right stamp and should in no case be less than Rs. 75 per mensem, with a horse allowance of Rs. 10 to Rs. 15 if necessary; on important works a superior class of men with a higher salary may with advantage be employed. It is often a good plan to promise a monthly increment of salary, conditional on the satisfactory discharge of duties.

4. The *work agents* will work under the immediate orders of the sub-overseer. Their duties will be to lay out the work in advance, to set up profiles as a guide to the workers where necessary, to measure up the work done by each gang and enter it in the muster-roll (Form 23), at the same time calculating and entering therein the wages payable. They will also pay attention to the proper finishing up of the work, employing separate gangs of trained workers for this purpose. If the *Charge Officer* finds that his establishment is insufficient or not efficient enough to cope with this portion of the work, he should at once make a report to the Executive Engineer, sending a copy of the report to the Public Works Sub-divisional Officer at the same time. Work agents may be obtained to some extent from corps of Sappers and Miners and from Pioneer regiments, while mustering *karkuns* may often be had from these and other regiments of the Indian Army.

5. Where tasks are not uniform, *e. g.*, where the character of the soil varies greatly, as in the depth of a substratum of murum, the measuring staff must be strengthened beyond what is necessary when tasks are uniform. It cannot be too strongly insisted on that if frauds are to be prevented and wages paid with regularity, measurements must be made quickly. In making them, complete mathematical accuracy is not required, but each gang or sub-gang must know exactly what they have to do to earn the full wage.

6. The duties of the *mustering karkun* are to muster his gangs, which shall ordinarily be five in number, morning and evening, to maintain order and to see that each worker has a fair chance of earning the full wage. He should bring to the notice of the *Charge Officer* any failure on the part of the work agents to properly set out the tasks beforehand. The actual counting out and distribution amongst the gangs of the wages, as received from the sub-cashier, will also be part of his duties.

7. The duties of the *checking karkuns* will be to check, before payment, the calculations in the muster-rolls and other forms kept by the *mustering karkuns* and to see that they are properly maintained; to instruct the *mustering karkuns* in their duties and keep them up to them; to assist, as required, at the distribution of wages; to help the office clerk in checking the various accounts after payment; and generally to assist the *Charge Officer* in checking all payments and accounts.

8. The duties of the *comp superintendent* will be to supervise the water-supply and conservancy arrangements. He should also be called upon to be present daily at the time of payment of wages and to help to check fraud. If his duties are otherwise heavy he may be given one or more assistants. He and his assistants should be authorized to check muster-rolls. Intelligent non-commissioned officers of native regiments, either on the active list or pensioned, are the best men for the post.

9. The *store-keeper's* duties will be to receive and issue all articles of tools and plant, stores, *etc.*, taking a receipt for every article issued and keeping a detailed account of all receipts and issues. The *mustering karkuns* and the *gangers* under them will be held responsible for the tools issued to them. All tools should be stamped before despatch to the work.

10. Arrangements for a smith's shop for the repair of tools and for a couple of carpenters to prepare and repair tool-handles will be necessary. The work of sharpening or repointing pickaxes should be given out at piece-work rates. A head sweeper should be placed in charge of the conservancy gang.

11. The *ganger's* duties have already been described in chapter VII of the Code.

12. In close proximity to the head-quarter camp and the tool enclosure will be the *police guard*. The treasure chests should always be placed in custody of the guard at night. The strength of the guard will ordinarily be one head constable and four constables. They should be huted near the guard-room. Their duties, in addition to guarding the treasure chests, both day and night, will consist in helping to keep order in the camp and in the bazar and in carrying out such detailed orders as the District Magistrate and District Superintendent of Police may issue.

13. The *Public Works Sub-divisional Officer* will exercise control, through the Charge Officer, over the whole of the establishment employed on a relief charge. His particular duties will be to correct all faults in organization—paying especial attention to the proportion of carriers to diggers; testing the quantity and quality of the work done; checking the numbers on the work and the payments made; assisting in aligning new works; and doing all he can to cause the work to proceed smoothly and to be carried out efficiently and economically, by instructing the establishment in their duties and keeping them up to them. He should take measures to get rid of persons on the establishment whom he finds to be inefficient, reporting to the Executive Engineer when necessary. All important orders he may give should be entered in an order book to be kept on the work in charge of the Charge Officer, who should, when this is necessary, forward copies to the Executive Engineer. The order book should be kept distinct from the inspection book, in the latter being entered the remarks and orders of inspecting officers only.

14. The Charge Officer should keep all orders received by him from the Collector in regard to the price-basis in a separate file, in order that the necessary information may be readily available at times of inspection. These orders will specify the date from which any change in the price-basis is to take effect on the work.

15. When the Collector estimates that there are likely to be more than 40,000 persons on public works in the district for at least three months, the Executive Engineer should apply, through the Superintending Engineer, for the services of officers of the Royal Engineers or Indian Army or other suitable men, in the proportion of one officer for every 25,000 persons over the first 25,000. These officers may be appointed sectional officers under the Executive Engineer over areas containing not less than four charges each, with full authority and responsibility, and submitting their travelling journals, weekly diaries and inspection notes to the Executive Engineer.

II.—EQUIPMENT OF A CHARGE

16. On receiving intimation from the Executive Engineer that a new relief charge is about to be opened, the Public Works Sub-divisional Officer should *at once* forward to that officer an indent for such tools and plant, office furniture, stores, etc., as he judges will be necessary and which he cannot himself supply from the sub-divisional stores, or obtain more economically locally. The following statement gives a rough idea of what may be necessary; but the actual requirements should be carefully considered in each case before indenting:—

1,000 Pickaxes.	Cloth for flags—
2,500 <i>Pávras</i> or <i>kodalís</i> .	red for admission stations;
5,000 Stone-breaking hammers.	blue for water;
200 <i>Stukís</i> .	yellow for conservancy;
100 Sledge hammers.	white for gangs and gangers.
500 Mining bars.	10 Tape belts for peons.
100 Iron rammers.	1 Office time-piece.
6,000 Baskets.	5 Office tables.
12 Galvanized iron buckets.	5 Office chairs.
25 Axes.	5 <i>Kárkuus</i> ' desks.
15 Iron buckets (<i>dols</i>).	3 <i>Kámblís</i> (country blankets).
200 Iron water pots.	1 <i>Jajam</i> (office carpet).
50 Water casks.	10 Net money bags.
4 Treasure chests (2 large and 2	16 Canvas money bags.
small) with a good lock to each.	100 Kharwa cloth bags (for distri-
10 Measuring tapes, 50 feet.	bution of wages to gangs).
100 Five feet measurement bamboos.	5,000 Kitchen tickets.
3 Beam scale and weights.	100 Muster-roll tins.
1 maund country twine.	Forms and stationery.
10 maunds coir string.	

Public Works.

17. After the opening of the work the Charge Officer should, in consultation with the Sub-divisional Officer, similarly indent direct on the Executive Engineer, from time to time, for such additional tools, stores, etc., as are required and which cannot be purchased locally with advantage. The usual Public Works requisition form (kept in counterfoil) will be used for this purpose.

III.—SUPPLY OF SMALL COIN.

18. The Collector will, at the commencement of operations, make arrangements for a supply of small coin in sub-treasuries equal to three weeks' estimated requirements. The Charge Officer will subsequently arrange to collect the small coin in circulation in the bazar on the work or in the nearest market town, in exchange for rupees brought from the treasury. If he finds legal tender copper coin circulating at a discount or at a premium, he should at once report the circumstances to the Collector, through the Executive Engineer, so that action under Article 571 of the Civil Account Code may be taken.

19. The Charge Officer will ordinarily cash all cheques received by him at the sub-treasury. If in an urgent case he has to obtain cash for a cheque from a respectable dealer with whom he is acquainted, he must not pay or receive commission on the transaction.

IV.—WATER-SUPPLY.

20. It is impossible to prescribe any one detailed system of water-supply which will be suited to local conditions everywhere. The important points to be attended to in all cases are—

- (i) that all water sources, except those approved for the supply of the camp, should be strictly closed to general use, being fenced off and guarded;
- (ii) that the drawing of water from the approved sources should be done solely by a special staff of drawers, no other persons being permitted to dip their vessels into the source and draw water;
- (iii) that the relief workers, etc., should bring their own water pots to a place near the source, where water will be poured into their pots by the drawers either from troughs, cisterns or channels or by direct pouring;
- (iv) that special care should be taken to drain off waste water and to prevent it soaking back into the source.*

21. For drawing water iron buckets or kerosine tins, strengthened with an iron strap round the top and furnished with an iron handle, will be required. Distribution may be effected in several ways, *e. g.*—

- (a) by a number of ducts radiating from the well: these may be made of tin, galvanized iron or the hollowed out stem of a palm tree cut in half longwise, the drawer pouring in water at one end as he draws it, and the workers holding their pots under the other end;
- (b) by making an earthen trough or channel, paved with stone or gravel, above the level of the surrounding ground—this trough or channel being filled by the drawers, and the water being distributed from spouts or other openings in it;
- (c) by putting up stone or even iron cisterns, which the drawers would keep filled and from which water would be given to the people either from spouts or by the drawers dipping kerosine tins and pouring the water direct into the people's pots (these cisterns are more appropriate on works which are expected to continue open for some months).

22. Unless there is absolutely no other source available, water should never be taken from pools or tanks or from any source which cannot be efficiently protected from contamination or disinfected if it has become contaminated. As far as possible, wells, with a properly constructed masonry lining above the rock or murum in which they stand, should be selected. They should be fenced in and no washing permitted within 100 yards: the enclosed area, within which the drawers work, should be either roughly paved with flat-bedded stones or covered with a good layer of gravel or coarse sand. The buckets, tins, cisterns, channels, etc., used in distribution should all be kept scrupulously clean, all vessels being scoured with clean sand daily.

CORRECTION SLIP (XIV).

The following should be added as paragraph 24 (a) to Appendix IV of the Bombay Famine Relief Code (page 109):—

24 (a). The use of Nesfield's method of chemical sterilization is efficacious though expensive. Sterilization depends on the liberation of free iodine, but free chlorine is just as efficient and very much cheaper and easier to use.

The essentials are:—

- (i) A hand pump, or a mechanically driven pump,
- (ii) two tanks, with capacity in accordance with the size of the camp,
- (iii) a short length of piping with a few taps,
- (iv) one Professor Cree Brown's three-way stop-cocks (described in Appendix VII (a)),
- (v) water carts to carry water to the work. The method of working is described in Appendix VII (a).

When the source of water is from a well in which the water level is more than 20' from the surface and, if it is impossible to get a petrol or oil-engine pump, it may be necessary to arrange for drawing the water from the well to a tank (masonry or metal) at the mouth of the well by means of a *mote* and hand-pumping it from there to the sterilization tanks. The height of the tanks above the mouth of the well will depend on the head necessary. If no other support is available, a mound of earth would suffice.

The capacity of the tanks will depend on the population to be served and the quantity of water considered necessary per head. One gallon per head is probably the minimum necessary for cooking and drinking. To allow for personal ablution, washing of clothes and cleansing of utensils, 1½ to 2 gallons should be provided, if the water can be obtained.

For a camp of 1,000 persons, one tank of 2,000 gallons capacity, or 8' x 8' x 5', will be required, and a second tank of approximately 500 gallons capacity, the depth of this second tank to be in accordance with the length of the glass tube attached to Professor Cree Brown's three-way cock. The second tank should be raised over the first tank and the three-way cock attached to it. The dose of chlorine required could be estimated daily by the Medical Officer in charge of the camp.

By this method of disinfection river water and even tank water can be used with comparative safety.

CORRECTION SLIP (XV).

The following should be added as Appendix VII (a) to the Bombay Famine Relief Code:—

Appendix VII (a)—

(*Vide* paragraph 24 (a) (iv) of Appendix IV.)

Apparatus for the sterilization of water required for famine camps.

A simple apparatus is required for mixing a solution of hypochlorite of lime, or other disinfectant, with impure drinking water, in the correct proportions for rendering the water free from dangerous bacteria; the process must be sufficiently simple for use by unskilled men, and the results must be thoroughly reliable. An apparatus was tried at the camp of the Poona Volunteer Rifles at Chinchwad in January which fulfilled these conditions.

Water is pumped from the source of supply to a receiving tank A; the hypochlorite solution is mixed with the water to be treated as it leaves this tank, and the mixture then falls into a large tank B, in which the process is completed in the course of a few minutes.

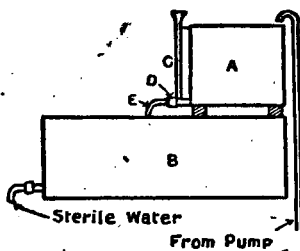


FIG. 1

The water entering the tank B smells strongly of chlorine, but that leaving it is odourless and free from dangerous bacteria.

The actual apparatus by which the mixing is carried out consists of a glass gauge, protected by a brass tube partly cut away (C fig. 2), which stands beside the tank A and is connected to a three-way cock D. When the cock D is turned on, the hypochlorite solution in C

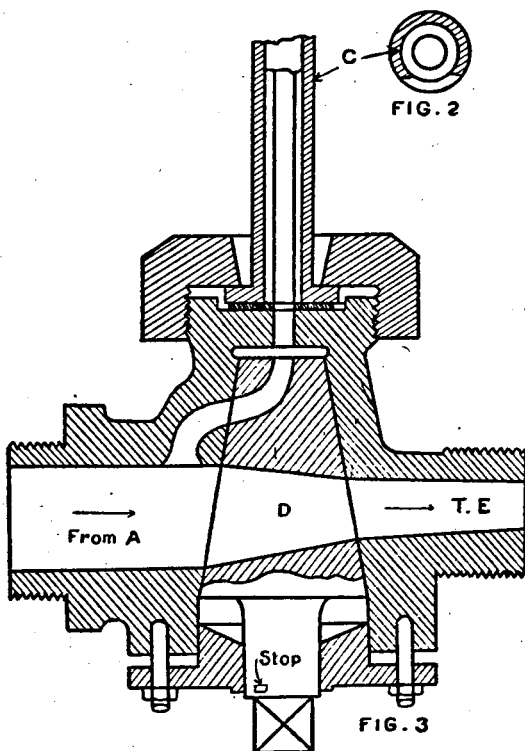


FIG. 3

and the water to be treated from the tank A simultaneously run out of the pipe E into the tank B, and in so doing are thoroughly mixed. The pipe E should preferably be several feet in length, so that the eddies of the liquid flowing through it will have time to cause thorough mixing.

A section of a cock D suitable for this purpose is shown in figure 3, and an alternative form in fig. 4. The essential point in the design is that the passage by which the water enters the cock must be considerably larger than that by which it issues from it. The entrance passage should be quite twice the diameter of the outlet, and the large diameter should be continued till the hypochlorite solution has entered the stream passing through the cock. If this is not attended to, the mixture will not be of correct proportions, as the static head in the tank A and in the gauge C will not be the same unless the flow through the cock, at the point where the hypochlorite solution enters, is comparatively slow. The cock should preferably be made so that all three passages are closed when the cock is turned off.

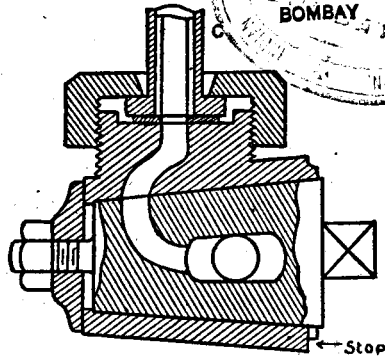
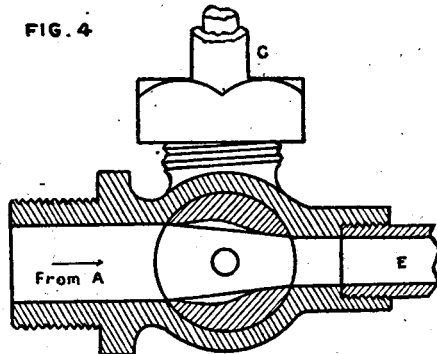


FIG. 4



In using the apparatus, the hypochlorite solution is mixed in a separate bottle by agitating bleaching powder and water in the correct proportions. Free lime is allowed to settle; the tank A is then filled with the untreated water, and the hypochlorite solution is poured into the gauge C to the same level as that of the water in the tank, the cock D remaining closed meanwhile. The cock is then opened, and the untreated water and hypochlorite solution flow through it into the tank B, mixing *en route*. As the water levels in the tank A and in the gauge glass C fall at the same rate, the resulting mixture is in the correct proportions throughout.

To ensure that the proportion of disinfectant added shall be correct, two methods may be used. The strength of the hypochlorite solution may be calculated by the following formula:—

Let D = the diameter of the tank A in inches, if it is circular in plan,
B = the breadth, and
L = the length of the tank, if it is rectangular, in inches,
D = the diameter of the inside of the gauge glass C, in inches,
and R = the number of lbs. of bleaching powder required per million gallons of the water to be treated, which may be taken as 20 lbs. as a first approximation for bad water; the quantity may be adjusted after test of the treated water.

Then, if X = the percentage strength of the hypochlorite solution which is to be used, expressed as the ratio $\frac{\text{weight of bleaching powder} \times 100}{\text{weight of water}}$

$$x = \frac{D^2 \times R}{100,000 \times D^2} \text{ for a circular tank,}$$

$$\text{and } x = \frac{1.3 B \times L \times R}{100,000 \times D^2} \text{ for a rectangular tank.}$$

The whole of this formula, omitting "R", may be worked out once for all for a given tank and gauge glass, and then multiplied by whatever value of R it is desired to use for the time being.

An alternative method of ascertaining the strength of solution required, is to take an amount of bleaching powder equal to $R \times \frac{\text{capacity of the tank A in gallons}}{1,000,000}$ and add this to an amount of water just sufficient to fill the gauge glass C, which may be found by trial.

The tank A must of course have vertical sides, *i. e.*, it must have a uniform section throughout its height.

23. Water should also be distributed from carts or otherwise up and down the work during working hours. When the water-supply is distant from the works, water carrying gangs may be formed, and tasks prescribed for them.

24. All wells in use should be disinfected with permanganate of potash* at least once a week. This should be done in the evening after work closes. Two ounces of the salt should be used for an average sized well. The exact quantity necessary can be judged by observing the colour of the water 15 minutes after disinfection. It will have a deep rose tint. The purer the water the deeper the tint. A fourth part of the quantity of permanganate to be used should be placed in a bucket, which should be then lowered into the well and agitated in the water by alternately lowering and lifting until all the salt has dissolved and become diffused throughout the well. The other three parts should then be added separately and similarly dissolved. Successful disinfection will have been attained if the water shows a faint tinge of pink colour early next morning. Failing this, or if the tinge is brown instead of pink, the process should be repeated that evening, using half the previous quantity of salt, and so on until the desired result is attained. When cholera is out, the disinfection process should be repeated every four or five days. This treatment destroys the organic matter in the water on which the cholera germ lives. Any fish, etc., killed in the process should be promptly removed.

25. Where regularly constructed wells do not exist, temporary ones can often be sunk in a *sadla* or river-bed. These should be as strictly guarded as regular wells. Very great care in securing the water-course from contamination is, however, necessary in this case.

V.—HUTTING AND CONSERVANCY.

26. When it is necessary to hut any of the relief workers at Government expense, the huts should be made as cheaply as possible and gangs of workers employed in their construction. The site chosen should be elevated and well drained, but not too far from the water-supply. If it stands on black soil it may be necessary during the rains to provide a floor of muram in each hut. The hut itself should be 9 feet long by 6 feet wide and 4½ feet high to ridge. It should generally be open in front and closed at the rear, and should face the direction towards which the prevailing wind blows so as to shelter the cooking places in front from the wind. The frame-work of the hut should consist of two pairs of bamboo poles, crossed and with their lower ends embedded in the ground; a fifth bamboo pole should form the ridge. The sides will generally consist of matting or of "gunny" cloth with an additional piece tied over the top. Each such hut will contain an ordinary family. The huts should be arranged in rows and in groups of five, with a clear width of 4 feet between adjacent huts. There should be a 20-foot roadway between each group and a 50-foot roadway parallel to each row of huts. The occupants should not be allowed to cook inside the huts in the fair season. The huts need not be made watertight. The camp site should be swept daily and no one allowed to stay in the camp during working hours except the temporarily indisposed whose removal to hospital is not necessary. Continuous drainage trenches should be dug in front of and behind each row of huts, and cross trenches to the extent found necessary.

27. Latrine arrangements are referred to in section 91 of the Code. A site not nearer than 200 yards from any well or water-supply, and, if practicable, not on the watershed of any tank, either existing or in process of construction, should be chosen, to the windward of the lines, for the latrines. Wherever the soil will admit of it, long trenches, 6 feet in depth, should be dug every day; these trenches should be made for one day in advance of what is required, but each day's ordure must be covered in before daylight. Separate trenches should be set apart for men and women respectively. The labourers should be ordered to kick, after defecation, some of the earth excavated in the trench into it; but a labourer must be constantly in attendance to cover the trench with earth: this can be done with a long rake, and the labourers need never touch the night soil. *Nātas* must on no account be used for latrines. If the soil is rocky and

* Permanganate of potash for use in disinfecting wells should always be issued ready made up in 2 oz. packets. These packets may be conveniently packed 40 in a box, which will thus contain 5 lbs. For instructions regarding the use of permanganate of potash see Appendix VII.

will not admit of the excavation of trenches or if there is not sufficient earth for the purpose, the people must be allowed to ease themselves over a selected site to leeward of, and not nearer than 200 yards from, the lines; the ordure must be daily collected and thrown into a pit ten feet deep; and it must be covered every day with earth or ashes. Latrine sites must always be marked off with yellow flags, and any person easing himself in any place outside the flags should be punished.

28. Kitchen latrines should be in direct communication with the kitchen enclosure, from which they should be distant about 30 yards and connected therewith by a lane, fenced on either side; for the adult dependants there should be trench latrines and for the children ground latrines, consisting simply of a 6" layer of loose earth, which will be removed with the ordure and replaced every evening with sweet earth.

29. A suitable burial ground, with a good depth of soil and as high and as well drained as possible, should be selected at a distance of about half a mile from the central camp or any village. It must not be on the bank of, or near, any water-course or tank. The graves should be dug at least 5 feet deep and 4 feet apart in any direction. In epidemics the graves may be deeper so as to take more than one corpse; but in this case there must not be less than a 4 feet depth of soil over the topmost body. A sufficient number of graves must always be kept ready dug so as to prevent any delay in burying corpses.

30. In epidemics endeavour should be made to arrange for the burning of the corpses in all cases in which there is no religious objection and firewood is procurable.

31. The hut in which a case of epidemic disease has occurred should always be burnt, and those near it evacuated. Soiled clothing which has come in contact with the person seized should also be burnt under the orders of the Charge Officer, with the approval of the medical officer, on payment of fair compensation.

32. When a camp is threatened by an epidemic of cholera or other disease, a corps of stretcher-bearers to search out and remove the sick and dead should be organized, and the men composing it encouraged by being placed in the special class. It is important to organize this corps *early*, as it cannot be improvised when an epidemic is at its height.

VI.—HOSPITALS.

33. A hospital will be attached to each Public Works relief charge. Accommodation should, at first, be provided for 3 per cent. of the probable strength of the workers on a charge. It is not necessary that the whole of this accommodation should be ready before the charge is opened; but quarters for the medical officer and for his dispensary and two general wards, one for male and one for female patients, must ordinarily be ready before a relief charge is declared open.

34. For a charge containing 6,500 persons, including dependants, the following scale, of accommodation is suitable:—

- (a) a shed partitioned into three rooms, each 12 feet x 12 feet, two for the medical officer and one for the dispensary and drug store, with a cook-room in the rear;
- (b) quarters, allowing not less than 100 square feet per room, for two compounders two dressers, a ward boy for each ward, a female nurse for every 30 sick women and children, a sweeper for every 50 sick, two or more *dhobis* as may be necessary, two *dhobis*, two peons or warders and one male and one female cook for every 100 sick;
- (c) six general wards to accommodate a total of 120 patients—separate for male and female;
- (d) two wards for ulcer cases, each to hold 20 patients;
- (e) two wards for cases of diarrhoea and dysentery, each to hold 20 patients;
- (f) twenty huts, each to hold one case, situated at a distance of 400 yards from the hospital; each hut should be 7 feet x 7 feet, and 6½ feet high at the centre, with semicircular roof;

(g) one small-pox ward for 20 cases, also situated at the above distance from the hospital;

(h) one cook-house, with store-room if necessary.

This accommodation may be subsequently added to as required. Sketches showing the general arrangement of the hospital and designs for individual sheds are appended.

35. The wards should face north and run east and west. They should be ridge roofed, 7 feet high at the sides and 10 feet high in the centre. A space of one foot in each side wall immediately under the eaves shall be kept open for ventilation and covered by moveable flaps. The eaves should project 1 foot 6 inches and the door opening should be 6 feet high. The width of the ward should be 10 feet. The length should be sufficient to allow 7 feet to each bed, or 70 square feet of floor space to a patient, which includes a passage of 3 or 4 feet in width between the row of cots and the front wall. Each ward will provide accommodation for 20 patients, the length thus being 140 feet. One relation or friend should be allowed to tend each patient for such period as the medical officer may deem necessary and should be granted the dependant's allowance.

36. The hospital should, if possible, be surrounded by a cheap fence of some kind. The entrance to the compound should be clear of the hutting so that escape in case of a fire may be easy. Infected cholera and small-pox wards must be burnt down when no longer required and the site covered with quicklime, which should then be slaked. Latrine accommodation in the form of screened trenches should be provided to the leeward of the hospital and at a distance of about 200 feet from the nearest ward.

37. The Executive Engineer should arrange to keep each Charge Officer supplied with a stock of cots, mats, hospital clothing and blankets, for issue on indent to the medical officer. Cots may often be cheaply made up on the work itself.

38. Destitute convalescents, who are without sufficient clothing of their own, should on leaving hospital be allowed to retain the hospital clothing they have received.

VII.—MARKET ARRANGEMENTS.

39. Every large work should have a market in a convenient and sanitary situation. The shops should be placed in two rows, facing each other, with a 30 feet roadway between them. Permission to erect shops should be given to all respectable grain-dealers and others applying for it. Food likely to give rise to indigestion and diarrhoea and articles, such as sweetmeats, which the relief workers are not in a position to purchase should be rigidly excluded. Meat should be slaughtered at a place specially selected by the Charge Officer and should be exposed for sale at a distance from the grain market, particular care being taken that no diseased or putrid meat is sold. Persons found using short weights and measures or charging more than the market rates for any article of food should be warned by the Charge Officer, and on a repetition of the offence should be expelled from the camp. The weights and measures used by the various shopkeepers should be tested from time to time.

VIII.—DESTRUCTION OF FLIES.

40. Every effort should be made to combat the danger and nuisance caused by the hordes of house flies, which usually infest famine camps, particularly in the vicinity of kitchens, hospitals, and bazars where food is sold.

41. Careful attention should be paid to the kitchen and hospital latrines, all excrement being completely covered with a layer of dry earth directly it is voided. Special sweepers should be told off for the purpose, and they should be under strict supervision to ensure that they perform their duties punctually and efficiently.

42. No accumulation of rubbish should be permitted to exist in or round the camp. All sweepings and refuse should be burnt as soon as they are collected.

43. All kitchen refuse should be kept in receptacles with closely fitting covers until it is removed. Soiled dressings in the hospital should be similarly protected.

44. All food stuffs, whether in the kitchen, hospital or exposed for sale in the bazar should be covered with pieces of muslin cloth.

45. Sheets of tangle-foot fly-paper should be laid out in convenient places in the kitchens and hospitals, being renewed from time to time as circumstances require.

46. A certain percentage of children taken from D, G and H classes should be detailed every day to catch and kill flies. The Charge Officer shall be empowered to grant small rewards, at his discretion, to those who prove themselves most active in exterminating the pests.

IX.—ORGANIZATION OF RELIEF LABOUR.—THE GANG.

47. A large red flag on a tall bamboo will mark the point where persons seeking relief will assemble. This should be situated at a distance of about 200 yards from the head-quarter camp. Here the Charge Officer will attend daily for the purpose of classifying and forming gangs, after the new-comers have been registered. The time for this will be the early forenoon. Tools will then be issued and the new gangs put to work in the afternoon. The necessary mustering kárkuns must be on the spot to take over their gangs and issue receipts for the tools.

48. The store-keeper will have his hut near the admission station, inside a thorn enclosure, where he will keep his stock of tools and petty stores. A chaukidár will always be on duty at the entrance of this enclosure to see that nothing is removed without authority.

49. A space measuring 150 feet×100 feet near the admission station should be lockspitted into lines of squares, each 10 feet×10 feet, divided by paths 5 feet wide, running lengthways from end to end of the pace. There will thus be 7 lines of squares separated by 6 paths, each line containing 15 squares, of which there will thus be 105 in all. The registering kárkun will sort all the new-comers into village and family groups. A family group, or two or more such groups of fellow-villagers, should be seated in one square, and all the persons from one village in contiguous squares. The relief provided for in section 81 of the Code shall invariably be *at once* given to starving or emaciated persons.

50. The Charge Officer will then visit the ground and select 12 diggers with their families and fellow-villagers. If the number of workers thus made up is less than 50, he should fill up the gang from among the odd lots on the ground. The gang so formed should be re-seated in contiguous squares according to classes and the workers then mustered by the mustering kárkun in whose charge the gang is to be. The dependants, excepting the children in arms of workers, should be sent with a separate list to the kitchen superintendent by whom they will be mustered. Against the head of each family in the working gang list the number of dependants he has in the kitchen should be noted and against the dependants in the kitchen muster roll the number of working gang to which they pertain. The mustering kárkun in the kitchen will expell the dependants of workers daily reported to him by the mustering kárkun of the working gangs as having left the work. The ganger should be selected with due regard to the wishes of the gang and will be given a badge, with the gang number marked thereon, to be worn on his arm, and also a gang flag with a corresponding number. He will be tasked as a B class worker, while entitled to the A class wage, and made to do his full share of the work. He should be an intelligent man, but not one who has brought a number of persons with the object of becoming their gang-z. If a gang after being put to work constantly fails to complete its task, the ganger should be changed.

51. The provisions of sections 101—104 relating to new-comers, weakly persons, nursing mothers, immigrants and aboriginal tribes should receive most careful attention when a gang is being formed. Due provision for filling up depleted gangs should be made.

52. As soon as the gang has been made over to the kárkun, its distinguishing number and the ganger's and mustering kárkun's names should be entered by the Charge Officer in his note-book. The nominal muster-roll should, on completion and after check, be made over in a tin case to the ganger to be kept by him. On procuring the tools required

from the store-keeper, which shall be seen to by the mustering karkuns concerned, the gangs should be marched to their work. Each gang will then have explained to it the nature and quantity of the work to be done, the rates of payment, the regulations regarding conservancy and water and other points.

53. The gang is the basis of all organization and it must be kept as permanent as possible. No one under the Charge Officer has power to make changes in, or additions to, a gang, and the Charge Officer's permission must be obtained when persons wish to exchange into another gang.

X.—TASKS AND SYSTEMS OF WORK.

54. The setting out of the tasks must be done well in advance of the workers and with the following objects in view:—

- (i) to give everyone sufficient room to work in;
- (ii) to give *at least* four days' work to a gang in the same place; and
- (iii) in the case of earth-work, to admit of the *whole* of the excavation in each borrow-pit in progress being measured up daily until it is completed; the wages due for the day can then be calculated by deducting wages already paid from the total amount due for the whole excavation. (This is necessary as it is impossible to make accurate measurements of each day's work separately.)

55. *Working on a road.*—Suppose a road in mixed black soil and average murum is to be embanked 2 ft. high with a top width of 22 ft. and 2 to 1 side slopes. The embankment will contain 52 cubic feet of soil per foot run. The side trenches, if each be taken 10 ft. wide, will then have to be dug a depth of about $2\frac{1}{2}$ ft. with vertical sides. The edges of these trenches, as well as the toes of the embankment, will be lockspitted. Profiles will then be set up at every 50 feet, making the height one-tenth greater than required to allow for settlement, or say 2 ft. 3 in. in the assumed case. The average digger's task may be taken as 90 cubic feet. The lead will probably be 50 ft. with an average lift of 4 ft. The reduced lead will, therefore, be $50 + (4 \times 12) = 98$ feet. Supposing the gang to consist of 25 men, 34 women and 21 children, classified as 1 A, 16 B, 42 C and 21 D class workers, and taking the soil as hard earth, the combined digging and carrying task for the whole gang, as calculated from Table C, will amount to—

$$\begin{aligned} 17 \times 47 &= 799 \\ 42 \times 31 &= 1,302 \\ 21 \times 16 &= 336 \end{aligned}$$

Total ... 2,437 cubic feet.

Dividing this by 90, the B class digging task, we find that 27 B class diggers are required. Of these 17 are available from that class, and the C class digging task being two-thirds of that of B class, $10 \times \frac{2}{3} = 15$ C class diggers must be added, leaving 27 C class and 21 D class for the carrying work. From Table B we find that this number of carriers is just sufficient, thus—

$$\begin{aligned} 27 \times 65 &= 1,755 \\ 21 \times 32 &= 672 \end{aligned}$$

Total ... 2,427 cubic feet.

There will, therefore, be no surplus carriers in this gang. It will be able to complete $\frac{2437}{90} = 47$ lineal feet of bank or road per day and, to give it a week's work in one place, a length of 280 feet should be assigned to it. A relief charge of 60 gangs will thus be spread over a length of rather more than three miles of such road and should complete this length in a week.

56. The diggers should be arranged along the borrow-pits on both sides of the road and at one end of their work. They should commence embanking at that end, closing on to each profile as their work reaches it. The work agents will daily measure up the work

Public Works.

completed up to date on each reach and deduct the measurements for which payments have been made. The diggers should be made to break up the larger lumps of earth in the borrow-pits, while the surplus and more weakly carriers will be given the task of breaking up the smaller lumps in the bank itself.

NOTE.—If persons are required for breaking up the clods of earth, the number of C class diggers should be reduced and the extra carriers given this work.

57. *Working in a tank.*—On a tank work the reduced lead is generally so great that it is necessary to retain only the strongest men as diggers, using the remainder of the gang as carriers. The size and depth of the excavation also permits of the diggers working at a vertical face two or three feet high, thus allowing them to do more work. On the other hand any close packing of gangs leads to confusion and may also lead to fraud. In all works it is necessary to preserve, not only the gang as a unit, but each mustering kárkun's party as another unit. The marking out of a tank must therefore have three objects in view, besides the usual one of apportioning the diggers and carriers correctly. These are—

- (i) to give every digger a good "face" to work on;
- (ii) to keep the gang, as well as the party, distinct; and
- (iii) to fit in as many parties as possible without overcrowding or interfering with, each other's work.

To attain the first object, the excavation depth should be divided into stages, each stage being about 18 inches deep and a line of diggers put on to each stage; the second is attained by keeping a path or dividing strip between each gang and its neighbours; the third, by careful arrangement of the dividing strips. The total depth of the excavation will usually be between 4 and 6 feet; this will give 3 to 4 stages. The area of excavation will vary considerably, but generally will be between 200 and 600 feet square.

58. In all cases the work commences with a single line of diggers excavating the full depth of their stage until there is room (say 10 feet) behind them for a second line to enter and so on. The full measurements of each strip and stage dug up to date must be taken daily and the total of the measurements made on previous days deducted. The place where each gang or party has to deposit its spoil should be carefully marked out beforehand and profiles set up if necessary.

59. A tank to be deepened 5 feet in ordinary earth over an area say 200 feet square will give a mean reduced lead of about 300 feet and afford 200,000 cubic feet of work. If the gang consists, as before, of 25 men, 34 women and 21 children and is classified also as before, the total combined digging and carrying task over a reduced lead of 300 feet will, from Table C, amount to 1,733 cubic feet. A party of 5 gangs of this strength should thus do the whole work in 23 days. Fifteen diggers will be required per gang, the remainder being carriers. Each digger should be given a 3 feet width; and with 3 stages there will be in each gang 5 diggers per stage per gang to a 15 feet width of face. The dividing strips or paths being each 4 feet wide, a total width of 41 feet will be necessary for a party of 5 gangs.

60. In rear of every relief charge there should be a sufficient number of finishing gangs of trained workers under an intelligent ganger whose duty it shall be to trim the work and finish it off satisfactorily. They shall only be put on to a particular part of the work after the work already done in that part has been carefully check-measured, either by the Sub-divisional Officer himself or a permanent Public Works subordinate specially deputed by him. An excavated tank shall be finished off in this manner. No particular task can be assigned to these gangs. They must be kept up to their work by their gangers and the mustering kárkun in charge of them, or a sub-maistri may be placed over them.

61. *Murum Collection.*—Only good hard murum of between 1" and 2½" gauge, free from all impurities and of good weathering quality, should be stacked, but all the material actually dug must be taken into consideration in making payment. Probably the best method of payment will be to fix an equitable rate for the murum removed from each quarry. This rate should be fixed by the Public Works Sub-divisional Officer after personal

inspection of the quarry and on consideration of the distance the murum has to be carried, its hardness and accessibility, &c., and reported by him for confirmation to the Executive Engineer, who shall then inform both the Collector and the Charge Officer of the rates finally decided on. The rate will generally be about $1\frac{1}{2}$ times that payable in ordinary years. The heaps should measure $10' \times 20' \times 28''$, the cubic contents of such a heap, when freshly measured, being taken as 400 cubic feet, so as to allow for settlement. The rate having been arrived at, it will be necessary to frame a task table showing what quantity of clean murum (including the allowance of one-sixth extra for settlement) must be stacked daily by an able-bodied B class worker in order to earn the full wage, C and D class workers being allotted respectively $\frac{2}{3}$ and $\frac{1}{3}$ of the B class task. The task table should be on the lines of Tables E and F framed for village works in Appendix V. The workers will not, of course, be individually tasked, but the sub-gangs must be.

62. Payments being made daily, the method of recording the measurements must be quite systematic, and completed stacks should be fully paid for before being white-washed over. Each stack should be given a separate number, with which it should be marked and by which it should be denoted in the measurement book. The measurements of each stack must be kept separately, so that the work done each day can always be accurately determined.

NOTE.—As the lead increases on account of the accumulation of stacks near the quarry the rate fixed must be raised.

63. *Metal-breaking.*—This form of work often affords useful employment to the weakly gangs and to the excess carriers in the able-bodied gangs, and can often be advantageously combined with road work, whether a new road is under construction or improvements to an existing road are being carried out. Persons employed on it should be gauged separately from those employed on earthwork, and a sufficient number of able-bodied stone-getters told off for each party of breakers.

64. Metal-breaking may also be advantageously resorted to in cases where the numbers on the works are constantly fluctuating, as they often do when sowing operations are in progress in the rains, the reason being that individual tasking in connection with this form of work is possible, and the constant re-arranging of gangs is not necessary as it is in the case where individual tasking is impossible and gangs are constantly being depleted.

65. The stone must be broken into cubes and be free of chips and debris. It should be of good hard quality, and should pass in any direction through a 2" ring. Iron rings of this size must be supplied to the workers in sufficient numbers to allow of all learning what the size of the metal should be.

66. It is found that of the stone usually used for metalling or ballasting, an ordinary B class worker can break from $4\frac{1}{2}$ to 5 cubic feet per day, a C class worker from 3 to $3\frac{1}{2}$ cubic feet, and a working child from $1\frac{1}{2}$ to 2 cubic feet. For stone of hard quality the tasks for classes B, C and D should be $4\frac{1}{2}$, 3 and $1\frac{1}{2}$ cubic feet, respectively, and for the softer kinds up to 6, 4 and 2 cubic feet; these tasks are suitable after some experience of the work has been gained by the workers.

67. Each gang should depute from 6 to 8 strong men to do the work of quarrying the stone and breaking it into blocks of from 5" to 8", suitable for conversion into metal. These men will be classed as B class workers if there are plenty of them available; otherwise they must be put into the special class as an encouragement to work, as the outturn of the rest of the gang depends largely on their efforts. A sufficient number of the weaker persons in C and D classes should also be told off from each gang to carry the small blocks from the quarry to the breakers, the number varying with the lead. Where quarrying is not necessary, carriers only should be employed to get the stone for the breakers, their numbers in that case varying both with the lead and the extent to which suitable stone is available.

68. In metal breaking it will facilitate matters if the gangs are formed so that each gang is of sufficient strength to break the same quantity of metal. The proportion of

quarrymen and carriers required for each gang will then be fairly constant. Their numbers must be adjusted, however, to actual requirements from time to time. The tasks executed by the stone-getters of the various gangs should be compared and those who show a short outturn of work paid in proportion to the earnings of those who do the most work; if the getters in any one gang fail to provide the breakers with a sufficient quantity of stone, their number must be increased, with the result that each will earn a smaller wage.

69. Where possible, the breakers should be tasked individually, measurements being taken and recorded each evening. A careful check must be kept on these small measurements by comparing them with the final measurements of the stacks, each measuring 20' x 10' x 26" (counted as 400 cubic feet), into which the metal should be thrown daily, each gang's work being kept distinct and each metal stack being given a separate number, to be shown, along with that of the gang which broke it, in the measurement book. Where the recording of individual measurements is not deemed feasible, separate measurements for each sub-gang, usually consisting of one family, should be taken. To avoid demoralisation caused by measurers favouring particular gangs to the detriment of others in their recorded measurements, the peg system may be utilized by which bases are marked out for each sub-gang according to its strength, and pegs uniformly notched to indicate the height to which metal has to be heaped on the base or the depth to which earth has to be dug out within it to secure full wage, $\frac{3}{4}$ wage, $\frac{1}{2}$ wage, etc., should be supplied to mukadams. By this system each gang will know at the end of each day what wage it is to get and there will be no demoralising uncertainty as to how the wage is arrived at or why one gang gets less than another.

XI.—MUSTER-ROLLS, PAYMENT OF WAGES AND ROUTINE.

70. After a gang has been formed and entered in a muster-roll, no addition to a muster-roll may be made except under the initials of the Charge Officer, who should also place his initials at foot of each class when the muster-roll is first brought into use. He should check a few gangs almost daily and place his initials below the day's entries under each class after doing so. Every inspecting officer should do the same. The muster-roll should be totalled by the mustering kárkun, both morning and afternoon, directly after the roll has been called, the morning's total being placed above the afternoon's, thus $\frac{3}{4}$. All entries must be in ink. A person absent in the morning will have a O placed against his name. If he be present in the afternoon a stroke will be drawn across this O mark from right to left—thus ϕ ; a person present at both roll calls will be marked thus \times ; while a person present at neither shall be marked thus \odot . Presence in the morning and absence in the afternoon shall be denoted by ϕ . The mean of the morning's and afternoon's totals represents the average number present for the day. The morning call should ordinarily be taken at 8 A. M. and the afternoon at 3 P. M.

71. The Charge Officer should arrange to have the mustering kárkuns drilled in their duties for a few days before being put in charge of gangs. The gangs should range themselves for being mustered in the order in which their names appear in the rolls and they should be instructed to repeat their fathers' names when their own are read out, instead of calling out "házar." This tends to prevent personation.

The Gang Book in Form 24 should be maintained on every work so as to keep a record of the work done and to exercise a useful check on fictitious gangs. A counterfoil of the book should be kept posted on the gang board so that any visitor or inspecting officer can easily check the constitution of the gang and its work.

72. Each gang's daily wages will be put by the sub-cashier into a bag with the gang number marked plainly on the outside. The mustering kárkun will assist the ganger in distributing the wages as far as may be necessary. From his own abstract he knows how much each gang has earned and he will, therefore, when handing over the bag to the ganger, inform him as to what the contents should be. The ganger will then open the bag,

count the money and sign or make a mark with his left thumb opposite the number of his gang in the mustering kárkun's daily abstract (Form 25). The distribution of the wages amongst the members of the gang should then at once take place. The wages of absent members of the gang should remain with the ganger for subsequent disbursement. In exceptional cases, where the work has not been measured up in time for calculation of the wages earned to be made and when the Charge Officer has issued a sum *estimated* to cover the day's wages, the mustering kárkun should hand over to the ganger only the exact sum found to have been earned and return the balance to the Charge Officer.

73. The Charge Officer and all inspecting officers shall pay particular attention to the proper up-keep of the muster-roll and be especially on their guard against the introduction of false rolls. If a mustering kárkun is found to be constantly making alterations in his roll he should be dismissed. No erasures are to be allowed, all corrections found necessary being made by drawing a line through the incorrect entry and making a fresh entry above it. All such corrections should be initialled by the Charge Officer or an inspecting officer. If the Charge Officer fails to prevent falsification of muster-rolls, he should ordinarily be got rid of.

74. The constant and systematic taking of check-measurements is another point to which special attention should be directed to prevent complicity between the kárkuns and the work agents. This should be done by the Public Works Sub-divisional Officer himself, as already laid down, the Executive Engineer arranging to check a certain proportion of the Sub-divisional Officer's measurements, either himself or by deputy.

75. Work should go on ordinarily for about nine hours a day, beginning half an hour after sunrise and stopping half an hour before sunset. The hours for beginning and stopping work should be announced by the blowing of a horn. There should ordinarily be an interval of rest in the middle of the day, varying from two to three hours according to the season. The best time for the distribution of wages, so as least to interfere with the work, will be at or about noon.

76. Children in arms of female workers should be collected together during work hours and placed in charge of a nurse in some shady place near the gang, so as to prevent their interfering with the workers.

77. The workers should not be allowed to take the tools home after the day's work. All tools should be stacked every evening in suitable enclosures and under suitable guard and the mustering kárkuns should be held responsible for them.

78. The Executive Engineer must see that no unnecessary clerical work is thrown on the Charge Officer.

XII.—DUTIES OF INSPECTING OFFICERS.

79. Public Works charges should be inspected as often as possible by gazetted officers of the Public Works Department, military officers placed under the orders of the Executive Engineer and the other officers referred to in section 49 of the Code. The particular points to which the attention of an inspecting officer should be directed are indicated in detail in the form of Inspection Report (Form 16); he should not confine himself to criticism, but should as far as possible rectify at the time all errors and defects discovered by him.

Standard tables of tasks on public works.

(To ACCOMPANY APPENDIX IV.)

Explanation of the calculation.

- (1) The tasks are given to the nearest cubic feet: the leads given are "reduced" leads in feet.
- (2) The "reduced" lead (L) equals the horizontal lead plus 12 times the lift in feet.
- (3) The carriers' tasks are based on the following units, which are equivalent to carrying so many cubic feet of soil over a one-foot lead and may be called the carrying duty (D)—*viz.* Class B, 18,000 units; Class C, 12,000 units; and Class D, 8,000 units.
- (4) The carrying task for each class of workers is arrived at by dividing the appropriate duty by the "reduced" lead plus 110 (to allow for the initial effort), *i. e.*, the carrying task = $\frac{D}{L+110}$.
- (5) If K be the digging task and D the carrying duty for Class B, the combined digging and carrying task for Class B is calculated by the formula $\frac{D \times K}{D + K (L + 110)}$.

PUBLIC WORKS—TABLE A.

Digging and filling tasks.

Material.	TASK PER DAY FOR A WORKER OF CLASS		
	B	C	D
	Cubic feet.	Cubic feet.	Cubic feet.
Ordinary earth ...	120	80	40
Hard earth or soft murum...	90	60	30
Average murum ...	60	40	20
Hard murum ...	40	26	13
Rocky murum ...	20	12	6
Metal and gravel ...	240	160	80

- NOTES.—(1) The task for earth and murum includes the labour both of digging and of filling into basket: that for metal and gravel is for filling into basket only.
- (2) The diggers' tasks must be carefully adjusted to suit the material to be dealt with by each gang, intermediate tasks being given for soils which differ from those entered in the table.
- (3) The diggers should always have spare baskets which they can fill and keep ready for the carriers, thus avoiding loss of the latter's time.

Public Works—TABLE B.

Carrying tasks for earthwork.

Reduced lead.	Class B.	Class C.	Class D.
Feet.	Cubic feet.	Cubic feet.	Cubic feet.
From 0 to 100	97	65	32
101—150	77	52	25
151—200	63	42	21
201—250	54	36	18
251—300	47	31	16
301—350	41	28	14
351—400	37	25	12
401—450	34	22	11
451—550	30	20	10
551—650	25	17	8
651—750	22	15	7
751—850	20	13	7
851—950	18	12	6
951—1050	16	11	5
1051—1150	15	10	5
1151—1250	14	9	5
1251—1450	12	8	4
1451—1650	11	7	4
1651—1850	10	6	4
1851—2050	9	6	3

NOTE.—Leads should ordinarily be limited to 600 feet as a maximum, and carrying over leads exceeding 1,000 feet resorted to only in cases of extreme necessity.

PUBLIC WORKS—TABLE C.

Combined digging and carrying tasks.

Reduced lead.	ORDINARY EARTH.			HARD EARTH OR SOFT MURUM.			AVERAGE MURUM.			HARD MURUM.		
	Class			Class			Class			Class		
	B.	C.	D.	B.	C.	D.	B.	C.	D.	B.	C.	D.
Feet.	c. ft.	c. ft.	c. ft.	c. ft.	c. ft.	c. ft.	c. ft.	c. ft.	c. ft.	c. ft.	c. ft.	c. ft.
From 0 to 100	54	36	19	47	31	16	37	25	12	28	19	9
101— 150	47	31	16	41	27	14	34	22	11	26	18	9
151— 200	41	27	14	37	25	12	31	20	10	24	16	8
201— 250	37	25	12	34	22	11	28	19	9	23	15	7
251— 300	34	22	11	31	20	10	26	18	9	21	14	7
301— 350	31	20	10	28	19	9	24	16	8	20	14	7
351— 400	28	19	9	26	18	9	23	15	8	19	13	6
401— 450	26	17	9	25	17	8	22	14	7	18	12	6
451— 550	24	16	8	22	15	7	20	13	7	17	11	6
551— 650	21	15	7	20	13	7	18	12	6	16	10	5
651— 750	19	13	6	18	12	6	16	11	5	14	10	5
751— 850	17	11	6	16	11	5	15	10	5	13	9	4
851— 950	15	10	5	15	10	5	14	9	5	12	8	4
951—1050	14	9	5	14	9	5	13	8	4	12	8	4
1051—1150	13	9	4	13	8	4	12	8	4	11	7	4
1151—1250	12	8	4	12	8	4	11	7	4	10	7	3
1251—1450	11	7	4	11	7	4	10	7	3	9	6	3
1451—1650	10	6	3	10	6	3	9	6	3	8	6	3
1651—1850	9	6	3	9	6	3	8	6	3	8	5	3
1851—2050	8	5	3	8	5	3	8	5	2	7	5	2

NOTE.—To find the required number of diggers and carriers respectively in a gang, calculate from this table the full quantity of daily work to be done by the gang and divide the result by the digging task: the quotient will be the number of diggers (Class B) required, the remainder of the gang will be employed as carriers.

PUBLIC WORKS—TABLE D.

Tasks for filling, carrying and stacking metal or gravel.

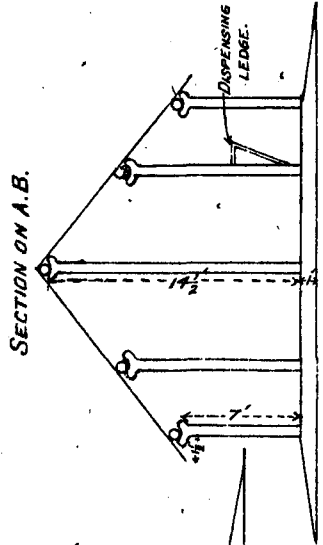
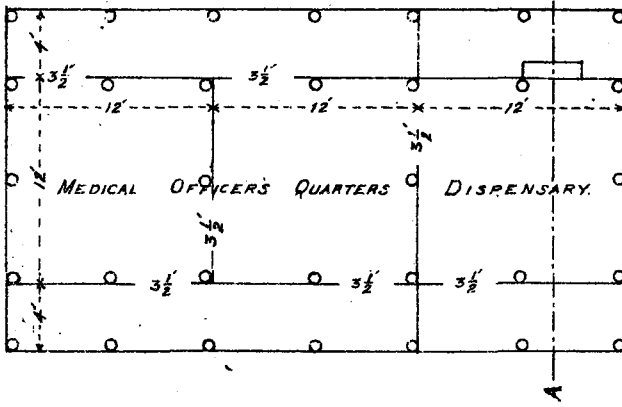
Reduced lead.	Class B.	Class C.	Class D.
Feet.	c. ft.	c. ft.	c. ft.
From 0 to 100	70	46	23
101—150	58	39	20
151—200	50	33	17
201—250	44	29	15
251—300	39	26	13
301—350	35	24	11
351—400	32	22	10
401—450	30	20	10
451—550	27	18	9
551—650	23	15	8
651—750	20	14	7
751—850	18	12	6
851—950	17	11	6
951—1050	15	10	5
1051—1150	14	9	5
1151—1250	13	9	4
1251—1450	12	8	4
1451—1650	11	7	4
1651—1850	10	7	3
1851—2050	9	6	3

NOTE.—Leads should ordinarily be limited to 600 feet as a maximum; and carrying over leads exceeding 1,000 feet should be resorted to only in cases of extreme necessity.

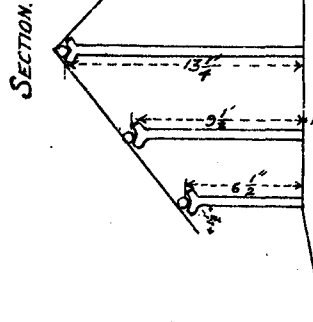
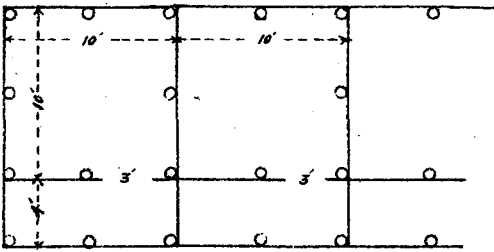
DETAILS OF HOSPITAL BUILDINGS.

SCALE 8 FEET = 1 INCH.

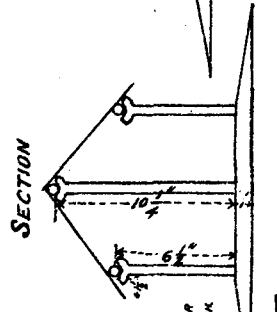
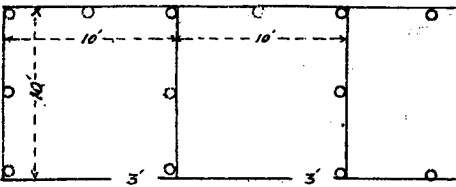
MEDICAL OFFICER'S QUARTERS & DISPENSARY.
PLAN.



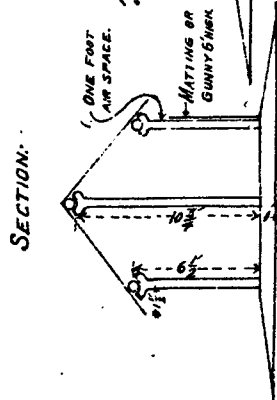
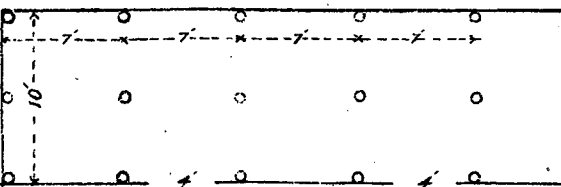
QUARTERS FOR COMPOUNDERS, DRESSERS, ETC.
PLAN.



QUARTERS FOR PEONS, BHISTIS, WARD BOYS, ETC.
PLAN.



GENERAL WARDS.
PLAN.



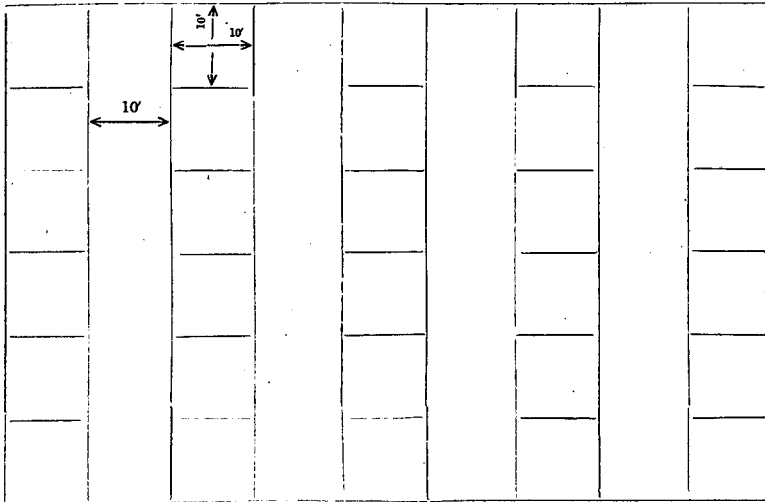
APPENDIX V.

(See note to Chapter VIII.)

Management of Village Works.

1. The system of tasking and measurement on village works should be such that the manager will be able to do most of the work himself, without the assistance of either a measuring or any considerable clerical staff. The digging and embanking of tanks, clearing of sites, removing of prickly pear, etc., is the most suitable form of labour for such works.

2. *Tank works.*—The ground to be excavated should be first laid out in rows of squares 10 feet x 10 feet, running the full length of the embankment, with a path 10 feet in width leading to the embankment between each row of squares, as shown below :—



Squares should be laid out along the *full* length of the embankment in order that as much excavation as possible may be done at short leads before going on to the longer leads. The squares should be laid out by means of bamboos each 10 feet long (the bamboos should also be marked in quarter lengths for the purpose of afterwards measuring the work done). Each square when dug to the depth of one foot will represent 100 cubic feet of work. After two adjacent rows of squares have been excavated, the intermediate path should be similarly divided into 10 feet x 10 feet squares for excavation.

3. Two tables are attached :—

E.—Showing the amount of wages due for a *digging* task of 100 cubic feet in varying soils.

F.—Showing the amount of wages due for a *carrying* task of 100 cubic feet at varying

- "reduced" leads up to 850 feet. Leads in excess of 850 feet are not suitable
- for village works. (The "reduced" lead is arrived at by measuring the distance from the square to the place where the earth is to be thrown and adding to it 12 times the vertical lift or height to which the earth has to be raised in the carrying process. The initial effort of lifting the basket has been allowed for in the rates, and so has not to be added to the lead.)

Village Works.

The amount payable per square (*i. e.*, 100 cubic feet of earthwork) will be the sum of the digging and carrying rates. The depth of the excavation need not be limited to one foot, but should not exceed four feet. The rates for each 100 cubic feet of earthwork will remain the same whatever the depth of the excavation.

are
ate
so

(No. XI.)

CORRECTION SLIP TO THE BOMBAY FAMINE RELIEF CODE, 1912.

Page 126.

At the end of paragraph 5 of Appendix V. to the Famine Relief Code, for "4 + 8 = 12 pice" substitute "4 + 10 = 14 pice".

[Vide No. 5467, dated 27th May 1916, Revenue Department.]

H 388 .

7. As soon as a square has been completed and paid for, the earthen pillar left in the centre of each to show the depth it has been dug shall be removed, if possible in the presence of the village panch, the members of which shall also witness and attest the payments.

8. Weakly persons should be formed into separate gangs and put to work at a little distance from the ordinary workers. For each weakly gang the amount payable per square should be raised to such a figure as will give the gang a fair chance of earning the maximum wage. Weakly persons can often be advantageously employed on light work, such as clod-breaking. It must be remembered that in no case are the wages of the weakly to be less than the dependant's allowance (section 112 of the Code).

9. *Road-making or murum collection.*—When the workers are employed on road-making or collecting murum a similar procedure can be followed by dividing the ground where borrow-pits have to be dug or where cuttings have to be made into plots of 100 square feet.

10. *Metal-breaking.*—On metal-breaking the procedure laid down in paragraphs 63 to 69 of Appendix IV should be followed, with the modification that the breaking tasks will be as follows:—

	Class B.	Class C.	Class D.
	Cubic feet.	Cubic feet.	Cubic feet.
Hard stone (<i>e. g.</i> , the ordinary boulder trap)	6	4	2
Less hard stone ... up to	8	5½	3

11. The Collector will arrange for the supply of tools, &c., required for village works, indenting for them on the Executive Engineer if necessary. The manager will be held responsible for all tools and dead stock articles issued for the work and must make proper arrangements for their safe custody. The workers should not be allowed to remove tools from the work.

12. The strength of establishment on each village work must be fixed by the Sub-divisional Officer or by the Special Relief Officer, and the manager must not appoint men without sanction. On a small work of, say, not more than 200 workers, the manager will require no clerical assistance, and only one or two messengers on daily wages to fetch money, assist in marking out squares and making payments, &c., will be needed. For larger works one kárkun (on, say, Ra 10 per mensem) for each 300 workers may also be allowed. The number and date of the order sanctioning establishment must always be quoted in pay bills.

13. When a village work is started, it is of the greatest importance that some officer—the village works inspector, Sub-divisional Officer, Special Relief Officer or Relief Mámálatdár—should remain on the work for a day or two to instruct the manager in his duties and see the work fairly started. After the work is started, it should be carefully inspected not less often than once a week by one or other of the above officers.

14. If a village works inspector is appointed, he should move actively about the district inspecting each village work as often as possible. He should help to start works, instruct managers in their duties, correct all errors on the spot, bring to the notice of the Sub-divisional Officer or Special Relief Officer any deficiency of tools or establishment and prepare simple plans and estimates as required for new works. Subject to the general control of the Collector, he should take his orders, in each sub-division, from the Sub-divisional Officer or Special Relief Officer, and should submit a weekly diary to the Collector through the Sub-divisional Officer or Special Relief Officer in whose charge the week has been spent. The diary should be returned by the Collector to the Inspector, with orders on any doubtful points.

15. The principal points for an inspecting officer to look to are:—

- (a) Obtain the muster rolls (and daily registers) and see that they are written up to date in ink.
- (b) Check the number and class of workers in each gang at its own square, with the entry in the muster rolls. The whole number of workers can be checked in this way in a short time but all the gangs under at least two of the mustering kárkúns should be checked.
- (c) Check the number on daily wage and see that it is not excessive.
- (d) Compare the attendance for the day with the record for several previous days and examine any great variations. The fabrication of false muster rolls which is the fraud most likely to occur is indicated by a sudden fall in attendance on the day of inspection.
- (e) Have the workers brought tickets of admission if such are required on the work?
- (f) Question them on the muster roll as to the amount and dates of payment.
- (g) Are squares methodically marked out, in lines parallel to the bund and well in advance of the day's requirements?
- (A) Is space left between each square for the carriers?
- (i) Are the gangs under each kárkun working in separate blocks and are the weakly gangs, if there are any, set to work in a block by themselves?
- (j) Are the rates per square properly calculated on the correct price basis? As the rates for one or two lines of squares will be uniform, it is useful to have the lines marked off with short bamboo poles bearing a placard showing the calculations and resulting rate?
- (k) Are tools properly distributed, *e. g.*, for digging a square in soft earth one pick is enough but in average murum two must be supplied to the gang?

Village Works.

- (l) Do the workers carry the spoil to the bund or are they disposing of it otherwise (as they are apt to do if the lead is long and supervision slack) ?
- (m) Has the profile of the bund been set out properly and is a waste weir channel being dug when required ?
- (n) Check a proportion of the work done by actual measurement, noting in particular whether the square measures are correct.
- (o) Check the manager's accounts comparing the entries in the muster rolls and the weekly advices from the treasury.
- (p) See whether the cash balance is sufficient or excessive.
- (q) The incidence of expenditure (i) for work done, (ii) per unit relieved, first for the last week and secondly up to date, should be specially examined.
- (r) Check the stock account of tools, see that the supply is sufficient and that the arrangements for the daily receipt from and issue to the workers is adequate.
- (s) See that the water-supply is sufficient.

16. The system of water-supply shall, so far as possible, be the same as on public works (Appendix IV, Section IV).

VILLAGE WORKS—TABLE E.

Table showing the amount of wages due for a digging and filling task of 100 cubic feet of varying soils and with a varying price-basis.

a 1721-83

Material.	Price-basis, lbs. per rupee.																				
	12	13	14	15	16	17	18	19	20	21	22	23	24	25	26	27	28	29	30	31	32
	Pice.	Pice.	Pice.	Pice.	Pice.	Pice.	Pice.	Pice.	Pice.	Pice.	Pice.	Pice.	Pice.	Pice.	Pice.	Pice.	Pice.	Pice.	Pice.	Pice.	Pice.
Ordinary earth ...	8	7	7	6	6	5	5	5	5	4	4	4	4	4	4	4	3	3	3	3	3
Hard earth and soft murum ...	10	9	9	8	8	7	7	6	6	6	6	5	5	5	5	5	4	4	4	4	4
Average murum ...	15	14	13	12	11	11	10	10	9	9	8	8	8	7	7	7	7	6	6	6	6
Hard murum ...	24	22	20	19	18	17	16	15	15	14	13	13	12	12	11	11	10	10	10	9	9
Metal and gravel ...	4	4	3	3	3	3	3	3	2	2	2	2	2	2	2	2	2	2	2	2	2

NOTE.—(1) The rates for earth and murum include the labour both of digging and of filling into baskets; the rates for metal and gravel are for filling into baskets only.

(2) This table is based on a task one-third heavier than that on public works and includes filling into baskets. The following formula has been used, viz., $E = D \times W$,

where E = the rate in pice per 100 cubic feet dug,

D = number of diggers (Class B) for 100 cubic feet of soil = $\frac{100}{\text{mk}}$

and W = Class B wage = 18 chhataks reduced to pice.

(3) One-third of a pice and fractions over one-third are taken as one pice; fractions less than one-third of a pice are omitted.

VILLAGE WORKS—TABLE F.

Table showing the amount of wage due for a carrying task of 100 cubic feet earth at varying leads and with a varying price-basis.

Reduced lead.	Price-basis, lbs. per rupee.																				
	12	13	14	15	16	17	18	19	20	21	22	23	24	25	26	27	28	29	30	31	32
<i>Feet.</i>	Pice.	Pice.	Pice.	Pice.	Pice.	Pice.	Pice.	Pice.	Pice.	Pice.	Pice.	Pice.	Pice.	Pice.	Pice.	Pice.	Pice.	Pice.	Pice.	Pice.	Pice.
0—100 ...	12	11	10	10	9	9	8	7	7	7	6	6	6	6	5	5	5	5	5	5	5
101—150 ...	16	14	13	12	11	10	10	9	9	9	8	8	8	8	7	7	7	7	7	7	7
151—200 ...	19	17	15	14	13	12	12	11	11	10	10	10	10	9	8	8	8	8	8	8	8
201—250 ...	22	20	18	17	16	15	14	13	13	12	11	11	11	11	9	9	9	9	9	9	9
251—300 ...	25	23	21	19	18	17	16	15	14	14	13	13	13	12	10	10	10	10	10	10	10
301—350 ...	29	26	23	21	20	19	18	17	17	16	15	15	14	14	12	12	12	12	11	11	11
351—400 ...	32	29	26	25	23	21	20	19	18	17	17	17	16	16	13	13	13	13	13	12	12
401—450 ...	35	32	29	27	25	23	22	21	20	19	18	18	17	17	14	14	14	14	14	13	13
451—550 ...	41	36	33	31	29	27	26	24	23	22	21	21	20	20	17	17	17	17	16	16	16
551—650 ...	46	41	37	35	32	31	29	27	26	25	24	24	23	22	19	19	19	18	17	17	17
651—750 ...	53	47	43	40	37	35	33	32	30	29	27	27	27	26	22	22	22	21	21	20	20
751—850 ...	59	53	48	45	41	39	37	35	33	31	30	30	30	29	24	24	23	23	22	22	22

NOTES.—(1) This table is based on a task one-third heavier than that on public works, i. e., the units are as follows :—class B, 24,000 ; class C, 16,000 ; class D, 8,000, in lieu of those shown in the task table for public works.

(2) The following formula has been used, viz., $R = C (\frac{1}{3} W_1 + \frac{2}{3} W_2)$ —where B = rate in pice per 100 cubic feet carried, C = number of carriers (class C) for 100 cubic feet of soil = $\frac{100}{\text{task}}$, and W_1 and W_2 = the respective daily wages of a class C and a class D worker.

$\therefore R = C (\frac{1}{3} \times 14 + \frac{2}{3} \times 10) = C \times 14.66$ chhataks reduced to pice.

(3) One-third of a pice and fractions over one-third are taken as one pice ; fractions less than one-third of a pice are omitted.

APPENDIX VI.

(See section 168.)

Management of Poor-houses.

The staff of a poor-house should generally consist of—

- (i) a superintendent, who if possible should be a medical man ;
- (ii) a medical officer, if the superintendent is not a medical man ;

NOTE.—When the poor-house is in the neighbourhood of a permanent dispensary, the dispensary hospital assistant will often be able to perform the duties of medical officer.

- (iii) a store-keeper ;
- (iv) one *karkun* for each 100 inmates ;
- (v) two peons, one for the superintendent and one for the medical officer ;
- (vi) two or more gate-keepers, so that one may always be on duty at the gate ;
- (vii) a sufficient number of warders to allow half the number to be always on duty ;
- (viii) one male and three female cooks for each 100 inmates ;
- (ix) water-carriers, sweepers and scavengers to the extent } to be selected, as far as possible, from the inmates of the poor-house.

2. The *superintendent* will be immediately subordinate to the Special Relief Officer. He must be acquainted with English and the vernacular of the *taluka* in which he is employed ; he will be responsible for the maintenance of discipline and the enforcement of sanitary regulations within the poor-house and should see that all forms and registers are properly kept up to date ; his constant attention must be given to the prevention and detection of fraudulent practices or misappropriation of food issued to inmates ; he should be present at the receipt and issue of rations at meal-times, and also when the inmates are aroused in the morning and when they are sent to their sleeping quarters at night ; he should visit the latrines morning and evening after each cleaning, and the sleeping quarters after they have been swept ; and he should pay special attention to the water-supply.

3. The *medical officer*, who may also be the superintendent, will be responsible that all the requirements of a hospital are provided. He should keep a nominal register of all admissions, their diseases and history, and furnish the superintendent with all information required for his returns. He should constantly inspect the inmates of the poor-house, to see if they are improving or the reverse, and give out-door treatment to those in need of it, not forcing them to enter the hospital unless this is absolutely necessary. For those who are specially emaciated he should prescribe special diet, such as milk, etc. He should at once report any insufficiency or badness of the food, and any case in which he thinks that the work exacted is too severe for any of the inmates.

4. The *store-keeper* will procure supplies on indents furnished to him by the superintendent and medical officer and keep an account of the receipt and issue of stores and food. He will also maintain the necessary returns and registers prescribed for poor-houses.

5. The *karkuns* will each be in charge of a mess of 100 inmates. They will muster them twice daily, before the morning and evening meal ; they will draw the raw rations from the store-keeper and issue them to their mess cooks ; they will be present when the cooked food is distributed and while it is eaten, so as to preserve order and see that each member of the mess receives his correct ration and eats it on the spot. They will also supervise any work done by the inmates.

6. The *warders* will maintain order, both day and night ; prevent the committal of nuisances ; report all cases of illness to the superintendent or medical officer ; superintend the sweeping of the wards ; turn out the inmates from, and see that they return to, their sleeping quarters at the appointed hours ; escort them to the latrines ; and visit the sleeping quarters hourly during the night.

7. The *cooks* should be selected from amongst the inmates, if they are sufficiently strong for the work, with special reference to caste requirements. Their duties are to cook and distribute the food twice a day to their messes. In addition to their food they should receive pay at the rate of $1\frac{1}{2}$ annas per diem for males and 1 anna for females.

8. The *sweepers* should be selected from the female inmates; every morning they should sweep the whole area of the poor-house, under the superintendence of a warder; after meals, all rubbish collected should be deposited outside the enclosures in some selected spot, where it should be burnt by the scavengers; they may be given one anna a day in addition to their food.

9. The *scavengers*, who may be given one anna a day in addition to food, will remove the night chatties at 5 A.M. and clear out the latrines after use. They will replace the chatties in the evening and again clean the latrines and fill up the latrine water pots. During the day, they should remove the sweepings from the enclosure and dig pits for the reception of the night-soil.

10. The *food* should be cooked and distributed twice a day, usually at 9 A.M. and 4-30 P.M. If necessary, a stock of grain can be stored; but ordinarily it will be sufficient to contract with a dealer to provide the daily requirements: provided that there is always enough grain in store for two days' supply and enough flour for the following day, the grain being ground on one day for the next. The work of grinding the grain should be done by the female inmates of the poor-house, as far as possible. The flour should be carefully weighed out for cooking, and a definite relation fixed by experiment between the weight of the raw and the cooked food, and the latter should be tested constantly by weighing by the superintendent and inspecting officers, who should also see that the food is thoroughly cooked and is served in as palatable a state as possible. The pulse should contain a certain quantity of condiments, according to local custom. The cooking operations take time and the earlier cooked *chapātis* are therefore cold and heavy; the later cooked and warm rations should be issued to the very old and toothless, and the earlier to the more robust. Care should be taken that the flour is of the very best quality, as the presence of husk or any foreign matter may give rise to bowel diseases. It will often happen that the people on first arrival are too weak and exhausted to be able to digest flour *chapātis*, and it is then better to give them boiled rice and *dāl* for the first few days; this is especially the case with children and old people, who often contract diarrhoea if given a solid ration on arrival. A porridge made by mixing one *seer* of flour with five or more *seers* of water and one *chhatuk* of salt, the mixture being boiled down by about one-fifth part, is a refreshing diet, not too heavy to endanger constitutions weakened by starvation.

11. The *water-supply* must be carefully guarded and should be drawn from a well outside the poor-house but not too far away. Only the specially appointed staff should be permitted to draw the water or to dip their vessels into it, and no washing shall be allowed at or near the well. The pots used for storing the water must be cleaned out daily and servers appointed to dole it out. If a cholera epidemic threatens, the well must be frequently disinfected as described in paragraph 24 of Appendix IV and once a week at other times. For bathing and washing purposes a second well should be selected at some distance from the poor-house and the drinking well. It should have a trough or bath, to which the paupers should be marched in detachments to bathe, as often as is thought good, with reference to the climate and time of the year. Another trough should be used for washing clothes in.

12. *Medical*.—The medical subordinate in charge should be well acquainted with the symptoms of relapsing fever. The occurrence of a relapse in fever after a remission of a week should excite suspicion. The fourteenth day after the commencement of a primary attack followed by a remission is the one upon which the relapse is most likely to occur. Should such a case occur, it is desirable to isolate the patient. The gums of all inmates should be examined in case of scurvy. The issue of a ration of vegetable twice a week is very desirable.

13. *Sanitary arrangements*.—Two night latrines with earthen receptacles should be provided inside the enclosure. Other latrines are best provided on the trench system with a moveable screen. They must be at a sufficient distance, but not too far away. Many of the inmates of the poor-houses will need to be helped to the latrines by the able-bodied, and arrangements should be made for this.

14. Every inmate should be provided with a piece of *chattai* to sleep on over the grass or straw in the hut, and should be made to bring it out every morning, as soon as the sun is well up, and expose it to the sun on both sides for an hour. The grass and straw should similarly be removed, shaken up, and exposed to the sun twice a week. The issue of blankets will nearly always be necessary. In the absence of these, stout "gunny" cloth is better than nothing.

15. Half an hour before sunrise all inmates in the poor-house should be turned out to the latrines and then taken by the warders to the place set apart for ablution. At 8-45 they should fall in by messes in the feeding enclosure to receive food; the sweepers should afterwards sweep up the camp enclosure, and the water-carriers should fill up the filters and supply the cook-room; those whose turn it is to wash clothing should go in charge of a warder to the place set apart for this purpose and the others should be set to such work as they are fit for. All inmates should return at 4 p. m. and fall in for the evening meal; after this the enclosure should be swept up; and the inmates then sent to the sleeping quarters.

16. *Removal of the sick.*—A couple of blanket doolies should be ready at the quarters of the superintendent to remove the sick to hospital. In ordinary cases of sickness, some of the inmates should be made to carry them if unable to walk; but in cases of cholera or small-pox, as well as for the removal and disposal of corpses, it will ordinarily be necessary to employ the village *mahars* (*dheds*) or others.

APPENDIX VII.

(See footnote to para. 24 of Appendix IV.)

Arrangements for the supply of Permanganate of Potash for the disinfection of wells.

The Charge Officer of a famine relief camp shall carry out the disinfection of wells in the camp or in any of the kitchens attached. Wells used by the occupants of poor-houses shall be disinfected, when necessary, by the superintendent in charge. The disinfection of village wells in the neighbourhood of relief camps or works shall be undertaken by the Circle Inspectors. Disinfecting operations should be carried out in the manner laid down in paragraph 24 of Appendix IV and, wherever possible, under the supervision of Public Works Department officers.

2. In anticipation of cholera outbreaks the Executive Engineer will, on famine being declared, arrange for the purchase of a total quantity for the district calculated at about two cwts. of the salt per famine affected tálnka, which he will distribute for disinfection purpose wherever required.

3. The permanganate should be kept in 2-oz. packets packed forty in a box ready for immediate use.

4. A supply of not less than one cwt. of the salt shall be kept at each Sub-divisional headquarter station in charge of the Public Works Department.

5. Mámlatdárs will inspect their stocks on 1st March and take steps to keep them replenished to a minimum supply of one cwt.

APPENDIX VIII.

(See sections 29 and 239.)

Utility of temporary dams in streams to prevent waste of water in years of deficient rainfall.

In places in which there is a very heavy rainfall confined to about four months followed by eight months of drought it is a matter of importance to retard the flow of water to the sea as much as possible and to retain all that can be retained through the dry season. Even in ordinary years considerable improvement can be made in the hot weather water-supply, if small sums of money are spent in erecting a series of temporary dams soon after the rains in each of the chief streams and rivers in the neighbourhood of which water fails in the dry season. The necessity and importance of such measures are greatly enhanced when the rain fails.

2. The utility of these dams is not to be measured merely by the amount of water they hold up in the streams themselves, the general raising of the water level of the neighbourhood is also an incidental advantage. The impoundment of water at numerous places along a river reduces the force of the torrent and consequently the washing away of soil further down. On the other hand, the dams may keep back from the lower villages water that would have come to them had there been no dams; but the complaint will come only from those who neglect to make dams for themselves; and anyhow they probably gain considerably by the gradual percolation of the water held up at the higher level.

3. One more advantage of the construction of dams in years of scarcity is that it provides labour for the class of people who are first hit by a famine—the day labourers who are usually employed in harvesting crops. Moreover it supplies them with labour near their homes and with labour which means little or no expense in the way of tools and establishment, for the villagers themselves will in their own interests see that the work is properly done and only need to be stirred up to get it done early and to be instructed as to how, when and where to build the dams.

4. The dams should generally be built up early, *i.e.*, in September, but the proper time for starting work on them should be left to the judgment of the local authorities of the district. If the work is started too early so much water will be impounded that it will be impossible to build a dam strong enough to hold it at reasonable cost; if it is started too late there will not be enough water saved to justify the cost of the dam. Farther down the source of the stream a later date might be suitable. Experience has shown that the dams should not be confined only to broad rivers, and that temporary dams are sometimes better than costly and *pucca* masonry ones.

5. With a view to facilitating the wider and readier adoption of the measures described above in a year of scanty rainfall and even in ordinary years the Local Boards aided by the usual annual Provincial water-supply grant might have holes bored in the rocky beds of rivers to receive vertical stakes to be used in the construction of temporary dams. In villages in which materials for building dams are not readily to be found, the Local Board might also lay in a stock of stakes, stones and boards to be used for constructing dams when necessary and to be removed again into safe custody at the end of the hot season. There are many Irish bridges on roads in charge of the Public Works Department at which a few feet of water might with great advantage and at little expense be easily held up or at any rate its escape retarded by simply placing boards between uprights fixed in the masonry work when the water gets low. This measure might be adopted every year, only earlier in famine years than in others. In ordinary years a gradual advance can be made towards preparation for the immediate adoption in years of scarcity of all the necessary measures by the expenditure of a small sum every year. All that need be done at once is the selection of sites suitable for dams at intervals averaging, say, one mile in every important stream in the neighbourhood of which there was scarcity of water in 1899-1900.

6. The dams may be constructed under the supervision of the Local Board Overseer or by the people themselves without skilled supervision. The people should be encouraged

Utility of dams
in times of
deficient
rainfall.

to start building the dams early enough. The officer on the spot should promise a lump sum after inspecting the site of the proposed dam; the sum promised should be a fraction of the estimated cost, from one-third to two-thirds according to the people's capacity to pay; a small advance should be given to the patil; and if the work was taken in hand promptly and well executed, the full sum promised should be made up after inspection of the completed dam. In cases of delay or bad workmanship the full sum promised should not be paid and in cases in which the dam proved useless through delay, the advance should be recovered.

7. There is the danger of water becoming stagnant and contaminated by cattle. This should be guarded against by the employment of two village watchmen, put on dole for the purpose, to keep cattle from entering the water and people from bathing or washing clothes in it. It would generally be feasible to allow a little water to flow round one end of the dam and to appoint places for washing clothes or watering cattle below the dam. It would be a good arrangement to have one or two iron or even India rubber syphon-pipes thrown over each dam for this purpose, smaller dams being supplied below the big dam to impound the water escaping through the syphons in separate places for different purposes. As the water gets scarcer the people should be warned not to take it for drinking purposes direct from the stream but to dig holes in the bed of the stream or even on its banks near the impounded water and reserve the water in those holes for drinking purposes; this is a most successful measure and the people will get practically filtered water to drink and much more of it than they would if the dams had not been built.

8. The measures advocated will not serve to save crops except in the immediate vicinity of the dams; but they will greatly mitigate drought and so benefit both men and cattle in many areas which are not reached by the larger schemes of storage of water that are contemplated by Government and may therefore be considered as ancillary measures, along with these larger schemes.

APPENDIX IX.

(See section 231.)

List of Reports and Returns to be submitted by the several officers under the Code.

A.—LOCAL GOVERNMENT TO GOVERNMENT OF INDIA.

(a) In ordinary times.

1. Weekly telegraphic weather summary (App. II 1 to 4).
2. An abstract in Form 3 of programmes of relief works by 1st June every year (sec. 17 and App. II 6).

(b) When famine is impending.

1. Action taken in anticipation of the sanction of the Government of India regarding entertainment of additional establishment or grant of funds (sec. 27).
2. Special preliminary reports regarding the probable extent of distress and the state of affairs [secs. 22 (m), 34 and App. II 7, 8].

(c) During famine.

1. Reports for districts in which gratuitous relief is given to over 1,000 persons without declaration of famine (sec. 35, note).
2. Grants for famine relief expenditure (sec. 244).
3. Inclusion of a railway in the programme of relief works (App. I).
4. Monthly and quarterly narrative progress reports regarding railway works (App. I).
5. The first indication of scarcity and measures taken to ascertain the distress to be given in the weekly telegraphic report (App. II 9).
6. Special telegram regarding famine measures (App. II 10, 11).
7. Report regarding the inclusion in or exclusion from the affected area of a district or State in the famine season telegram (App. II 13).
8. Details of numbers on relief in Form 15 every week (sec. 231 and App. II 15).
9. Monthly report in Forms 11 and 13 (sec. 231 and App. II 16).
10. Statement in Form 14 with the first monthly report (sec. 231 and App. II 18, 19).
11. Special report about suspension, and remissions of land revenue (App. II 20).
12. Special report regarding insufficiency of funds and staff, etc. (App. II 20).
13. Disturbances in the nature of grain riots (App. II 21).
14. Immigration from Native States (App. II 22).
15. Fical report on famine (App. II 23, 24).
16. Copies of important orders, &c. (App. II 25).

B.—FAMINE COMMISSIONER.

1. Report of all important orders issued (sec. 40).
2. Reports and returns prescribed by Government (sec. 40).

B-1.—COMMISSIONER OF DIVISION.

(a) *In ordinary times.*

1. Collector's explanation regarding rise in prices [sec. 7 (c)].
2. Programmes of public and village works in Forms 1 and 2 (secs. 14 and 15).
3. Abstract in Form 3 of programmes of public and village works (sec. 16).

(b) *When famine is impending.*

1. Report regarding impending famine (sec. 26).
2. Intimation to Railway authorities of impending scarcity or famine (sec. 32).

(c) *During famine.*

1. Report regarding dispensing with rest-day allowance (sec. 85).
2. Report regarding grant of dependant's allowances to workers under certain circumstances (sec. 113).
3. Report regarding result of the audit of special relief to weavers (sec. 196).
4. Estimates of famine relief expenditure (secs. 244, 271).
5. Quarterly statement of assignments, etc., to Accountant-General (sec. 247).

C.—COLLECTOR.

(a) *In Ordinary times.*

1. Weekly rainfall and season report [sec. 7 (b)].
2. Report regarding the effect of the rise of prices above normal [sec. 7 (c)].
3. Proposals for the relief of distress, etc. [sec. 7 (d)].
4. Annual programmes of village works in Form 2 to Superintending Engineer not later than 15th January (sec. 15).
5. Extract from the list of persons available for employment on famine relief to Commissioner (sec. 18).

(b) *When famine is impending.*

1. Notice to printing agency for forms for use on relief works, etc. [sec. 22 (f)].
2. Probable requirements of medical officers to Sanitary Commissioner [secs. 22 (g), 42].
3. Report regarding the measures taken on the first warning of scarcity to Government [sec. 22 (h) and App. II 7].
4. Opening of test works and poor-houses to Commissioner (sec. 23).
5. Estimate of the number of persons requiring relief to Accountant General [sec. 23 (j)].
6. Form 4 showing numbers on test works and in poor-houses to Government and Commissioner [sec. 24 (g)].
7. Report regarding impending famine with statement in Form 5 to Commissioner (sec. 25).
8. Report regarding large numbers on test works to Commissioner (sec. 25).

(c) *During famine*

1. Report regarding conversion of test works into relief works and the commencement of gratuitous relief to Commissioner (sec. 38).
2. Report regarding opening of public works in anticipation of sanction to Commissioner (sec. 64).

3. Report regarding application of system of selection on public works [sec. 66 (c)].
4. Report regarding alteration in price-basis to Commissioner (sec. 74).
5. Statement in Form 9 for village servants on relief [sec. 153 (e)].
6. Report regarding names of pátils and village accountants for the payment of additional remuneration (sec. 159).
7. Weekly season telegram in Form 6 to Government [sec. 231 (a)].
8. Weekly statements of rainfall and prices in Form 7 to Government [sec. 231 (b)].
9. Weekly progress return of relief works in Form 8 to Government [sec. 231 (c)].
10. Weekly progress return of gratuitous relief in Form 9 to Government [sec. 231 (d)].
11. Monthly report on the general progress of relief operations in Form 10 to Government [sec. 231 (e)].
12. Monthly Statement in Forms 11, 12 and 14 to Government (sec. 231).
13. Estimates of famine relief expenditure to Commissioner [secs. 244, 245 (c), 270, 271].
14. Report regarding outstanding permanent advances to Accountant General (sec. 253).
15. Return of famine expenditure in Form 65 to Accountant General and Commissioner (sec. 268).

D.—SUPERINTENDING ENGINEER.

(a) In ordinary times.

1. Programmes of public and village works in Forms 1 and 2 to Commissioner not later than 1st March of each year (secs. 14 and 15).
2. Inspection report about reserves of tools, annually (sec. 20).

E.—EXECUTIVE ENGINEER.

(a) In ordinary times.

1. Programmes of public works in Form 1 to Superintending Engineer not later than 15th January of each year (sec. 14).
2. Extract from the list of professional men whose services would be available for employment on works, etc., to Commissioner (sec. 19).

(b) During famines.

1. Reports regarding readiness of public works for being opened and of opening and probable date of completion to Collector (sec. 65).
2. Weekly district progress return in Form 21 to Collector and Superintending Engineer (sec. 93).
3. Notice to the treasury officer of demands for funds (sec. 125).
4. Estimates of famine relief expenditure to Commissioner (sec. 271).
5. Statement of cash and treasury balances to Accountant General (sec. 285).
6. Telegraphic report of cash and treasury balances to Government (sec. 285).
7. Return of receipts in Form 66 to Accountant General (sec. 286).
8. Return of expenditure in Form 67 to Accountant General (sec. 286).
9. Return of expenditure in Form 63 to Accountant General (sec. 290).

F.—DIRECTOR OF AGRICULTURE.

In ordinary times.

1. Monthly summary of rainfall and season reports [sec. 8 (c)].
2. Fortnightly return of retail prices of food-grains [sec. 8 (d)].
3. Statistical Atlas [sec. 8 (g)].
4. Inspection reports of affected tracts to Collector and Commissioner [sec. 22 (b)].

G.—SUB-DIVISIONAL OFFICER.

(a) *In ordinary times.*

1. Report regarding result of observation made in tract unfavourably reported [sec. 6 (d)].
2. Inspection reports in Form 16, to Collector through the Executive Engineer (sec. 49).

(b) *During Famine.*

1. Copies of ledgers in Forms 47, 48, 49 and 50 [sec. 156 (a)].
2. Consolidated statement in Form 65 to Collector [sec. 269 (b)].
3. Copy of cash books with vouchers (sec. 283).
4. Monthly tool return in Form 69 to Executive Engineer [sec. 292(a)].

H.—SPECIAL RELIEF OFFICER.

In ordinary times.

1. Special report on the detection of fraud to Sub-divisional Officer [sec. 55 (c)].
2. Weekly diaries to Collector [sec. 60 (d), (g)].

I.—MAMLATDAR.

(a) *In ordinary times.*

1. Fortnightly diary of Circle Inspectors to Sub-divisional Officers [sec. 5 (b)].
2. Monthly birth and death rate returns to Collector and Sanitary Commissioner [sec. 5 (c)].
3. Report regarding result of observation made in tracts reported unfavourably [sec. 5 (d)].
4. Weekly rainfall returns to Sub-divisional Officers and Collectors [sec. 5 (e)].

(b) *During famine.*

Diary to Sub-divisional Officer (sec. 58).

J.—CIRCLE INSPECTOR.

(a) *In ordinary times.*

1. Report regarding result of personal observation and inquiry about unfavourable information of the season to Mámílatdár [sec. 4 (c)].
2. Fortnightly diary to Mámílatdár [sec. 4 (d)].

(b) *During famine.*

1. Memorandum of errors detected in inspection of accounts to Special Relief Officer through Relief Mámílatdár [sec. 55 (c)].
2. Report regarding unusual sickness or mortality in any village [sec. 55 (d)].
3. Weekly diary to Special Relief Officer [sec. 55 (f)].

K.—VILLAGE OFFICERS.

(a) *In ordinary times.*

Report regarding existence or prospect of distress, etc., to the Circle Inspector (sec. 3).

L.—TREASURY OFFICER.

1. Estimates of probable cash requirements to Accountant General (sec. 246).
2. Bills drawn on sub-treasuries to Collector (sec. 267).
3. Report regarding defalcation or loss of money [sec. 315 (c)].

M.—AUDITORS.

During famine.

1. Audit reports of special relief to weavers to Accountant General (sec. 196).
2. Memorandum of errors, irregularities or defects in accounts (sec. 280).

N.—ACCOUNTANT GENERAL.

During famine.

1. Monthly statement in Form 62 of charges incurred, to Government (sec. 248).
2. Report regarding irregularities or defects in accounts to Government (sec. 266).
3. Report regarding sanction to grant of discount or commission to bankers to Government (sec. 314).

O.—SANITARY COMMISSIONER.

(a) When famine is impending.

Estimate of the additional medical staff likely to be required to Surgeon-General (sec. 30).

(b) During famine.

1. Estimate of extra trained medical staff likely to be required to Surgeon-General [sec. 206 (a)].
2. Requirements of medical officers for each district to Surgeon-General [sec. 206 (c), (g)].
3. Estimate of requirements, of medicines, instruments, etc., to Medical Storekeeper [secs. 206 (h) and 212].
4. Statement in Form 13 of death-rate to Government [sec. 206 (k)].
5. Return in Form 55 of patients treated in hospitals to Government [sec. 206 (l)].
6. Intimation of movements to Collector [sec. 206 (m)].

P.—SURGEON-GENERAL.

During famine.

1. Application for additional assistance to Government (sec. 209).
2. Information regarding postings of medical officers to Sanitary Commissioner [sec. 210 (a)].
3. Copy of order of appointment of medical subordinate to Accountant General (sec. 299).

Q.—MEDICAL OFFICER IN HOSPITAL.

During famine.

1. Diet register in Form 35 and stock register in Form 36 to Charge Officer (sec. 132).
2. Report regarding outbreak of cholera or other epidemic disease [sec. 218 (e)].
3. Extracts from visitors' book to Executive Engineer [sec. 218 (g)].
4. Report regarding defects noticed in inspections to Charge Officer [sec. 219 (n)].
5. Return of patients in hospitals in Form 59 [sec. 220 (f)].

R.—CHARGE OFFICER.

During famine.

1. Copies of orders passed by inspecting officers to Collector and Executive Engineer (sec. 49).
2. Report regarding outbreak of epidemic disease to Public Works Sub-divisional Officer, Executive Engineer and Collector [sec. 39 (g)].
3. Report regarding insufficiency of competition in markets on relief works to Collector [sec. 92 (f)].
4. Daily post-card in Form 19 (sec. 93).
5. Weekly progress return in Form 20 (sec. 93).

List of Reports
and Returns.

6. Weekly general report in Form 22 to Collector (sec. 93).
7. Statement of actual cash balance in Form 29 (sec. 128).
8. Diet register in Form 35 and stock register in Form 36 (sec. 132).
9. Copy of cash-book in Form 27 [sec. 276 (a)].
10. Voucher for wages and cash allowances in Form 32 [sec. 276 (b)].
11. Copy of hospital accounts [sec. 276 (c)].
12. Copy of kitchen accounts [sec. 276 (d)].
13. Monthly tool return in Form 69 to Sub-divisional Officer [sec. 292 (a)].

S.—MANAGER OF VILLAGE WORKS.

During famine.

1. Daily post-card of work done, etc., in Form 40 [sec. 141 (a)].
2. Weekly return of numbers on works, etc., in Form 8 to Mámlatdár [sec. 141 (b)].
3. Copy of weekly bill of expenditure on village works in Form 39 to Sub-divisional Officer [sec. 141 (c)].
4. Weekly bill in Form 39 in duplicate to Sub-treasurer Officer [sec. 142 (b)].

T.—SUPERINTENDENT OF KITCHENS.

During famine.

Bill in Form 46 of expenditure in village kitchens [sec. 163 (b)].

U.—MANAGER OF ORPHANAGE.

During famine.

1. Copy of register in Form 53 of famine orphans to Collector [sec. 181 (b)].
2. Weekly statement of orphans in Form 54 to Collector [sec. 182 (d)].

V.—SUPERINTENDENTS OF POLICE.

(a) *When famine is impending.*

Special reports about increase of crime and of approaching distress to Collector [sec. 22 (c)]

(b) *During famine.*

Report regarding extent of road-side mortality to Collector (sec. 205).

W.—POLICE OFFICERS.

During famine.

1. Special report regarding crime, wandering, starvation, migration, deaths, etc., to District Superintendent of Police (sec. 200).
2. Copy of accounts in Form 51 to District Superintendent of Police (sec. 202).

X.—RAILWAY ADMINISTRATION.

(a) *In ordinary time.*

Report regarding unusual movements of food-grains by rail to Collector [sec. 22 (d)].

(b) *During famine.*

Report regarding certain matters connected with movements of fodder and grain to Government (sec. 241).

FORMS.

No. of form.		Page.	No. of form.		Page.
1	Programme of public works ...	145	39	Weekly bill of expenditure on village works.	199
2	Programme of village works ...	146			
3	Famine statement F ...	147	40	Daily post-card on village works ...	200
4	Statement of test works and poor-houses.	148	41	Village gratuitous relief register ...	201
5	Area and population affected and estimate of the numbers likely to require relief.	149	42	Village dole distribution list ...	"
6	Specimen of weekly famine telegram.	150	43	Village relief ticket ...	202
7	Weekly statement of rainfall and prices.	"	44	Detailed bill for gratuitous village relief in grain.	203
8	Weekly progress return of relief works.	151	45	Detailed bill for gratuitous village relief in cash.	204
9	Weekly progress return of gratuitous relief.	152	46	Weekly bill of expenditure in village kitchen and poor-houses.	205
10	Monthly report on the general progress of relief operations.	153	47	Village gratuitous relief ledger ...	"
11	Monthly famine statement A ...	154	48	Ledger for village kitchens and poor-houses.	206
12	Schedule of information to be given with monthly report.	155	49	Ledger of prices charged for grain supplied for village gratuitous relief.	"
13	Monthly statement C of death-rate...	156	50	Village works ledger ...	207
14	Statement D—Summary of famine statistics.	157	51	Register of casual relief ...	"
15	Statement E of weekly statistics to Government of India.	158	52	Bill for casual relief ...	"
16	Inspecting officer's report on public works.	159	53	Register of orphans relieved in orphanages.	208
17	Admission ticket to works ...	166	54	Weekly statement of orphans in State orphanages.	"
18	Register of persons refused admission order.	167	55	Monthly statement of sick persons treated on relief works and in poor-houses.	209
19	Daily post-card on public works ...	168	56	Nominal register of patients in hospitals.	210
20	Weekly charge progress return on public works.	169	57	Daily return of rations in hospitals .	"
21	Weekly district progress return on public works.	173	58	Weekly diary of medical officers ...	"
22	General weekly report on public works.	178	59	Weekly return of patients in relief works hospitals.	211
23	Nominal muster-roll on public works	179	60	Application for grants for famine relief expenditure.	212
24	Gang Book ...	182	61	Commissioner's register of allotments and expenditure.	213
25	Mustering karkún's daily abstract...	183	62	Monthly return of expenditure on famine relief.	214
26	Charge day-book ...	184	63	Register of indirect famine charges .	216
27	Cash-book for Public Works Officers.	185	64	Register of famine expenditure ...	217
28	Cash-book for Civil Officers	188	65	Return of expenditure on famine relief.	218
29	Statement of cash balance ...	191	66	Return of receipts on relief works in charge of Public Works Department Officers.	219
30	Attendance roll of establishment ...	192			
31	Acquittance roll ...	"	67	Return of expenditure in charge of Public Works Department Officers.	220
32	Weekly voucher for wages and cash allowances on public works.	193	68	Return of expenditure not debitable to "33—Famine relief".	221
33	Charge Officer's indent for funds (weekly).	194	69	Monthly statement of tools on works in charge of Public Works Department Officers.	222
34	Admission and attendance register for kitchens.	195			
35	Diet register ...	196	70	Register of works under Public Works Department Officers.	223
36	Stock register of articles of food, etc.	"	71	Objection Book ...	224
37	Nominal muster-roll on village works.	197	72	Stock register of furniture, tools, etc., on village works, poor-houses and State kitchens.	225
38	Daily register of work done and wages paid on village works.	198			

Programme of public works.

District _____ Population _____ Numbers to be provided for on relief works _____ Year 19 - _____

Serial Number.	Serial No. in the last programme.	Taluks.	Name of work.	Class (Imperial, Provincial or Local).	Classification.	A.—SANCTIONED PROGRAMME.			B.—EMERGENCY PROGRAMME.			Remarks.
						Estimated cost at ordinary rates		Number of units who can be employed.	Estimated cost at ordinary rates		Number of units who can be employed.	
						Of whole work.	Of portion available for relief.		Of whole work.	Of portion available for relief.		
1	2	3	4	5	6	7	8	9	10	11	12	13
						Rs.	Rs.		Rs.	Rs.		
			<i>Part I.—Large works capable of employing one or more charges for a least three months.</i>									
			<i>Part II.—Small works capable of employing less than a charge.</i>									
								(Total)			(Total)	

- Notes.—(1) This programme is to be prepared annually by the Executive Engineer in consultation with the Collector and submitted by the latter to the Superintending Engineer not later than 15th January and by the Superintending Engineer to the Commissioner not later than 1st March, and by the Commissioner to Government not later than 15th April.
- (2) In column 3 the talukas should be entered in their recognised order.
- (3) A relief charge consists of 5,000 relief workers.
- (4) In column 6 enter—(i) for works for which plans and estimates have been sanctioned and which are in progress; (ii) for works for which plans and estimates have been sanctioned but which are not yet commenced; (iii) for works for which plans and estimates have been prepared; (iv) for works for which plans and estimates have not been prepared; and also enter *a* when the work is ready to be opened at once and a good and useful work.
- b* do. do. do. but not desirable or useful except as a means of providing famine labour.
- c* do. do. do. not ready to be do. but a good useful work.
- d* do. do. do. nor desirable or useful except as a means of providing famine labour.
- (5) Under A—Sanctioned Programme, columns 7 to 9, enter all works classed as i, ii, iii in column 6. Under B—Emergency Programme, columns 10 to 12, enter all works classed as iv in column 6.
- (6) A *unit* is one person relieved for one day. Taking the probable cost of the work at famine rates to be 1½ times that estimated at ordinary rates, and assuming the cost of relief to be Rs. 20 per person relieved for six months, the figures for columns 9 and 12 can be obtained by multiplying those in columns 8 and 11, respectively, by $\frac{1\frac{1}{2} \times 180}{20} = 15$. This calculation provides for all persons directly or indirectly employed on the work. Columns 9 and 12 should be totalled.
- (7) If the total of column 9 be small in proportion to that of column 12, steps must be immediately taken to bring a large number of works under sanction, and the nature of the steps taken should be noted in the remarks column.
- (8) The fact of any work having been begun in, and suspended after, a prior famine should be noted in the remarks column.
- (9) A note as to the progress made with any work should be made in the remarks column.
- (10) The general character and utility of each work should be clearly and concisely described in the remarks column.

FORM 2.

(See section 15.)

Programme of village works.

District _____ Population _____ Numbers to be provided for on relief works _____ Year 19 .

Serial No.	Serial No. in the last printed programme.	Taluka.	Name of work.	Classification.	Estimated cost at ordinary rates.	Number of units who can be employed.	Names and residence of persons ready to manage the work.	Names and residence of persons ready to share or bear financial responsibility for the work.	Remarks.
1	2	3	4	5	6	7	8	9	10
					Rs.				
						Part I.—Government works.			
						Part II.—Private aided works.			
						Part III.—Private unaided works.			
						(Total)			

Notes.—(1) This programme is to be prepared by the Collector in consultation with the Executive Engineer and submitted to the Superintending Engineer not later than 15th January and by the Superintending Engineer to the Commissioner not later than 1st March; and to be submitted by the latter to Government not later than 15th April.

(2) A unit is one person relieved for one day. Taking the probable cost of the work at famine rates to be $1\frac{1}{2}$ times that estimated at ordinary rates, and assuming the cost of relief to be

Rs. 15 per person relieved for six months, the figures for column 7 can be obtained by multiplying those in column 6 by $\frac{1\frac{1}{2} \times 180}{15} = 15$.

(3) The talukas in column 3 should be entered in their recognised order as in Form 1.

(4) In column 5 enter A if the work has been passed and approved by the Public Works Department; and B if it has not.

(5) The figures in column 7 should be totalled.

(6) The general character and utility of each work should be clearly and concisely entered in the remarks column.

(7) The steps taken to encourage persons to permit their names to be entered in column 9 should be noted in the remarks column.

FORM 3.

(See sections 16, 17.)

Famine Statement F.

District _____

Táluka.	Population.	MAXIMUM NUMBER OF UNITS FOR WHOM RELIEF IS REQUIRED.		NUMBER OF UNITS PROVIDED FOR BY RELIEF WORKS ON THE PROGRAMME.								REMARKS. (A brief description, without details, of the general character and utility of works under each head, and of the prospects of their completion, either within or soon after a period of scarcity, should be given in this column.)	
		Actual maximum of recent famines.	Estimated maximum of future famine.	Part A—Sanctioned Programme.				Part B—Emergency Programme.					Total both Programmes.
				Sanctioned public work*.	Non-departmental works for which schemes have been prepared.	Private works for which schemes have been prepared.	Total sanctioned Programme.	Public works not yet sanctioned.	Non-Departmental works for which schemes have not yet been prepared.	Private works for which schemes have not yet been prepared.	Total Emergency Programme.		
1	2	3	4	5	6	7	8	9	10	11	12	13	14
Total ...													

Notes.—(1) The tálukas should be entered in column 1 in their recognised order as in Forms 1 and 2.

(2) Numbers should be shown in thousands. A unit means one person relieved for one day. Thus if work is provided for 50,000 people for April, May and June (91 days), provision is made for $50,000 \times 91 = 4,550,000$ units.

(3) Column 5 should give the figure for works shown in Form 1, columns 7 to 9; column 6 that for works classed as A in Form 2, Part I; column 7 that for works classed as A in Form 2, Parts II and III; column 8 that for works shown in Form 1, columns 10 to 12; column 9 that for works classed as B in Form 2, Part I; column 10 that for works classed as B in Form 2, Parts II and III.

(4) All columns should invariably be totalled.

(5) For submission to the Government of India, "District" will be substituted for "Táluka" in column 1.

FORM 4.

[See section 24 (g).]

Weekly Statement of test works and poor-houses

District.

Week ending Saturday evening, the

19

Taluka.	TEST WORKS UNDER THE PUBLIC WORKS DEPARTMENT.							POOR-HOUSE RELIEF.							Remarks.
	Number of works open.	Number of labourers on last day of period under report.				Expenditure during this period under report.	Expenditure from outset to date.	Number of poor-houses open.	Number of inmates on last day of period under report.				Expenditure during period under report.	Expenditure from outset to date.	
		Men.	Women.	Children.	Total.				Men.	Women.	Children.	Total.			
1	2	3	4	5	6	7	8	9	10	11	12	13	14	15	16
						Rs.	Ra.						Rs.	Ra.	
Total ...															

NOTE.—This statement is to be submitted weekly to Government by the Collector, only during the period of observation prior to the declaration of famine, a copy being sent at the same time to the Divisional Commissioner for information.

FORM 5.

(See sections 25, 26.)

Area and population affected and estimate of the number of persons for whom relief is likely to be required in the

District.

Total area.	Total population.	Area affected.	Population of area affected.	Maximum number of persons for whom relief on works is likely to be required		NUMBER OF UNITS PROVIDED FOR IN THE PROGRAMMES.					Maximum number of persons for whom gratuitous relief is likely to be required.		Estimated expenditure of all kinds.		Remarks.
				On any one day.	In the aggregate, i.e., total number of units.	Public works.		Village works.			On any one day.	In the aggregate, i.e., total number of units.	On or in connection with works (excluding dependants).	On or in connection with gratuitous relief (including dependants on works).	
						Sanctioned.	Not sanctioned.	Civil works.	Private works.						
1	2	3	4	5	6	7	8	9	10	11	12	13	14	15	16
													Rs.	Rs.	

NOTES.—(1) This statement is to be submitted by the Collector to the Commissioner and by the Commissioner to Government when reporting that famine is imminent.
 (2) In columns 7 and 8 the words "Sanctioned" and "Not sanctioned" have the same meaning as in Form 1.

FORM 6.

[See section 231 (a).]

Specimen of weekly Famine telegram.

October 22. Distress severe. Will probably increase when cotton picking ceases. Smaller cultivators getting to end of their resources and coming on relief. No wandering or emaciation, except among Rajputana immigrants. People on relief generally in good condition and relief measures adequate. No disinclination to resort to relief works apparent. Public health good, except for cholera epidemic, for which necessary remedial measures have been taken. Private charity active in towns, and cheap grain shops established. Liberal suspensions of land revenue granted and loans being freely advanced for purchase of fodder and deepening of wells. Trade active, traffic requirements being fully met. Prices of food-grains high but stationary. Prices: jowari 12 to 15, bajri 8 to 10 seers per rupee.

Numbers on relief: works 156, gratuitous 26, total 182. Large rise owing to completion cotton harvest.

- NOTES.— (1) The telegram should be for the week ending Saturday evening, and should reach Government not later than the following Wednesday morning
- (2) The date at the beginning of the telegram should be the last day of the week to which the telegram relates.
- (3) The price of grain should be the average of the prices at the several taluka head-quarters.
- (4) The numbers relieved should be the daily average for the seven days of the week.
- (5) The numbers relieved "in villages" should include those in village kitchens and on cash or grain dole and also village servants relieved under section 156.
- (6) Any rainfall exceeding 50 cents in 24 hours should be separately reported by telegram on the day succeeding the rainfall.

FORM 7.

[See section 231 (b).]

Weekly Statement of rainfall and prices.

Week ending Saturday _____ 19__

Taluka.	PRICES OF STAPLE GRAINS IN LBS. PER RUPEE.			RAINFALL.		
	Ordinary Prices.	During week.	During previous week.	During week.	From 1st January to the end of the week.	Average from 1st January to same date for five years.
1. Haveli ... {	Jowari 65 ...	12½	12			
	Bajri 51 ...	12	12½			
2. Kheā ...	Bajri 60 ...	14	14½			
&c.	&c.	&c.	&c.			

FORM 8.

[See sections 231 (c) and 141 (b).]

Weekly Progress Return of relief works.

For week ending Saturday evening, _____ 19

Name of { work _____
 { táluka _____
 { district _____

Number of works { public _____
 { village _____

	NUMBERS MUSTERED DURING WEEK.												EXPENDITURE DURING WEEK.									
	Public works.								Village works.				Public works.				Village works.					
	Workers				Dependants.				Men.	Women.	Children.	Total.	Wages and allowances.	Establishments.	Other charges.	Total.	Wages.	Establishments.	Other charges.	Total.		
	Men.	Women.	Children.	Total.	Men.	Women.	Children.	Total.														
Total numbers mustered during week.																						
Average daily number.																						
Number on last day of week.																						

- Notes.**—(1) This form will be prepared by the officer in charge of each relief work, whether public or village.
 (2) The return for public works will be forwarded by the Charge Officers direct to the Collector, so as to reach by Tuesday forenoon.
 (3) The return for village works will be forwarded by the managers to the Táluks Mámlatdár, so as to reach not later than Monday forenoon. The Mámlatdár will submit a consolidated return for the whole táluka to the Collector, so as to reach not later than Tuesday morning; he will also send copies to the Sub-divisional and Special Relief Officers.
 (4) The Collector will submit a consolidated statement for the district to Government, so as to reach not later than Thursday morning. The returns received from the works will also furnish the Collector with figures for the weekly season telegram (Form 6).
 (5) The total number mustered during the week should be the totals for the seven days including the rest-day.
 (6) The daily average will be obtained by dividing the total numbers mustered by the number of days (including the rest-day) during which the work was open during the week.

FORM 9.

[See sections 158 and 231 (d).]

Weekly Progress Return of gratuitous relief.

District _____

Week ending Saturday evening, _____ 19__

Táluka.	GRAIN AND CASH DOLE IN VILLAGES.							VILLAGE KITCHENS.						POOR-HOUSES AND ORPHANAGES.					EXPENDITURE OF WEEK OR						
	Number of vil- lages.	Total numbers.				Average daily number.	Num- ber on last day of week.	Number of villages.	Total numbers.				Average daily number.	Num- ber on last day of week.	Number of poor- houses and orphan- ages.	Total numbers.				Average daily number.	Number on last day of week.	Grain and cash dole.	Village Kitchens.	Poor- houses and orphan ages.	Total.
		Men.	Women.	Children.	Total.				Men.	Women.	Children.	Total.				Men.	Women.	Children.	Total.						
1	2	3	4	5	6	7	8	9	10	11	12	13	14	15	16	17	18	19	20	21	22	23	24	25	26
																						Rs.	Rs.	Rs.	Rs.
Total ...																									

- Notes—(1) This statement will be prepared for each táluka by the Táluka Mámálatdár, as the Special Relief Officer's and Relief Mámálatdár's movements are uncertain. The Mámálatdár should arrange to get the necessary figures from village officers and superintendents of kitchens and poor-houses on Sunday morning and forward a consolidated return for the táluka to the Collector, so as to reach not later than Monday. The Collector will send a tálukawar statement for the district to Government, so as to reach not later than Thursday morning. The statement received from the Mámálatdár will also furnish the Collector with figures for his weekly season telegram (Form 6).
- (2) The Mámálatdár should also forward copies of his statement to the Sub-divisional and Special Relief Officers.
- (3) The figures in columns 3 to 6, 10 to 13 and 17 to 20 should be the totals of the seven days of the week.
- (4) If both kitchen relief and grain or cash dole are given in any one village, such village shall be included in the total of either column 2 or 9, but not in both.

FORM 10.

[See section 231 (e).]

**Monthly report on the general progress of relief operations
in famine districts.**

The Collector of each district should submit to Government through the Commissioner, early in each month, a general report on relief operations during the previous month. When relief is being given on a large scale, fortnightly reports will generally be necessary. The points to be referred to should ordinarily include the following :—

- (a) the condition of the people in the different parts of the district, whether on the works or in villages ;
- (b) the increase or decrease of the rate of mortality compared with the normal rate ;
- (c) the character of public works open, and the numbers on them ; the degree of efficiency with which tasks are exacted ; the percentage of the full wage earned by the workers ; the tasking of weakly gangs ; defects (if any) in management ;
- (d) village works, their nature and management ; any preference shown for village work over public works or *vice versa* ;
- (e) arrangements for village gratuitous relief ; method of relief, whether in kitchens or by cash or grain dole ; numbers on lists and explanation of any large increase or decrease ; any special relief given to weavers or other artisans ;
- (f) increase or decrease of crime ;
- (g) immigration from Native States or other districts ;
- (h) numbers in, and management of, poor-houses ;
- (i) private charity and charitable funds ;
- (j) condition of cattle ; efficacy of measures taken for supply of fodder ;
- (k) general remarks on the working and sufficiency of relief organization ;
- (l) land revenue collections.

FORM 11.

[See sections 231 (f) and (h) and Appendix II.]

Monthly Famine Statement A.

Four weeks ending Saturday evening the _____ 19 .
Five

District.	Area.	Population in thousands.	Affected area.	Estimated population in thousands of column 4.	NUMBER OF WORKERS ON RELIEF WORKS ON LAST DAY OF MONTH.				NUMBER OF PERSONS ON GRATUITOUS RELIEF AND SPECIAL RELIEF.		GRAND TOTAL OF NUMBER OF PERSONS ON RELIEF.				Price of one or more principal food-grains in seers per rupee.	TOTAL FAMINE RELIEF EXPENDITURE FROM COMMENCEMENT OF RELIEF OPERATIONS. (In thousands of rupees.)				LOANS AND ADVANCES MADE IN CONNECTION WITH THE RELIEF OF DISTRESS. (In thousands of rupees.)			Revenue expended or remitted. (In thousands of rupees.)	
					Men.	Women.	Children.	Total workers.	Dependants of relief workers relieved on work.	Relieved in villages, kitchens, poor-houses, etc.	Men.	Women.	Children.	Total.		Date up to which account is made up.	On relief works.	On gratuitous relief.	Other famine expenditure.	Land Improvement Loans Act.	Agriculturists' Loans Act.	Other advances.		
																								0
1	2	3	4	5	6	7	8	9	10	11	12	13	14	15	16	17	18	19	20	21	22	23	24	
																	Rs.	Rs.	Rs.	Rs.	Rs.	Rs.	Rs.	Rs.
Total ...																								

- Notes.—(1) A statement in this form is to be submitted to Government by the Collector of each famine district not later than the 15th of the month following that to which the information relates.
 (2) A statement for the whole Presidency is to be submitted by the Local Government to the Government of India before the end of the month following that to which the information relates.
 (3) The statement will relate to the period between the last Saturday of the previous month and the last Saturday of the month under report.
 (4) The district figures in columns 2 and 3 should correspond with columns 3 and 4 of Form 14 and those in columns 6 and 8 with the totals of columns 5 to 8 of Form 14.
 (5) Special relief to weavers and artisans should be included in column 11.
 (6) Columns 12 should agree with the sum of columns 9 to 11 as well as with the total of columns 12 to 14.
 (7) Columns 18 to 20 should show the total expenditure classed under the head of famine relief according to the registers maintained by the District Officer, except advance for aided works which should come into column 22.
 (8) The submission of the report should not be delayed in order that accounts of expenditure may be made up to date of report.
 (9) The numbers of persons on relief should be shown in thousand.

FORM 12.

(See section 231 and Appendix II.)

Monthly Famine Report.

*Schedule of information to be given in the memorandum to accompany
Famine Statements A and C.*

The memorandum should give the fullest information available as to (1) private relief, (2) village and poor-house relief, (3) general character of relief works, (4) special relief to artisans, weavers, etc., where it is important, (5) steps taken to supplement insufficient programmes of relief works, (6) physical condition of the people, (7) food stocks, (8) importation of grain, (9) general condition and prospects of affected area, (10) changes in rates of wages, (11) extent to which selection in admission to relief works is being carried out, (12) increase or decrease authorized by the Local Government in the standard wage, (13) cattle mortality due to scarcity of fodder and water, (14) emigration or immigration, and (15) any other matters of importance which will not delay the despatch of the statement beyond the end of the following month. Under "physical condition of the people" as clear an explanation as possible should be given of any increase over the normal death-rate of the month, as shown in Form 13, or of the month previous and the result of investigations of "starvation" deaths should be stated (see instructions to Form 13).

FORM 13.

[See section 231 (i) and 206 (k) and Appendix II.]

Monthly Famine Statement C of Death-rate.

Month of _____ 19 .

District.	Population of District.	Normal mortality of the month, i. e., number of deaths calculated on the mean death-rate for the month, exclusive of plague.	ACTUAL NUMBER OF DEATHS DURING THE MONTH FROM					DEATH-RATE PER 1,000 OF POPULATION.		REMARKS.
			All causes (including deaths entered in columns 5 to 8).	Plague.	Cholera.	Other epidemic disease causing serious mortality.	Starvation.	Monthly normal exclusive of plague.	Actual death-rate during the month from all causes, exclusive of plague.	
1	2	3	4	5	6	7	8	9	10	11
Total ...										

INSTRUCTION I.—This statement should be prepared for the calendar month. The average or mean death-rate for the month (column 9) should be calculated on the mortality returns of the previous 10 years (excluding famine years) wherever this is possible. A brief explanation should be given in the Remarks column of any great excess of the death-rate over the average, or of deaths from starvation.

II.—The following only should be classed as "starvation" deaths in column 8 :—

- (1) Deaths of destitute wanderers and unknown people who are found dead on the roads or in the open country, and whose bodies show signs of want and emaciation, and not signs of any particular disease.
- (2) Deaths in hospitals and poor-houses certified by the local medical officer or subordinate to be due to pure starvation.
- (3) Deaths in towns and villages, other than the above, which are returned by the reporting agent as apparently due to starvation, and not to other cause. Reporting agents should be told, as a rough guide, that starvation may be assumed to be the cause of death, if no other cause be traced, when there is evidence that the deceased had not had food for 48 hours before death.

The district authorities should cause all deaths under (1), (2) and (3) to be further investigated before the end of the next ensuing month, and should report the results in the page of the monthly report devoted to "Remarks" in the following month.

[See section 291 (j) and Appendix II.]

Statement D.

SUMMARY OF FAMINE STATISTICS.

Province.	District.	Total area in square miles.	Total population.	FAMINE TRACT.		SCARCITY TRACT IN WHICH RELIEF IS BEING GIVEN.		SCARCITY TRACT IN WHICH RELIEF MAY BE NEEDED.		ESTIMATED EXPENDITURE OF DISTRICT RELIEF.		ESTIMATED EXPENDITURE ON LOANS AND ADVANCES.		Probable suspension and resumption of land revenue.	NUMBERS OF UNITS FOR WHOM RELIEF CAN BE PROVIDED BY WORKS REMAINING OF THE PROGRAMME OF DATE OF REPORT. (In thousands.)					REMARKS.	
				Area in square miles.	Estimated population.	Area in square miles.	Estimated population.	Area in square miles.	Estimated population.	In current financial year.	In next financial year.	In current financial year.	In next financial year.		On public works.	On non-departmental works.	On private works.	Total.			
																		Part A sanctioned programme.	Part B emergency programme.		
1	2	3	4	5	6	7	8	9	10	11	12	13	14	15	16	17	18	19	20	21	
										Rs.	Rs.	Rs.	Rs.	Rs.							
Total ...																					

NOTE.—(1) The estimated population should be obtained from the data given for the last Census.

(2) A Unit means one person relieved for one day.

(3) Some relief works will have been more or less exhausted since the last programme was published and others will have been provided for entry in the programme next to be published. The net result should be shown in columns 16 to 20. The total of columns 19 and 20 should equal the total of columns 16 to 18.

(4) This statement should be submitted by the Collector with his first monthly report (Statements A and C). A revised statement in this form should be submitted when any marked alteration occurs in the situation or when the estimates require to be reconsidered in the light of fuller information.

(5) A statement for the whole Presidency to be submitted by the Local Government to the Government of India with the first monthly report and also when subsequently revised.

FORM 15.

(See section 231 (k) and Appendix 11.)

Statement E.

Famine Statement for the week ending Saturday evening, the _____ 19 .

No.	Name of District or State.	AREA UNDER FAMINE RELIEF.						TRACTS UNDER OBSERVATION AND TEST.		
		Area affected in square miles.	Estimated population of area in column 3.	Number of persons employed on relief works.	NUMBER OF PERSONS ON GRATUITOUS AND SPECIAL RELIEF.			Grand total on relief.	Number of persons on relief works.	Number of persons in receipt of gratuitous relief.
					Dependants of relief workers relieved on works.	Relieved in villages, kitchens, poor-houses, etc.	Total.			
1	2	3	4	5	6	7	8	9	10	11
	British Provinces ...									
	Total, British Provinces ...									
	Native States ...									
	Total, Native States ...									
	GRAND TOTAL ...									

NOTE.—(1) This statement should be submitted by the Local Government to the Government of India so as to reach them not later than the Tuesday following the despatch of the weekly telegraphic report.

(2) For districts in which no regular relief is being given columns 3 to 9 should be left blank.

(3) Special relief to artisans and weavers should be included in column 7.

(4) In a footnote it should be stated whether the figures represent the daily average for the week, or the numbers of the last day of the week under report.

(5) Where figures are wanting or are incomplete, the fact should be stated in a footnote.

(6) No district or State should be removed from column 2 till all forms of Government relief have been finally closed in it.

FORM 16.

(See section 47.)

Inspecting Officer's report on public works.

Instructions.

This form of Inspection Report is intended to have two uses. It is intended for the use of every officer who is engaged on public works, as a guide to the principal points of management, organization and accounts, which require his attention and active assistance. It is intended as a form for the submission of formal inspection reports, to be made from time to time on each relief charge in the manner laid down below. It is not intended for use as a mere vehicle of criticism.

2. Whenever an officer submits a report in this form, he must devote at least one whole day to a "charge"; he must see that his facts are correct, that his counting is complete to the extent attempted (either by sampling gangs or by a full count); and he must record in each case the steps taken by him to remedy any defects reported. If there are serious defects, he must stay on the charge two or three days if possible, and get them righted, so far as practicable, at the time. *Special attention should be paid to checking the accounts.*

3. Each relief charge should be formally reported on in this manner about once in three weeks. Full or sample counts of the workers and dependants should be taken on other occasions whenever practicable, but they need not be specially reported.

4. A sample count is made by counting the total number of gangs on a work and then making a thorough examination of one in every five gangs, comparing the entries in the muster-roll with those in the mustering kárkun's daily abstract, calling the roll on the spot, and checking the classification of workers. The total number of men, women and children on the whole work should then be roughly estimated by multiplying the mean numbers in the counted gangs by the number of gangs.

5. A full count is directed to checking the gross number of gangs, men, women and children, by actual counting of the numbers (without reference to names or classification except as 'men,' 'women,' and 'children') on a whole work. It will scarcely be possible for an officer making a full count to fill in the remainder of the report and it is not expected. When a full count is taken it should be made without any warning. A whole party (*i. e.*, all the gangs under one mustering kárkun) should be stopped, the workers given ten minutes to seat themselves, and then counted up by heads and entered in a note-book ruled in lines for gangs, men, women, and children. While the count of a party is in progress, the workers must remain seated; as soon as it is over a second signal should be given to resume work. It is impracticable to check the correct classification in the muster-rolls at the same time: this is better done during the sample counts which are made by means of the muster-rolls. Two officers working together from opposite ends of a work make a more satisfactory count than is possible by a single officer. In a tank work the whole of the people on it should be seated simultaneously.

6. For the purpose of checking work, numbers and payments, the inspecting officer should proceed as follows—

- (i) obtain from the Charge Officer, *before the detailed inspection begins*, precise information in regard to (a) the total number of gangs of all kinds on or attached to the charge, including gangs employed on conservancy, water-supply and other services connected with the charge, and (b) the place or places where each is at work; this information can then be checked by the register of muster-rolls issued, but it is important that it should first be obtained from the Charge Officer himself in case any of the gangs may subsequently be found short;
- (ii) ascertain from the last weekly charge progress return the incidence of expenditure on wages for the able-bodied gangs directly employed in executing the work in hand (a) for work done and (b) per unit relieved. These figures will be useful

in checking the output of individual gangs and will also indicate the general character of the work ; an extraordinarily low or high incidence will attract suspicion ;

- (iii) count the number of gangs, and on the way select gangs for detailed comparison with the muster-roll entries of the numbers present, the work done and the payments made ; and verify the entries of payments by inquiries from the gang, and the entries of work done by actual check-measurements ;

NOTE.—It is essential that this should be done on the spot ; and inquiries should not be confined to one day's entries only.

- (iv) see that the numbers engaged on miscellaneous duties are not excessive ;
- (v) compare the muster-rolls with the mustering kárkun's daily abstracts, specially noticing—
 - (a) the difference (if any) between the sums drawn by the mustering kárkun and the sums paid to the gang, and the explanation given for the difference at the time, which should be noted for comparison later with the entries in the cash-book ;
 - (b) the price-basis adopted, and the calculation of the wages ;
 - (c) the numbers shown as present on the two or three days before inspection ;

NOTE.—The workers should be examined closely as to the names and particulars of any persons previously shown as present, but absent on the day of inspection.

- (vi) examine the constitution and tasking of the gangs and see whether the tasks have been correctly calculated on the basis of the classification of workers ; note whether the tasks are plainly indicated in advance and whether the workers clearly understand what they have to do ;
- (vii) see whether the check-measurements have been properly made, and whether they indicate laxity in the daily measurements, or abuse where a margin is allowed ;
- (viii) take the mustering kárkuns of the selected gangs with their daily abstracts to the head-quarters of the charge, check the totalling of both payments and measurements in some of the abstracts, and compare the totals of the abstracts with the corresponding entries in the charge day-book ;
- (ix) similarly in the case of gangs other than those selected, compare the totals of the daily abstracts for the two or three days preceding with the corresponding entries in the charge day-book ;
- (x) compare the totals of the charge day-book with the corresponding entries in the cash-book ;
- (xi) check the weekly voucher for wages and cash allowances by the entries in the charge day-book ;
- (xii) compare the accounts for hospitals and kitchens with the corresponding entries in the cash-book, and test the expenditure by the incidence per head relieved ;
- (xiii) examine the expenditure on contingencies, scrutinizing the vouchers ;
- (xiv) compare the charge day-book and cash-book entries with the charge progress return for the preceding week or weeks ;
- (xv) check the acquittance roll by the attendance book of the establishment, testing a few entries in the latter, and specially noting whether the establishment is excessive ;
- (xvi) examine the comparative statement of expenditure and work done, as shown in the weekly charge progress return ; compare the progressive expenditure with the estimate sanctioned for the work ; and see that the progress of work done is roughly proportionate to the expenditure incurred.

NOTE.—Detailed suggestions on this point will be found in section 136 of the Code.

7. The inspecting officer should also look carefully into all arrangements connected with kitchen, hospital, water-supply, conservancy, market, etc.

Inspecting Officer's report on public works.

(To be submitted to the Executive Engineer through the Public Works Sub-divisional Officer: the Executive Engineer will pass it on with his remarks to the Collector who will return it with his observations and orders through the Executive Engineer to the Charge Officer.)

_____ District.

Notes of an inspection made by _____

on _____ 19 _____

Work _____ Charge Officer _____

Points for report.	Report.	Remarks by Executive Engineer and Collector.
<p><i>-General-</i></p> <p>(a) Is the charge an "open" or "closed" charge?</p> <p>(b) What is the nature of work?</p> <p>(c) Give the reported numbers of the workers and dependants on date of inspection and each of the three previous days.</p> <p>(d) If the differences are noticeable, enter the Charge Officer's explanation.</p> <p>(e) Are the numbers on other works lately visited rising, falling or steady?</p>		
<p><i>-Future work-</i></p> <p>(a) How long is the work likely to last?</p> <p>(b) Where can the workers next be sent?</p>		
<p><i>I.-Admission-</i></p> <p>(a) Are the arrangements good?</p> <p>(b) Are the new-comers separately ganged and leniently tasked?</p> <p>(c) Is their task too heavy or too light?</p> <p>(d) Is it gradually raised?</p> <p>(e) Do the people leave this or any other work in the vicinity in order to be re-admitted as new-comers?</p> <p>(f) Are weakly persons put in separate gangs and tasked individually?</p>		

- (g) Are they being encouraged to earn full wages by the adjustment of the task to their strength?
- (h) What proportion do they bear to the whole number of workers?
- (i) Are immigrants from other districts and aboriginal tribes separately ganged?
- (j) Is the classification of the workers correct?

IV.—Water-supply and Conservancy—

- (a) Are the various orders and instructions laid down in sections 90 and 91 and in Appendix IV under these heads being attended to? If not, record the defects and the steps taken to remedy them.
- (b) Is a sufficient number of graves in readiness?

V.—Shelter—

- (a) Are the hutting arrangements satisfactory?
- (b) Are the people being encouraged to find their own shelters?
- (c) What proportion of the workers and dependants reside on the work?

VI.—Market—

- (a) Are the market arrangements satisfactory and are the orders being attended to?
- (b) Is unwholesome food excluded?
- (c) Give the prices of the principal food-grains.

VII.—Kitchens—

- (a) Describe the tests made to ascertain—
 - (i) that only dependants of the workers are admitted;
 - (ii) that the food is being properly distributed;
 - (iii) that the consumption is being correctly recorded; and
 - (iv) that the expenditure is in correspondence with the attendance register.

- (b) Are the attendance and diet registers being properly kept?
- (c) Do the attendants know their duties?
- (d) Is the establishment excessive?
- (e) Is each kitchen inmate provided with a ticket showing his or her ration?
- (f) Are the inmates correctly classified?
- (g) Are there any adults and children between 10 and 14 fit for light work in the kitchen?
- (h) Are the orders in section 122 of the Code being strictly carried out?
- (i) Are the accounts clearly kept?
- (j) Is the food properly cooked?
- (k) Refer to section 154 of the Code and report on any irregularities discovered and the steps taken to put a stop to them.

VIII.—Hospitals—

- (a) Is there a hospital on the charge?
- (b) If not, where are the sick sent?
- (c) What is the number of in-patients?
- (d) Are they being properly looked after?
- (e) Is there separate accommodation for small-pox and cholera patients?
- (f) Does the medical officer attend to the various duties described in sections 218 to 220 of the Code? If not, specify those he neglects and record his explanation here.
- (g) Is the establishment excessive?
- (h) Check the diet register with the register of in-patients and make other checks as in the case of kitchens.

IX.—Complaints—

State result of inquiries into any complaints received.

X.—Difficulties—

- (a) Are there any difficulties peculiar to this charge and which affect its management?
- (b) How can they be overcome?

XI.—Complete count—

State result of this and explain discrepancies as far as possible.

XII.—Daily routine—

- (a) Are the various orders in connection with mustering being carried out?
- (b) Are the wages paid with regularity and at what times?
- (c) Describe the system of payment.
- (d) Are the abstracts being properly filled in daily?

XIII.—Establishment—

- (a) Is the measuring staff of proper strength?
- (b) Are the mustering kárkuns well instructed in their duties? and is there a sufficiency of them?
- (c) Is the staff provided with accommodation? and do they all live on the work?
- (d) Report names of men who seem to be—
 - (i) specially good,
 - (ii) incompetent, lazy or untrustworthy.

XIV.—The work—

- (a) Are the gangs well proportioned?
- (b) Does each gang know in advance what work it has to do?
- (c) Check the tasks set for a percentage of the gangs with reference to the classification of the workers.
- (d) Are the measurements up to date and are they clearly recorded?
- (e) What proportion of the gangs earns full wages?
- (f) If the proportion is low, state probable reasons for this.
- (g) What percentage of the full wage do the average earnings represent?
- (h) Give separately the figures for able-bodied and weakly gangs.
- (i) Pay particular attention to remarkable differences in gang earnings.

-Checking numbers-

- (a) Check at random some muster-rolls on the work itself and note the results.
- (b) If a complete count of the numbers has not been made, count the gangs and estimate the total numbers from those in the gangs actually checked and counted. State the results.

-Checking accounts-

Refer to the instructions which preface this report and proceed to make the checks therein indicated, noting in detail the result of each separate check.

I.—Funds and coin—

- (a) Is the balance with the Charge Officer (i) excessive or (ii) insufficient?
- (b) Are the arrangements for the (i) transport and (ii) custody of the coin good?
- (c) Is there a sufficiency of small coin on the work?

II.—Stores, tools and plant—

- (a) Are the registers kept so that each transaction is clearly traceable?
- (b) Is the stock of tools (i) excessive or (ii) likely to be insufficient? If either, enumerate the articles (a) to spare and (s) required.
- (c) Are the tools suitable and in good order and are worn out tools promptly replaced and repaired?

—General—

- (a) Report on the conduct and methods of the Charge Officer.
- (b) Is he being burdened with unnecessary work, either as regards (i) correspondence or (ii) accounts?
- (c) Specify what steps have been taken to remedy any prominent defects your inspection has brought to notice.

NOTE.—For use this form should be printed with sufficient spaces under each major head for the inspecting officer's remarks: the actions need not be printed with the form.

FORM 17.

(See section 68.)

Admission Ticket to Works.

No. of Ticket.

Date

To

Admit the following :—

No.	Name and Village.	Age.	Sex.	Caste and Occupation.	Road Bhatta paid.	Cart-hire paid.	Remarks.
					Rs. a. p.	Rs. a. p.	

Signature and designation of person granting the order.

Notes.—(1) The Circle Inspectors and other village inspecting officers, village officers and relief sub-committees should be provided with books of these forms. A counterfoil should be kept of each set of orders.

(2) On receipt by the officer in charge of the work the ticket should be cancelled, signed and returned to the drafting officer, who, on noting the due arrival on the counterfoil, should send the ticket in as a voucher. In cases in which persons who have been given a ticket and bhatta do not go to the relief work and the ticket is not consequently delivered, the drafting officer may note the fact on the counterfoil and send a duplicate of the ticket under his own signature as a voucher. The directions should be printed on the first page of each ticket book.

FORM 18.

[See section 68 (c).]

Register of persons refused Admission order.

Village _____ Taluka _____ District _____

Serial Number.	Name.	Date.	Reason for refusing admission order.	Signature of authority refusing.
1	2	3	4	5

NOTE.—(1) This register should be kept by the pátíl of each village.

(2) Specific reasons for refusing admission order should be entered in column 4, and the signature of the authority doing so should be taken opposite to it in column 5.

FORM 19.

(See section 93.)

Daily post-card on public works.

Work _____	Date _____
No. of workers _____	Dependants _____
Expenditure of day. Rs. _____	
Date up to which wages have been paid _____	
Epidemics _____	

No. of deaths on work _____	
Signature of Charge Officer.	

NOTE.—This form should be printed on blank post-cards.

FORM 20.

(See sections 93.)

Weekly Charge Progress Return on public works.

For the week ending Saturday, the _____ 19 .

Name of work _____

Date on which opened _____

Submitted to the ^{Executive Engineer}
Sub-divisional Officer on (date) _____ by __________
Signature of Charge Officer.*Instructions.*

In each relief charge the Charge Officer will fill up this return every Sunday for the preceding week, and despatch it at once to the Public Works Sub-divisional Officer by special messenger or the post, whichever is quicker. Another copy should go to the Executive Engineer.

The Executive Engineer and Sub-divisional Officer will intimate to the Charge Officer, from time to time, for inclusion in this return any famine payments they have made on behalf of the particular work.

The following instructions should be followed in filling in the several columns:—

Columns 3 and 4 should include all relief workers directly employed on the work in hand, but *not* the establishment. Gangers should be counted as relief workers. *Weakly persons individually tasked should be shown under weakly gangs in column 4.*

Column 5 should include all relief workers employed in miscellaneous duties on the works, e. g., on conservancy, water-supply, etc., also nurses who are paid daily wages, and other attendants who are engaged by the Charge Officer and paid daily.

Personal attendants of the sick in hospital will be shown in column 9.

Column 6 should include all workers temporarily unemployed, as on a rest-day, or while on the march, or when temporarily dispersed for cholera, or when work is stopped by bad weather, etc.

Column 11 should give the total of all the sub-columns of columns 7 and 10.

Columns 13 to 16 should include each day's wages of the corresponding classes in columns 3 to 6.

Columns 17 and 18 should similarly include each day's cash allowances. The totals for the week only should be shown for allowances given in food at the kitchen and hospital.

Columns 19 to 22 should include the actual *payments* made under those heads on each day. To prevent unnecessary references in the case of any specially heavy payments being shown in these columns, the Charge Officer should give an explanatory note at the foot of the page.

Establishment should include all establishment attached to a particular work—

(a) in permanent Government employ, but deputed from another department; or

(b) temporarily engaged.

Tools and plant should include the wages of blacksmiths and carpenters employed on keeping tools in repair, the cost of carriage and any expenditure on local purchase of tools or of materials for making or repairing them.

Shelter should include expenditure on accommodation for establishment, as well as on butting for the persons on relief works, and on the construction of kitchens and hospitals.

Other items should include local purchase of materials, such as blasting powder (if authorized), together with the cost of carriage, string for marking out, occasional cart-hire, etc.

Charge Progress Return for the week ending Saturday, the _____ 19 .

District _____ Relief Charge No. _____ under _____ Charge Officer.

Name of work _____ Price-basis, _____ lbs. per rupee.

I--Numbers on works.

1	2	3			4			5			6			7			8			9			10			11		
		WORKERS.												GRATUITOUSLY RELIEVED.														
		Directly employed in executing the work in hand.						Employed on services connected with the charge.			Temporarily unemployed (rest-days, marching, &c.).			Total.			By allowance of cash or food as dependants.			Hospital patients and their personal attendants by allowances of cash or food.			Total.					
		Able-bodied gangs.			Weekly gangs and individuals.																							
Day of month.	Day of week.	Men.	Women.	Children.	Men.	Women.	Children.	Men.	Women.	Children.	Men.	Women.	Children.	Men.	Women.	Children.	Men.	Women.	Children.	Men.	Women.	Children.	Men.	Women.	Children.			
		Sunday	...																									
Monday	...																											
Tuesday	...																											
Wednesday	...																											
Thursday	...																											
Friday	...																											
Saturday	...																											
Totals of the week		...																										

Grand total of all persons relieved (men, women and children together).

170

<i>Establishment.</i>	No.	<i>Establishment.</i>	No.	<i>Tools in hand (both in use and spare).</i>	Serviceable.	Repairable.	Useless.
Charge Officer _____		Clerks and sub-cashiers _____					
Permanent Sub-overseers _____		Mustering karkuus _____		Picks			
Temporary Sub-overseers _____		Peons _____		Panors			
Medical subordinates _____		Hospital establishment _____		Hammers			
Work agents _____		Kitchen establishment _____		Minig bars, etc.			

II.—Expenditure.

Estimate sanctioned for the work, Rs. _____.

Total expenditure up to date, Rs. _____.

Date.	13			14						15			16			17			18			19			20			21			22			23		
	WAGES OF WORKERS.												GRATUITOUS RELIEF IN FOOD OR CASH ALLOWANCES.						MISCELLANEOUS.																	
	<i>Directly employed in executing the work in hand</i>												Employed on ser- vices connected with the charge.	Temporarily men- employed.	Dependants.	Inmates of hos- pitals and their personal attend- ants.	Works establishment.	Tools and plant.			Shelter.			Other items.			Total expenditure.									
	Able-bodied gangs.						Wenky gangs and individuals.											Tools and plant.			Shelter.			Other items.												
	Men.		Women.		Children.		Men.		Women.		Children.							Tools and plant.			Shelter.			Other items.												
Rs.	a.	p.	Rs.	a.	p.	Rs.	a.	p.	Rs.	a.	p.	Rs.	a.	p.	Rs.	a.	p.	Rs.	a.	p.	Rs.	a.	p.	Rs.	a.	p.	Rs.	a.	p.	Rs.	a.	p.				
Totals of week ...																																				
*Expenditure otherwise than on the charge ...																																				

Total number of gangers _____.

Total number of gangs _____.

Incidence of weekly expenditure per unit relieved (weekly total of column 23 divided by total of column 11).

Signature of Charge Officer.

* Expenditure otherwise than on the charge means the expenditure (if any) incurred off the charge, but for it, and intimated by the Sub-divisional Officer or Executive Engineer. It should be entered in the return next following the receipt of the information.

III.—General Notes.

IMMIGRANTS FROM NATIVE STATES.		NUMBER OF UNITS FED DURING THE WEEK.			DEATHS IN HOSPITAL AND ON THE WORKS.	
Native State from which immigrated.	Number of immigrants.	Classes.	As dependants.	In hospitals.	Disease, or cause of death.	Num
		Men ...				
		Women ...				
		Children ...				
		Totals ..				
		GRAND TOTAL ...				
Total ...		Total cost of diet, Rs. ...				Total ...

Nature of work.	Full task for the week.—	Work done during the week.	EXPENDITURE DURING THE WEEK OF WAGES OF WORKERS DIRECTLY EMPLOYED IN EXECUTING THE WORK IN HAND.		INCIDENCE		Standard rate, normal per cent contract rat
			Able-bodied.	Able-bodied and weakly combined.	Of column (d) on column (e).	Of column (e) on column (e).	
(a)	(b)	(c)	(d)	(e)	(f)	(g)	(h)

	(i)		(j)		(k)		(l)		(m)		(n)		(o)		(p)
	Wages of workers employed in executing the work in hand.		Wages of workers employed on services connected with the charge.		Wages of workers temporarily un-employed, and allowances of dependants and inmates of hospitals with their attendants.		Cost of Establishment.		Cost of shelter.		Cost of other items.		Totals of columns (j) to (n).		Total expenditure the can
	For the week.	Up to date.	For the week.	Up to date.	For the week.	Up to date.	For the week.	Up to date.	For the week.	Up to date.	For the week.	Up to date.	For the week.	Up to date.	For the week.
Expenditure in rupees (omitting annas and pies).															
Percentage on corresponding sub-column of (i).															

[Concise report regarding any epidemic diseases; any special difficulties; any requirements of tools, plant, station or establishment; or any matters which the Charge Officer wishes to bring to the notice of the Sub-divisional Officer.]

Immigrants from Native States.

Native State from which immigrated.	Number of immigrants.
Total ...	

General Report.

Signature of Executive Engineer.

D 1721-14

FORM 21.

(See sections 45 and 93.)

**Weekly District Progress
Return on public works.**

District _____

For week ending Saturday, the _____
19 . . .Submitted by the Executive Engineer
to the _____
as No. _____, dated _____.*Instructions.*

The Executive Engineer should prepare three copies of this return each week, and despatch the first copy to the Collector so as to reach his office not later than Thursday evening. The second copy should be despatched to the Superintending Engineer as soon as possible. The third copy should be taped up with all the charge progress returns of the district and filed as record.

2. The body of the return is prepared from the *totals* of the correspondingly numbered columns of Form 20.

3. In the space left for a General Report the Executive Engineer should mention all works he has himself visited in the week, any epidemic diseases which have attacked the works, any special difficulties he finds himself confronted with, and any matters in which he seeks the assistance of the Collector or the Superintending Engineer, or which he wishes to bring to the notice of either officer.

NOTE.—For use in districts containing more than ten relief charges, it will be necessary to issue an expanded form for this return, and to give a full opening for the "Numbers on works," the "Expenditure" and the "General Notes."

II.—Expenditure.

12 Distinguishing letter and number of the charge.	13			14			15			16			17			18			19 Works establishment.	20			21			22			23 Total expenditure.	
	WAGES OF WORKERS (INCLUDING REST-DAY ALLOWANCE).												GRATUITOUS RELIEF IN FOOD AND CASH.							MISCELLANEOUS.										
	DIRECTLY EMPLOYED IN EXECUTING THE WORK IN HAND.						Employed on services in connection with the charge.	Temporarily unemployed.	Dependants.	In hospitals.	Tools and plant.	Shelter.	Other items.	#																
	Able-bodied gangs.			Weakly gangs and individuals.																										
Men.	Women.	Children.	Men.	Women.	Children.	Rs.								a.	p.	Rs.	a.	p.	Rs.	a.	p.	Rs.	a.	p.	Rs.	a.	p.	Rs.	a.	p.
Sub-divisional Office ...																														
Total (nearest rupee) ...																														
Daily average (nearest rupee).																														

B 1721-45

1	2	3	4	EXPENDITURE DURING THE WEEK ON WAGES OF WORKERS DIRECTLY EMPLOYED IN EXECUTING THE WORK IN HAND.		7	INCIDENCE--		10	11	12	13
				5 Able-bodied.	6 Able-bodied and weakly combined.		8 Of column 5 on column 4.	9 Of column 6 on column 4.				
				Rs.	Rs.	Rs.					Rs.	Rs.

FORM 22.*(See section 93.)***General Weekly Report on public works.**

District _____ Charge No. _____

Charge Officer _____

Week ending Saturday, the _____ 19 _____

Subjects for report.

- (a) The physical condition of the people on the work, and of those seeking relief; the condition of the new-comers and children being specially noted.
- (b) The condition of the weakly gangs tasked under section 102 of the Code, and the percentage they bear to the total number of workers.
- (c) The percentage of the full wage earned.
- (d) The sufficiency, or otherwise, of the stock of tools, and of the shelter provided.
- (e) The sufficiency, or otherwise, of the staff.
- (f) The sufficiency, or otherwise, of the supply of small coin.
- (g) The condition of the food-supplies and market arrangements, the prices actually current on or in the neighbourhood of the works, and the prices used as the basis for converting the wages into cash.
- (h) The condition of the water-supply.
- (i) Any other information which it is expedient to communicate to his superiors.

Date of Despatch _____

Signature of Charge Officer.

NOTES.—(1) One copy should be submitted to the Executive Engineer and one direct to the Collector. Both should be despatched not later than Sunday. The copy for the Executive Engineer may be conveniently attached to the weekly progress return (Form 20) for the week.

(2) For use this form should be printed with the "subjects for report" in narrow margin and sufficient blank space opposite each for the report.

FORM 23.

(See sections 117 and 129.)

Nominal Muster-roll on public works

* GANG No. _____ OF CHARGE No. _____
Week ending 19 _____ *District* _____

Price-basis, lbs. per rupee.	Date from which it took effect.

Name of ganger _____

Nature of work _____

Name of work agent _____

Name of mustering karkun _____

Progress of work and payments.

Date.	QUANTITY OF WORK.		Full wages for full task.	Number of tenths of full task to be paid for.	Actual pay-ments.		INITIAL OR SIGNATURE OF		Remarks.
	Full task.	Work done.			Rs.	a. p.	Mustering karkun.	Work agent.	
1									(Here enter description of short work, if any, and state what class of workers is responsible for it.)
2									
3									
&c.									

* In the case of a weekly gang the word "weekly" should be entered before the gang number.

Abstract of Payments.

Dates.	MEN.					WOMEN.		CHILDREN.		DEPENDANTS GRATUITOUSLY RELIEVED IN CASH.							Total cost.												
	A.		B.		C.		B.		C.		D.		E. Male.			F. Female.				Children.									
	No.	Cost.	No.	Cost.	No.	Cost.	No.	Cost.	No.	Cost.	No.	Cost.	No.	Cost.	No.	Cost.	No.	Cost.	No.	Cost.	No.	Cost.	No.	Cost.	No.	Cost.	Rs.	a.	p.
1																													
2																													
3																													
4																													
5																													
6																													
7																													
etc.																													
Total																													

NOTE.—(1) The first page gives the daily abstract of measurements and the last gives the daily abstract of the wages; the intermediate pages are the muster-roll.

(2) For use the muster-roll should be printed on strong country paper and finished up with a strip of cotton sheeting along the binding. It should be printed *in extenso* in both English and vernacular type. No printed entries are to be made in the first two columns of the muster-roll; those in the form are given merely as an example.

(3) Dependants, excepting children in arms of workers, will ordinarily be fed in kitchens and will therefore not appear in this muster-roll, except when no kitchen has been opened. In printing arms for use on works where kitchens have been opened, the columns for Classes E, F, G and H in the Abstract of Payments should be omitted.

(4) The muster-roll should be written up *by classes*, a fresh series of numbers being given to each class. One roll will last for a week.

(5) All entries should be made in ink. No one should be entered unless *seen* to be present. The columns should be totalled daily in ink directly the roll call is finished.

(6) The cost in the Abstract of Payments should be given in pice.

(7) Detailed instructions for keeping the muster-roll are given in paragraph 70 of Appendix IV.

FORM 24.

(See *Appendix IV, paragraph 71.*)

Gang Book.

Name of ganger _____ Date _____

Name of mustering kárkun _____ Name of work agent _____

Nature of soil _____ Lead _____

Class.	Number.	Full task.	Total work.
A			
B			
C			
D			
Total ...			

Measurement of the full task × × =

Amount of work done × × =

(Initials of mustering kárkun and work agent.)

FORM 25.

(See section 129.)

Mustering Karkun's Daily Abstract.

Charge No. _____

Daily Abstract of payment to be made to Party No. _____

Gangs Nos. to _____

District _____

Name of work _____

Price-basis, lbs. per rupee.

Distinguishing No. of Gang.	NATURE AND QUANTITY OF WORK.				WORKERS.														GRATUITOUSLY RELIEVED BY CASH ALLOWANCES.										Total No. and allowances of Dependents.		Grand Total of cash payments due.	Signature or mark of gangman.
	Earth-work		Metal breaking.		Men A.	Men B.	Men C.	Total Men.	Women B.	Women C.	Total Women.	Children D. 10 to 14 years.	Total No. and Wages of Workers.	Men E.	Women E.	Children F. 10 to 14 years.	Children G. 7 to 10 years.	Children H. under 7 not in arms.	Children I. in arms.	Total Children.	Number.	Allowances of Dependents.										
	Full task.	Work done.	Full task.	Work done.	Number.	Cost.	Number.	Cost.	Number.	Cost.	Number.	Cost.	Number.	Cost.	Number.	Cost.	Number.	Cost.	Number.	Cost.			Number.	Cost.								
	Full wages for full task.				Number.	Cost.	Number.	Cost.	Number.	Cost.	Number.	Cost.	Number.	Cost.	Number.	Cost.	Number.	Cost.	Number.	Cost.	Number.	Cost.	Number.	Cost.								
Total ...																																

Dated

19

Signature of Mustering Karkun.

NOTE.—If any of these gangs are temporarily unemployed on the march, or are employed on conservancy, water-supply or any other services in connection with the charge, and not on the execution of the work in hand, or are members of weakly gangs or are weakly persons individually tasked, the Mustering Karkun should give a separate total for (a) the temporary unemployed, (b) those employed on services connected with the charge, (c) the weakly gangs and individuals.

FORM 26.

(See section 139.)

Charge Day-book.

Charge No. _____

Day of week and date _____ 19 .

Price-basis, lbs. per rupee.

Name of Mastering Karkun.	NATURE AND QUANTITY OF WORK.				Full wages for full task.	WORKERS.											Total Number and wages of workmen.	GRATUITOUSLY RELIEVED BY CASH ALLOWANCES.								Total Number and allowances of Dependents.	Grand total of cash payments due.	Signature of Mastering Karkun.	
	Earth-work.		Metal-bruaking.			Mon A.	Mon B.	Men C.	Total Men.	Women B.	Women C.	Total Women.	Children D. 10 to 14 years.	Mon E.	Women E.	Children F. 10 to 14 years.		Children G. 7 to 10 years.	Children H. under 7 years, not in arms.	Children I. in arms.	Total Children.								
	Full task.	Work done.	Full task.	Work done.		Number.	Cost.	Number.	Cost.	Number.	Cost.	Number.	Cost.	Number.	Cost.	Number.		Cost.	Number.	Cost.	Number.	Cost.	Number.	Cost.					
	Full task.	Work done.	Full task.	Work done.		Number.	Cost.	Number.	Cost.	Number.	Cost.	Number.	Cost.	Number.	Cost.	Number.		Cost.	Number.	Cost.	Number.	Cost.	Number.	Cost.					

Dated 19 .

Signature of Charge Officer.

NOTE.—The figures for (a) those temporarily unemployed, (b) those employed on services in connection with the charge, (c) the weakly gangs and individuals separately tasked, should be shown on separate sheets.

FORM 27.

(See sections 128 and 276.)

Famine cash-book for Public Works Officers.

DISTRICT _____

NAME OF CHARGE OFFICER _____

NAME AND NUMBER OF WORK _____

*Heads under which every item is to be classified—**Major head.**Detailed head.*

III.—Public Works ...

... A.—Communications—

1. Earth-work on roads—

- | | | |
|--------|---|---|
| Works. | { | (a) Wages of workers. |
| | | (b) Work establishment. |
| | | (c) Shelter. |
| | | (d) Miscellaneous expenditure. |
| | | (e) Gratuitous relief (including rest allowance, etc.). |
| | | (f) Establishment. |
| | | (g) Tools and plant. |

2. Stone metal collection—

(a) to (g) as above.

3. Kankar collection—

(a) to (g) as above.

B.—Miscellaneous public improvements—

(a) to (g) as above.

C.—Irrigation—

1. Earth-work in canals—

(a) to (g) as above.

2. Irrigation tanks—

(a) to (g) as above.

3. Irrigation embankments—

(a) to (g) as above.

D.—Construction of railways—

Earth-work—

(a) to (g) as above.

E.—Daily total.

CHARGES.

Date.	Serial number or number of vouchers.	To whom paid and on what account.	Payments.			Daily total.			Head of account debited.	
									Major head.	Detailed head.
			Rs.	s.	p.	Rs.	s.	p.		
						
						
						

FORM 28.

(See sections 140, 150 and 255.)

Famine cash-book for Civil Officers.

DISTRICT _____
 NAME OF OFFICER _____
 HOLDING CHARGE AS _____

Heads under which every item is to be classified—

<i>Major head.</i>	<i>Detailed head.</i>
I.—Salaries and establishment ...	1. Salaries—Special Relief Officers. 2. Establishment— (a) Clerks. (b) Servants. 3. Travelling allowance. 4. Contingencies.
II.—Village works ...	1. Communications— (a) Wages of labour. (b) Other charges. 2. Miscellaneous public improvements. (a) Wages of labour. (b) Other charges. 3. Irrigation— (a) Wages of labour. (b) Other charges.
IV.—Relief to people employed otherwise than on relief works.	Payments to artizans, such as weavers.
V.—Gratuitous relief ...	1. Given in Government institutions— (a) Poor-house charges— 1. Diet. 2. Other charges. (b) State kitchens— 1. Diet. 2. Other charges. (c) Orphanages— 1. Diet. 2. Other charges. 2. Given at the houses of the people. 3. Given in other ways.
VI.—Miscellaneous ...	1. Advances for aided private works. 2. Advances to artizans. 3. Measures for protection of cattle. 4. Other expenditure.
Daily total.	

RECEIPTS.

Date.	Serial number or number of vouchers.	From whom received.	Receipts.			Daily total.			<i>Head of account credited.</i>	
			Rs.	a.	p.	Rs.	a.	p.	Major head.	Detailed head.

FORM 29.

(See section 128.)

Statement of Cash balance.

District _____ Name of work _____ Charge No. _____

Statement of actual cash balance in the hands of _____

Charge Officer on _____ and of imprests with subordinates.

Description.	No.	Amount.			Remarks.
		Rs.	a.	p.	
Cheques received in favour of self but not yet cashed				
Currency notes				
Rupees				
Half rupees				
Quarter rupees				
Two-anna pieces				
Half-anna ,,				
Quarter-anna ,,				
Pies				
Receipt stamps				
Total cash in chest				
Add amount of imprest with Rs. a. p.					
Total balance as per cash-book				

SERVANTS OF INDIA SOCIETY'S
BRANCH LIBRARY
BOMBAY

Signature of Charge Officer.

Notes.—(1) This statement is to be forwarded by the Charge Officer of every public work to the Executive Engineer on the last day of every month.

(2) When the cash balance is abnormally large, the reason should be given in the remarks column.

FORM 30.

(See section 133.)

Attendance Roll of Establishment.

No	Name of Official.	Appointment.	ATTENDANCE.																																			
			1st.	2nd.	3rd.	4th.	5th.	6th.	7th.	8th.	9th.	10th.	11th.	12th.	13th.	14th.	15th.	16th.	17th.	18th.	19th.	20th.	21st.	22nd.	23rd.	24th.	25th.	26th.	27th.	28th.	29th.	30th.	31st.					

FORM 31.

(See section 133.)

Acquittance Roll.

Month of _____ 19__

Name.	Post and salary.	Period for which payment is due.	Amount of salary or travelling allowance.	Amount of income-tax.	Net claim.	NOTE OF DEDUCTIONS OF SUBSCRIPTIONS TO SERVICE FUNDS, ETC.		Net amount paid.	Signature and stamp for each payment exceeding Rs. 20.
						Particulars.	Amount.		
1	2	3	4	5	6	7	8	9	10
		Total							

NOTE.—(1) Columns 1 to 4 of the roll shall be filled in by the Charge Officer, who shall then send it to the Executive Engineer's office, where columns 5 to 8 shall be completed. On return of the roll, the Charge Officer shall, after payment, enter the figures of column 4 on the expenditure side and those of columns 5 and 6, separately, on the receipt side of his cash-book.

(2) In column 4 salaries and travelling allowances shall not be mixed up: a separate acquittance roll should ordinarily be prepared for each, when paid separately.

(3) In column 10 against each signature the date of payment should be entered, when the payment is made and acknowledged.

I certify that the above amount of _____ (in words)
_____ has been paid by me.

Signature of disbursing,

FORM 32.

(See sections 276 (b) and 318.)

Weekly Voucher for Wages and Cash Allowances on Public Works.

District _____ Name of Work _____ Charge No. _____ Charge Officer _____

Week ending Saturday the _____ 19 _____ Price-basis, _____ lbs. per rupee.

Day of Week.	Date of month.	WORKERS.														Total No. of workers and cost.	GRATUITOUSLY RECEIVED BY CASH ALLOWANCES.														Total number and cost of Dependants.	Total wages and cash allowance for the day.																																															
		Men A.		Men B.		Men C.		Total Men.		Women B.		Women C.		Total Women.			Children D. 10 to 14 years.		Men E.		Women E.		Children F. 10 to 14 years.		Children G. 7 to 10 years.		Children H. under 7 years.		Children I. in arms.				Total Children.																																														
		No.	Cost.	No.	Cost.	No.	Cost.	No.	Cost.	No.	Cost.	No.	Cost.	No.	Cost.		No.	Cost.	No.	Cost.	No.	Cost.	No.	Cost.	No.	Cost.	No.	Cost.	No.	Cost.			No.	Cost.																																													
		Rs.	a.	p.	Rs.	a.	p.	Rs.	a.	p.	Rs.	a.	p.	Rs.	a.	p.	Rs.	a.	p.	Rs.	a.	p.	Rs.	a.	p.	Rs.	a.	p.	Rs.	a.	p.	Rs.	a.	p.	Rs.	a.	p.	Rs.	a.	p.	Rs.	a.	p.	Rs.	a.	p.	Rs.	a.	p.	Rs.	a.	p.	Rs.	a.	p.	Rs.	a.	p.	Rs.	a.	p.	Rs.	a.	p.	Rs.	a.	p.	Rs.	a.	p.	Rs.	a.	p.	Rs.	a.	p.	Rs.	a.	p.

I certify that the number of each class of persons entered herein, and their wages entered herein, agree on each day with the totals of the corresponding entries in my Charge Day-book.

Signature of Charge Officer.

FORM 33.

(See section 126.)

Charge Officers Indent for Funds (Weekly).

Charge No. _____

Dated _____ 19 .

To

THE EXECUTIVE ENGINEER,

_____ District.

Rs. a p.

Balance in hand at the date of the last indent
Cheques since received

		Total	...
Deduct expenditure incurred during the week
Balance on date of indent
Sum indented for in cheque No. _____ dated _____			...
		Total	...

Signature of Charge Officer.

FORM 34.

[See sections 123 (b), 153 (b-i) and 169.]

Admission and Attendance Register for kitchens.

Month of _____ 19 . Poor-house at _____ village _____ Taluka.

Class of recipients.	Serial Number in Class.	Date of admission.	Name of persons admitted, with father's or husband's name.	Caste and sex.	Age.	DAYS AND MEALS OF ATTENDANCE.																													
						1	2	3	4	5	6	7	8	9	10	11	12	13	14	15	16	17	18	19	20	21	22	23	24	25	26	27	28	29	30
1	2	3	4	5	6	7																													

NOTES.—(1) Every month a fresh page should be opened, the serial numbers being retained. Each class should have a separate series of numbers; and blank spaces should be left for fresh admissions, and for the totals of the class.

(2) Attendance may conveniently be recorded by signs; where two meals are given daily, the following signs may be used :—

present at morning meal / present at both meals X present at morning but absent at evening meal ⊖

present at evening meal / absent at morning but present at evening meal ⊙

absent at morning meal ○ absent at both meals ⊖

(3) The signs of attendance should invariably be written in ink.

(4) The totals for the day may be conveniently shown as $\frac{M}{N}$ where M persons were present at the morning and N persons were present at the evening meal. The number of meals for the day would then be $\frac{M+N}{2} = 22$.

(5) When a name is struck off, a line should be drawn in ink across the blank columns for "days and meals of attendance," and the date of removal should be written in full.

(6) The register should be closed and totalled in ink directly the roll-call is finished.

[See sections 132, 153 (b-ii), 169 and 220 (c).]

Diet Register.

Kitchen
 Poor-house at _____ village, _____ taluka
 Hospital _____ public work, _____

Date.	Class of dependants.	Attendance on previous day.	No. of chhataks for ration.	Total of food in lbs.	NUMBER OF SE'RS.									Signature of Superintendent.
					Flour.	Rice.	Dál.	Salt.	Condiments.	Oil.	Vegetables.	Milk.		
1	2	3	4	5	6	7	8	9	10	11	12	13	14	
		On ordinary diet.												
		On special diet.												

- NOTES.—(1) This form is to be kept at public works and village kitchens, poor-houses and public works hospitals.
 (2) Persons on special diets, e.g., milk, etc., should be entered separately by classes after the entries by classes of those on ordinary diet.
 (3) Columns 6 to 13 should be filled in only for totals under "ordinary diet" and "special diet".
 (4) All entries should be made in ink.
 (5) The headings in columns 6 to 13 may be varied according to the diet given, and extra columns may be added if necessary.

FORM 36.

[See sections 132, 153 (b-iii), 169, 170 and 220 (d).]

Stock Register of Articles of Food, etc.

Kitchen
 Poor-house at _____ village, _____ taluka
 Hospital _____ public work, _____

Date.		Flour.	Rice.	Dál.	Salt.	Condiments.	Oil.	Vegetables.	Wood.	Milk.	Remarks.
	Balance	
	Received	
	Total	
	Deduct issued	
	Balance	

- NOTES.—(1) This form is to be kept at public works and village kitchens, poor-houses and public works hospitals.
 (2) The quantity in lbs. of each article issued and received, and the balance in store at the end of the day should be entered in this register every evening. The issues and receipts will be attested by the signature of the officer in charge.
 (3) If any article is issued otherwise than to inmates, the fact should be noted in a more detailed statement of issues, which should be kept. In the detailed statement issues to hospital inmates, etc., should be shown. The totals of the day only are to be entered in this form; so also receipts.
 (4) In the column of remarks, any wastage found on using stock, which must be done weekly, should be clearly shown and explained.
 (5) All entries should be made in ink.

- FORM 37.

[See section 140 (a).]

Nominal Muster-roll on village works.

1721-50

Name of work _____
 Circle _____
 Taluka _____

Name of Manager _____
 Month of _____ 19__

Serial No. of worker.	No. of gang.	Name of worker.	Residence.	Class of worker.	Days																										Remarks				
					1st	2nd	3rd	4th	5th	6th	7th	8th	9th	10th	11th	12th	13th	14th	15th	16th	17th	18th	19th	20th	21st	22nd	23rd	24th	25th	26th		27th	28th	29th	30th
Total ...																																			

NOTE.—The muster-roll should be called once a day in the morning. It should be closed and totalled for the day directly the roll has been called. All entries should be made in ink, presence being denoted by a stroke / and absence by a circle O. A fresh muster-roll should be opened every month.

FORM 38.

198

[See section 140 (b).]

Daily Register by gangs of work done and wages paid on village works.

Name and No. of work _____
 Village _____ Circle _____
 Taluka _____ District _____

Week commencing Sunday the _____ 19 ____

Price-basis, 20 lbs. per rupee.

WORK DONE AND WAGES PAID.																		Total amount of work done in week.	Total payment for week.	REMARKS.																		
No. of gang.	Ganger's name.	Sunday.			Monday.			Tuesday.			Wednesday.			Thursday.			Friday.				Saturday.																	
		Number and class of workers and maximum daily wage of gang.	Number of squares dug and maximum rate per square.	Wages paid.	Number and class of workers and maximum daily wage of gang.	Number of squares dug and maximum rate per square.	Wages paid.	Number and class of workers and maximum daily wage of gang.	Number of squares dug and maximum rate per square.	Wages paid.	Number and class of workers and maximum daily wage of gang.	Number of squares dug and maximum rate per square.	Wages paid.	Number and class of workers and maximum daily wage of gang.	Number of squares dug and maximum rate per square.	Wages paid.	Number and class of workers and maximum daily wage of gang.	Number of squares dug and maximum rate per square.	Wages paid.	Number and class of workers and maximum daily wage of gang.	Number of squares dug and maximum rate per square.	Wages paid.																
1	Govind Tukaram	2 B.	2 1/2		2 B.	2 1/2		2 B.	2 1/2		2 B.	2 1/2		2 B.	2		2 B.	Rest day	2 B.	1 1/2																		
		2 C.			2 C.			2 C.			2 C.			2 C.			2 C.			2 C.																		
		2 D.			2 D.			2 D.			2 D.			2 D.			2 D.			2 D.																		
		Rs. a. p.	Rs. a. p.	Rs. a. p.	Rs. a. p.	Rs. a. p.	Rs. a. p.	Rs. a. p.	Rs. a. p.	Rs. a. p.	Rs. a. p.	Rs. a. p.	Rs. a. p.	Rs. a. p.	Rs. a. p.	Rs. a. p.	Rs. a. p.	Rs. a. p.	Rs. a. p.	Rs. a. p.	Rs. a. p.	Rs. a. p.	Rs. a. p.	Rs. a. p.	Rs. a. p.	Rs. a. p.	Rs. a. p.	Rs. a. p.	Rs. a. p.	Rs. a. p.	Rs. a. p.	Rs. a. p.	Rs. a. p.	Rs. a. p.	Rs. a. p.	Rs. a. p.	Rs. a. p.	
		0 20 0	0 4 0	0 10 0	0 10 0	0 4 0	0 9 0	0 10 0	0 4 0	0 9 0	0 10 0	0 4 0	0 8 0	0 10 0	0 5 0	0 10 0	0 10 0	0 7 0	0 10 0	0 5 0	0 8 9																1,535	8 15

NOTE.—The wages paid should be shown under the date on which the work was done, even though they may be paid on the following day. The totals for each day should be made up as soon as the wages for that day have been paid.

FORM 39.

[See sections 140 (c), 141 (c), 142 (b) and 318.]

Weekly Bill of expenditure on village works.

Name and No. of work _____

Village _____ Circle _____

Taluca _____ District _____

Price-basis, lbs. per rupee,
(Date of bill) .. 19 .

Date and day of week.	NUMBERS OF WORKERS MUSTERED.				Maximum wages.	Quantity of work done each day.	ACTUAL EXPENDITURE DAY BY DAY.			Incidence of expenditure.		Remarks.
	Class B.	Class C.	Class D.	Total.			Wages.	Other expenses.	Total.	On work done i.e., of col. 10 on 7.	On No. of units relieved i.e., of col. 10 on 5.	
1	2	3	4	5	6	7	8	9	10	11	12	13
Sunday, 10th April ...					Rs. a. p.	C. ft.	Rs. a. p.	Rs. a. p.	Rs. a. p.			
Monday, 11th ...												
Tuesday, 12th ...												
Wednesday, 13th ...												
Thursday, 14th ...												
Friday, 15th ...												
Saturday, 16th ...												
Total ...												

Signature of Manager.

We certify that to the best of our belief
the above bill is correct.Signature of two members } _____
of the village committee. } _____

Passed for rupees (in words)

Signature of Sub-treasury Officer.

NOTE.—(1) This bill should be written up day by day as soon as the columns in the daily register have been totalled up. It should be completed on Sunday and the amount of the bill drawn from the sub-treasury on Monday.

(2) A copy of this bill should be sent to the Sub-divisional or Special Relief Officer (*vide* section 141), the certificate being omitted and information being given regarding any epidemic disease, the number of immigrants from Native States and any special difficulties experienced in carrying out the work.

FORM 40.

[See section 141 (a).]

Daily post-card on village works.

Work _____	Date _____
No. of workers _____	B. _____ C. _____ D. _____
Amount of work done _____	

Wages paid. Rs. _____	
Balance of advance in hand. Rs. _____	
Signature of Manager.	

NOTE.—This form should be printed on blank post-cards.

FORM 41.

[See sections 147, 149 (c) and 153 (d).]

Village Gratuitous Relief Register.

Village _____ Taluka _____ Population of village (by census) _____

Serial No.	Letter denoting class of recipient.	Name, and father's or husband's name.	Age.	Name of relations (if any) living.	Caste.	Date of admission to list.	Signature of officer admitting.	Date of removal from list.	Signature of officer removing.	Remarks and orders by inspecting officers.

FORM 42.

[See sections 149 (c), 150 (b) and 153 (d).]

Village Grain Dole Distribution List.
Cash

Village _____ Taluka _____ Month _____ 19 ____

Letter denoting class of recipient.	Serial No. in class.	Name, and father's or husband's name.	DATES OF DISTRIBUTION AND AMOUNTS OF GRAIN OR CASH GIVEN.																														
			1	2	3	4	5	6	7	8	9	10	11	12	13	14	15	16	17	18	19	20	21	22	23	24	25	26	27	28	29	30	31
		Total ...																															

- NOTE.—(1) The recipients should be grouped by classes according to the allowances they receive, a separate series of numbers being allotted to each class and in the case of class E to males and females also.
 (2) Where distribution is not made daily, the entries should be made only on the actual dates of distribution for the actual amounts given.
 (3) The columns should be totalled daily. All entries should be made in ink.

B 1721-51

FORM 43.

[See sections 149 (a), 150 (b) and 159 (a).]

Village Relief Ticket.

202

Village _____ Name of recipient _____ Class _____ Serial number in Village Gratuitous Relief Register _____

(Signature of person granting ticket.)

Month.	DATES OF DISTRIBUTION.																															
	1	2	3	4	5	6	7	8	9	10	11	12	13	14	15	16	17	18	19	20	21	22	23	24	25	26	27	28	29	30	31	

- NOTES.—(1) These tickets are to be issued to persons relieved in villages by cash or grain dole, not to those fed in kitchens.
 (2) The actual amount given should be entered on each date, e. g., if payment or distribution is for some reason not made on the 3rd and 4th the amount given for three days should be entered on the 5th of the month.
 (3) All entries should be made in ink.

FORM 44.

[See sections 143 (f) and 318.]

Detailed Bill for gratuitous village relief in grain.

Date of last bill drawn _____ Grain price _____ lbs. per rupee fixed by (name of officer fixing price.)
 Date of this bill _____ Village _____ Taluka _____ on _____ 19 _____

Date and day of week.	NUMBER OF PERSONS RELIEVED AND AMOUNT OF GRAIN DISTRIBUTED EACH DAY.														Total cost for whole period of bill (in figures and words).
	Class E males, 12 chhataks.		Class E females, 10 chhataks.		Class F, 8 chhataks.		Class G, 6 chhataks.		Class H, 4 chhataks.		Class I, 3 chhataks.		Total.		
	Number of persons relieved.	Amount of grain distributed.	Number of persons relieved.	Amount of grain distributed.	Number of persons relieved.	Amount of grain distributed.	Number of persons relieved.	Amount of grain distributed.	Number of persons relieved.	Amount of grain distributed.	Number of persons relieved.	Amount of grain distributed.	Number of persons relieved.	Amount of grain distributed.	
Sunday, 10th September ...															} Rs
Monday, 11th " ...															
&c.															
Total ...															

We certify that this bill is correct.

..... Signature of village patil.
 " of village accountant.
 " of one member of village committee.

I certify that I have compared the numbers charged for in this bill with the numbers entered in the Village Gratuitous Relief Register (Form 41) and the Dole Distribution List (Form 42) and find that they are correct.

Signature of grain-dealer.

Signature of Circle Inspector.

Passed for rupees (in words)

Signature of Sub-treasury Officer.

FORM 45.

[See sections 150 (d) and 318.]

Detailed Bill for gratuitous village relief in cash.

Date of last bill drawn _____

Village _____ Taluka _____

Date of this bill _____

Price-basis _____ lbs. per rupee.

Date and day of week.	NUMBER OF PERSONS RELIEVED AND AMOUNT OF CASH GIVEN EACH DAY.													
	Class E males.		Class E females.		Class F.		Class G.		Class H.		Class I.		Total.	
	Number of persons relieved.	Amount of cash given.	Number of persons relieved.	Amount of cash given.	Number of persons relieved.	Amount of cash given.	Number of persons relieved.	Amount of cash given.	Number of persons relieved.	Amount of cash given.	Number of persons relieved.	Amount of cash given.	Number of persons relieved.	Amount of cash given.
	Pice.		Pice.		Pice.		Pice.		Pice.		Pice.			Rs. & p.
Friday, 10th September ...														
Monday, 11th September, &c.														
Total ...														

I certify that I have compared the numbers charged for in this bill with the numbers entered in Village Gratuitous Relief Register (Form 41) and the Dole Distribution List (Form 42) and found that they are correct.

We certify that this bill is correct.

Signature of patil.
 " village accountant.
 " one member of the committee.

Passed for rupees (in words)

Signature of Circle Inspector.

Signature of Sub-treasury officer.

FORM 46.

[See sections 153 (b-iv & i), 169 and 318.]

Weekly bill of expenditure in village kitchens and poor-houses.

Village kitchen _____ at _____ Taluka _____ Date of last bill drawn _____
 Poor-house _____ Date of this bill _____

Date and day of week.	NUMBERS BELIEVED.				ACTUAL EXPENDITURE OF WEEK.				Remarks.
	Men.	Women.	Children.	Total.	Diet.	Establishment.	Other items.	Total.	
					Rs.	Rs.	Rs.	Rs.	
Sunday, 10th April ...									
Monday, 11th " ...									
Tuesday, 12th " ...									
Wednesday, 13th " ...									
Thursday, 14th " ...									
Friday, 15th " ...									
Saturday, 16th " ...									
Total ...									

Signature of Superintendent.

Passed for rupees (in words)

Signature of Sub-treasury Officer.

NOTES.—(1) The column for "expenditure on establishment" should be blank in form for use in poor-houses.
 (2) The actual expenditure for the week should be entered in one sum, not separately for each day.

FORM 47.

[See section 156 (i).]

Village Gratuitous Relief Ledger.

Taluka _____

Number of village.	Name of village.	Population.	NUMBERS IN RECEIPT OF GRATUITOUS RELIEF ON THE LAST DAY OF THE WEEK ENDING									
			8th August.	15th August.	22nd August.	30.						
	Total ...											

NOTES.—(1) The numbers should include all relieved in kitchens and by grain or cash dole, but not those in poor-houses.
 (2) The officer who maintains the ledger should arrange to get the figures from the sub-treasury officer who cashes the weekly bills.
 (3) When a kitchen serves several villages, the names of the villages served should be bracketed together and the kitchen total, plus any additions on account of special cash or grain dole, given opposite the bracket.
 (4) The columns should be totalled up for the whole taluka week by week.

FORM 48.

[See section 158 (ii).]

Ledger for village kitchens and poor-houses.

Village kitchen _____ at village _____ Táluka _____
 Poor-house _____

Week ending	Total numbers relieved on the last day of the week.	EXPENDITURE DURING THE WEEK ON				INCIDENCE OF EXPENDITURE.		Total number of units relieved up to date.	Total expenditure up to date.	Incidence of column 8 on column 7.	
		Diet.			Total expenditure.	Column 3 on column 2.	Column 4 on column 2.				
		Rs.	a.	p.	Rs.	a.	p.				Rs.
1	2	3			4		5	6	7	8	9

- NOTES.—(1) One page should be opened in the ledger for each kitchen or poor-house.
 (2) For the purposes of column 7 the number of units in any week will be obtained by multiplying the total of the number relieved on the last day of the week by seven.
 (3) The officer who maintains the ledger should arrange to get the figures from the sub-treasury officer who cashes the bills.

FORM 49.

[See section 156 (iii).]

Ledger of Prices charged for grain supplied for village gratuitous relief.

Táluka _____

Serial No.	Name of village kitchen or poor-house.	PRICE (IN LRS. PER RUPEE) CHARGED FOR STAPLE GRAIN IN BILLS FOR WEEK ENDING																		
		8th August.	15th August.	22nd August.	5th															

- NOTES.—(1) The officer who maintains the ledger should arrange to get the figures from the sub-treasury officer who cashes the bills.
 (2) Prices should be recorded for each village in which a grain dole is given, as well as for each village kitchen and poor-house.

FORM 50.

[See section 156 (iv).]

Village Works Ledger.

Work _____ Village _____ Name of manager _____

Week ending	Price in lbs. per rupee.	TOTAL NUMBER OF WORKERS MUSTERED.				Maximum wages of week.	Quantity of work done in week.	EXPENDITURE OF WEEK.			INCIDENCE OF EXPENDITURE		Remarks.
		Class B.	Class C.	Class D.	Total.			Wages.	Other expenditure.	Total.	On work done, i.e., of column 11 on column 8.	On number of units relieved, i.e., of column 11 on column 6.	
1	2	3	4	5	6	7	8	9	10	11	12	13	14
	lbs.					Rs.	c. ft.	Rs.	Rs.	Rs.			

NOTE.—(1) The total numbers should be the sum of workers mustered on the six working days and the rest-day.

(2) The officer who maintains the ledger should arrange to get the information from the sub-treasury officer who cashes the bills.

(3) In columns 7, 9, 10 and 11 fractions of a rupee should be omitted.

(4) One page in the ledger should be opened for each work.

FORM 51.

(See sections 156 (b) and 202.)

Register of casual relief.

Name of disbursing officer _____ Designation _____

Serial No.	Date.	Name and residence (if ascertainable) of person relieved.	Particulars of relief given.	Cost of relief given.			Disposal of person relieved.
				Rs.	a.	p.	

NOTE.—This register is to be kept by police and any other disbursing officer who gives casual relief.

FORM 52.

(See sections 156 (b) and 318.)

Bill for casual relief.

Date of last bill _____ Date of this bill _____

Date.	NUMBER OF PERSONS RELIEVED.				Expenditure.
	Men.	Women	Children.	Total.	
					Rs. a. p.

Signature of disbursing officer.

Passed for rupees (in words) _____

Signature of Sub-treasury Officer.

FORM 53.

[See sections 181 (b) and 182 (d).]

Register of orphans relieved in orphanages

Orphanage at _____ village _____ Taluka.

Serial number of child in register.	Name and designation of officer issuing admission ticket.	Date of admission to orphanage.	Age on admission.	Sex.	Caste.	Name of child.	Name of father or mother or relation hitherto supporting the child.	Village.	Date of removal from register.	Cause of removal from register.	Name and address of the institution or person to whom the child was sent.	Conditions (if any) on which the child was sent.
1	2	3	4	5	6	7	8	9	10	11	12	13

FORM 54

[See section 182 (d).]

Weekly Statement of orphans in State orphanages.

Orphanage at _____ village _____ Taluka. Week ending Saturday the _____ 19__

Religion.	AT THE BEGINNING OF THE WEEK.			ADMITTED DURING THE WEEK.			MADE OVER TO RELATIONS OR OTHER PERSONS DURING THE WEEK.			REMAINING AT THE END OF THE WEEK.			Remarks as to action taken to discover parents or relations.
	Boys.	Girls.	Total.	Boys.	Girls.	Total.	Boys.	Girls.	Total.	Boys.	Girls.	Total.	
Hindus										
Muslimans										
etc.										
Total													

Note.—This return should be forwarded from each orphanage every Saturday to the Collector through the Sub-divisional Officer.

FORM 55.

[See section 206 (i).]

Monthly statement of patients treated in hospitals attached to relief works and poor-houses.

	(NAME OF DISTRICT.)							
	ON RELIEF WORKS.					IN POOR-HOUSES.		Total deaths in relief works camps and poor-houses.
	Total number of patients treated in hospitals.		Number of deaths			Total number of patients treated.	Number of deaths.	
	In-door.	Out-door.	In camps.	In hospitals.	Total.			
Cholera ...								
Dysentery ...								
Diarrhoea ...								
Fever ...								
Small-pox ...								
Itch ...								
Ulcer ...								
Emaciation ...								
Child-birth ...								
Pregnant women ...								
Miscellaneous ...								
Total ...								

NOTE.—The statement should be made out for districts and collated both for divisions and for the whole Presidency.

FORM 56.

[See section 220 (a).]

Nominal Register of $\frac{\text{in-door}}{\text{out-door}}$ patients in hospitals.

Relief work hospital at _____ Táluka _____ District _____
 Poor-house

Date of Admission.	Serial number.	Name.	Sex.	Age.	Caste.	Residence.	Disease.	Date of discharge.	NUMBER OF PATIENTS				REMARKS
									Discharged		Dis.	Ab-sented.	
									Cured.	Reliev-ed.			

NOTE.—Separate registers should be kept for in-door and out-door patients.

FORM 57.

[See section 220 (b).]

Daily Return of rations in hospitals.

Relief work hospital at _____ Táluka _____ District _____
 Poor-house

Date.	NUMBER OF IN-DOOR PATIENTS IN THE HOSPITAL.					NUMBER OF HOSPITAL RATIONS PRESCRIBED.			EXTRAS PRESCRIBED.			Initials of the medical officer.	
	Men.	Women.	Children, 7-12.	Children, under 7.	Total.	Ordinary diet.	Milk diet.	Conjt diet.					

FORM 58.

[See section 227 (e).]

Weekly Diary of medical officers.

Relief work hospital at _____ Táluka _____ District _____
 Poor-house

Week ending Friday midnight _____ 19 _____

Date,	Notes of work and inspection done.	Remarks by the District Medical Officer.

FORM 59.

[See section 220 (f).]

Weekly return of patients in relief works hospitals.

Name of work _____ Taluka _____ District _____ Week ending Friday midnight the _____

		Cholera.	Dysentery.	Diarrhoea.	Fever.	Small-pox.	Itch.	Ulcers.	Emaciation.	Child-birth.	Pregnancy.	Miscellaneous.	Total.	Details of removals from hospital during the week.		Nov.		Deaths in Camp.		
														Discharged	Absented					
In-patients only.	Men ...	1. Remaining from last week. 2. Admitted during week ... 3. Remaining in hospital ...																		
	Women ...																			1. Remaining from last week. 2. Admitted during week ... 3. Remaining in hospital ...
	Children over 7 years.																			
	Children under 7 years.	1. Remaining from last week. 2. Admitted during week ... 3. Remaining in hospital ...																		
	Total remaining in hospital ...																			
* Out-patients treated																				
Total remained from last week																				
" admitted during week. { Under a week in camp ... Over a week in camp ...																				
" discharged do.																				
" died do. ... { Under a week in camp ... Over a week in camp ...																				
" remaining in hospital																				
														Deaths from Cholera ...						
														Do. Dysentery ...						
														Do. Diarrhoea ...						
														Do. Fever ...						
														Do. Small-pox ...						
														Do. Itch ...						
														Do. Ulcers ...						
														Do. Emaciation ...						
														Do. Child-birth ...						
														Do. Miscellaneous ...						
														Total Deaths ...						

Note below—

Still-born
Deaths among newly born ...

Date

Forwarded to

Signature of Medical Officer.

* Out-patients to be shown only in this column.

Notes.—(1) The principal causes of sickness amongst out-patients should be mentioned.

(2) The date of each case should be given either here or in the weekly diary showing the cause, the time the dead person had been in camp, the date of coming to

FORM 61.

(See section 247.)

Commissioner's register of famine relief allotments and expenditure met therefrom.

B 1721-54

Authority.	Districts.						Total	Allotment to Commissioner by Government.	Balance available of Government allotment.	REMARKS.
1	2						3	4	5	6
	Allotments for expenditure during _____									
G. B. No. dated										
Commissioner's No. , dated										
Total allotments ...										
Expenditure as per quarterly statement										
	Allotments for expenditure during _____									

FORM

(See section

Monthly return of expendi

District _____ month _____

Item of expenditure.	Expenditure sanctioned up to date for 19 -19 .	EXPENDITURE			
		Up to the end of 19 .		From April to	
	Rs.	Rs.	a. p.	Rs.	a. p.
I.—SALARIES AND ESTABLISHMENT—					
1. Salaries—Special Relief Officers ...					
2. Establishments—					
Clerks and other superior Establishment.					
Servants ...					
3. Travelling allowance ...					
4. Contingencies ...					
II.—VILLAGE WORKS—NON-DEPARTMENTAL OR CIVIL—					
(a) Communications—					
Wages of labour ...					
Other expenditure ...					
(b) Miscellaneous Public Improvements					
Wages of labour ...					
Other expenditure ...					
(c) Irrigation—					
Wages of labour ...					
Other expenditure ...					
III.—PUBLIC WORKS.					
A.—Communications—					
1. Earthwork on roads ...					
2. Stone metal collection ...					
3. Kankar collection ...					
B.—Miscellaneous public improvements—					
C.—Irrigation—					
1. Earthwork in canals ...					
2. Irrigation tanks ...					
3. Irrigation embankments ...					
D.—Construction of railways—					
1. Earthwork ...					
IV.—RELIEF TO PEOPLE EMPLOYED OTHERWISE THAN ON RELIEF WORKS.					
V.—GRATUITOUS RELIEF—					
(a) Given in Government Institutions—					
1. Poor-house charges—					
Diet ...					
Other expenditure ...					
2. State kitchens—					
Diet ...					
Other expenditure ...					
3. Orphanages—					
Diet ...					
Other expenditure ...					
(b) Given at the houses of the people ...					
(c) Given in other ways ...					
VI.—MISCELLANEOUS—					
1. Advances for aided private works ...					
2. Advances to artisans ...					
3. Measures for protection of cattle ...					
4. Other expenditure ...					
Total ...					

NOTE.—This statement should include all expenditure actually

62.

248.)

ture on famine relief.

ACTUALLY INCURRED.						Number and date of the order of Government, if the expenditure has been sanctioned by Government.	If the expenditure has not been sanctioned by Government, under what authority incurred.	REMARKS.
For 19 .		Total 19 -19 .		Grand Total.				
Rs.	a. p.	Rs.	a. p.	Rs.	a. p.			

incurred, whether with, or in anticipation of, Government sanction.

FORM 63.

(See section 249.)

Register of indirect famine charges.

Office of _____

Month.	Bill No.	Particulars.	Salaries and Establishment.	Traveling and other allowances.	Supplies and services.	Contingencies.	Total.

Gain of revenue—

Loss of revenue—

Suspensions of revenue—

Signature of Head of Office.

FORM 64.

(See section 268.)

Register of famine expenditure.

Date of payment from Treasury or Sub-Treasury.		HEADS OF EXPENDITURE.																													
		I.—SALARIES AND ESTABLISHMENT.							II.—VILLAGE WORKS—NON-DEPARTMENTAL OR CIVIL.						IV.—GRATUITOUS RELIEF.								VI.—MISCELLANEOUS.							TOTAL.	REMARKS.
		Salaries—Special Relief Officers.		Establishment.		Travelling allowance.	Contingencies.	Communications.		Miscellaneous Public Improvements.		Irrigation.		Given in Government Institutions.								Given at the houses of the people.	Given in other ways.	Advances for aided private works.	Advances to artisans.	Measures for protection of cattle.	Other expenditure.				
		Clerks and other Superior Attachments.	Servants.	Wages of labour.	Other expenditure.			Wages of labour.	Other expenditure.	Wages of labour.	Other expenditure.	Wages of labour.	Other expenditure.	Poor houses.	State kitchens.	Orphanages.	Diet.	Other expenditure.	Diet.	Other expenditure.	Diet.							Other expenditure.			
1	2	3	4	5	6	7	8	9	10	11	12	13	14	15	16	17	18	19	20	21	22	23	24	25	26	27	28				
		Rs. a. p.	Rs. a. p.	Rs. a. p.	Rs. a. p.	Rs. a. p.	Rs. a. p.	Rs. a. p.	Rs. a. p.	Rs. a. p.	Rs. a. p.	Rs. a. p.	Rs. a. p.	Rs. a. p.	Rs. a. p.	Rs. a. p.	Rs. a. p.	Rs. a. p.	Rs. a. p.	Rs. a. p.	Rs. a. p.	Rs. a. p.	Rs. a. p.	Rs. a. p.	Rs. a. p.	Rs. a. p.	Rs. a. p.	Rs. a. p.			
Total of current month...																															
Add progressive total to end of last month,																															
Progressive total to end of current month.																															

FORM 65.
(See section 268.)

Return of expenditure on famine relief—Civil

District _____

Month _____

Head of Expenditure.	Amount.		Remarks.
1	2		3
	Rs.	p.	
I.—Salaries and Establishment—			
1. Salaries—Special Relief Officers			
2. Establishments—			
Clerks and other superior establishment			
Servants			
3. Travelling allowance			
4. Contingencies			
II.—Village works—Non-departmental or Civil—			
(a) Communications—			
Wages of labour			
Other expenditure			
(b) Miscellaneous public improvements—			
Wages of labour			
Other expenditure			
(c) Irrigation—			
Wages of labour			
Other expenditure			
IV.—Relief to people employed otherwise than on relief works.			
V.—Gratuitous relief—			
(a) Given in Government institutions—			
1. Poor-house charges—			
Diet			
Other expenditure			
2. State kitchens—			
Diet			
Other expenditure			
2. Orphanages—			
Diet			
Other expenditure			
(b) Given at the houses of the people			
(c) Given in other ways			
VI.—Miscellaneous—			
1. Advances for aided private works			
2. Advances to artisans			
3. Measures for protection of cattle			
4. Other expenditure			
TOTAL			

Certified that the accounts of expenditure included in this return have been examined with reference to the returns separately received of relief afforded and work done and to the instructions contained in the Famine Code.

Certified also that the rules as to accounts and vouchers have been generally complied with and that all irregularities and defects which have or as to light have either been brought to the notice of the officers concerned or expressly condoned by me under the powers vested in me or reported for orders.

Dated _____

Tho _____

Name _____

Office _____

Certified that the amount charged in the treasury accounts for _____ on account of famine expenditure in the Civil Department is (words and figures).

Treasury Officer.

The certificate of audit by the Collector should be scored out when unaudited accounts are sent to the Accountant General (see section 268 of the Code).

FORM 66.

[See section 236 (a).]

Return of receipts on relief works in charge of Public Works Department Officers.

Public Works Division _____

Revenue District _____

Month _____

Description of item.	Amount.		Remarks.
1	2		3
	Rs.	a.	
(a) Paid into treasury—			
(b) Shewn in cash books of officers-in-charge of relief works, but not paid into treasury.			
TOTAL (words) ...			

NOTE.—The object and nature of the transactions falling under the two items (a) and (b) in column 1 of the form may be explained in notes printed on the form.

Return of expenditure on relief works in charge of Public Works Department Officers.

Public Works Division _____

Revenue District _____

Month _____

Head of expenditure.	WORKS.												Gratuitous relief (including rest allowances, etc.)	Establishment.	Tools and plant	Total.	Remarks.									
	Wages of workmen.			Work establishment.			Shelter.			Miscellaneous expenditure.																
1	2			3			4			5			6			7			8			9			10	
	Rs.	a.	p.	Rs.	a.	p.	Rs.	a.	p.	Rs.	a.	p.	Rs.	a.	p.	Rs.	a.	p.	Rs.	a.	p.	Rs.	a.	p.		
III.—PUBLIC WORKS.																										
A.—Communications—																										
1. Earthwork on roads ...																										
2. Stone metal collection ...																										
3. Kankar collection ...																										
B.—Miscellaneous public improvements—																										
C.—Irrigation—																										
1. Earthwork in canals ...																										
2. Irrigation tanks ...																										
3. Irrigation embankments ...																										
D.—Construction of railways—																										
Earthwork ...																										
Total ...																										

Total Rs. (in words) _____

CERTIFIED that the accounts of expenditure included in this return have been examined with reference to the returns separately received of relief afforded and work done and to the instructions contained in the Finance Code.

Certified also that the rules as to accounts and vouchers have been generally complied with and that all irregularities and defects which have come to light have either been brought to the notice of the officers concerned, or separately condoned by me under the powers vested in me, or reported for orders.

DATED _____
The _____

Executive Engineer.

FORM 68.

(See section 290.)

Return of expenditure from famine allotments not debitable
to "33-Famine Relief."

Public Works Division _____

Month _____

Description of Item.	Amount.		REMARKS.
	2	3	
	Rs.	a. p.	
TOTAL (words) ...			

Dated

The

Executive Engineer.

NOTE.—In the case of a payment on account of salary the gross amount will be shown in the money column and deduction will be shown in detail in the remarks column of the return.

FORM 69.

222

District _____
 Charge No. _____
 Name of charge _____
 Description of Works _____

(See section 292.)

Monthly statement of tools on works in charge of Public Works Department officers.

Details of transactions .										
Balance in hand at beginning of month										
Receipts during month										
TOTAL RECEIPTS ...										
Decrease during month.	Lost									
	Rendored unserviceable									
	Tools transferred to another charge or returned to the Sub-Divisional Office									
	TOTAL ...									
Balance in hand at end of month.	On Works									
	In store									
	TOTAL ...									

(Signature of Store-keeper.)

(Signature of Officer-in-charge.)

FORM 70.

(See section 293.)

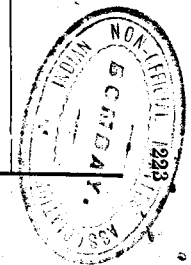
Register of works under the Public Works Department Officers.

Name of work _____

Estimate : Amount _____

Authority _____

For week ending	Works.												Gratuitous relief (including rest allowances, etc.)	Tools and plant.	Total expenditure.	Quantity of work done.	Rate.			
	Wages of workrs.			Works establish- ment.			Shelter.			Miscellaneous expenditure.										
	2	3		4		5		6		7		8						9	10	
Rs.	a.	p.	Rs.	a.	p.	Rs.	a.	p.	Rs.	a.	p.	Rs.	a.	p.	Rs.	a.	p.			
1																				



FORM 72.

(See sections 153 and 317.)

stock-register of furniture, tools, plant, etc., on village works, poor-houses and State kitchens.

Purchase.	Particulars of things purchased.	Number of things.	Cost price.			When sold by public auction.	Number of things sold.	Sale proceeds realized.			When credited to Government.	Remarks.
			Rs.	a.	p.			Rs.	a.	p.		

INDEX.

Section.	
Aboriginal tribes, Aboriginal hill and jungle tribes—	
Classification of members of—	186
Free use of Government forest produce by—	190
Ganging of—	104, 184
Grain, Sale of, at low prices to—	186 (b)
Gratuitous relief to—	183, 189
Officers for administering relief to—	183
Programmes of works for—	185 (b)
Relaxation of the rules of the Code for—	183
Special relief measures for—	185
System on works for—	187
Tasks for—	187 (b)
Village inspection for—during rains	186, 189
Wage to be paid daily to—	187 (c)
Wages and allowances of—	188
Works for—	185 (b)
Accountant General—	
Accounts, Report regarding irregularities in, to—	266, 230
Auditors to be deputed by—	264, 269
Audit parties to be organized by—	265, 279
Bills,—to be informed of delegation of officers to audit, ...	281
Bills for remittance,—to be informed of demand for, ...	311 (a)
Coins, Responsibility of—regarding, ...	311 (a), 312
Commission to bankers, Sanction of—for payment of, ...	314
Deallocation of funds, Report regarding, to—	315
Estimates of numbers of persons to—	23 (f)
Grants, Copy of orders regarding, to be forwarded to—	244, 271, 277
Grants, Transfer of, to be communicated to—	245 (d)
Heads of Civil expenditure, Additions to, by—	235
Ledgers, Copies of, to be sent to—	156
Medical officers' appointment order to—	299
Military officers, Treatment of the pay of, by—	294 note iv.
Monthly report by—to Government	248
Permanent advance, Acknowledgment for, to be sent to—by Collector	251 (a)
Permanent advance, Report to—regarding, ...	251 (b)
Permanent advances, to fix date for refund of, ...	253
Posting of medical subordinates to be notified to—	299 (a)
Register of allotments to—	247
Register of famine expenditure to be forwarded to—	268
Returns to be forwarded to—by Executive Engineer	286
Statement of cash and treasury balances to—	285
Accounts—	
Audit of—, Principles of, ...	259, 263, 269, 277
Audit parties for instruction in—	230
Cattle relief operations, Audit of—of, ...	263
Checking of—by executive officers	243—269
Civil—	294, 295
Classification of expenditure in—	269—269, 277—293
Control and audit of—	259
Control of—, Principles of, ...	297—298
Debit of expenditure in—	65 (c)
Dole—, Examination of, by Circle Inspector, ...	55 (c)
Errors in dole—, Memorandum of, ...	282
Examination of—	260, 277
Final audit of—	230
Fodder operations, Audit of—of, ...	214 (g)
Hospital—to be scrutinised by District Medical Officer	132, 276
Hospital charges,—of, ...	182 (d)
Kitchen—to be kept by mess karkdás	182 (d)

	Section.
Accounts—continued.	
Kitchen—to be scrutinised by District Medical Officer	214 (g)
Kitchen charges,—of, ...	182, 276
Military officers, Adjustment in the—of pay, &c., of, ...	294 note iv
Master-roll as the basis of—	129
Police officers,—of expenditure by	125—136
Poor house—	270—293
Public works—	274
Sub divisional Officers' famine—	298
Takávi advances, Treatment in the—of, ...	298
Test audit of—	298
Village—, Supervision of, by Special Relief Officers	60 (a)
Village works—	143
Weavers, Audit of—of special relief to, ...	196
Aquittance roll—	
Establishment on relief works, Monthly—of, ...	184
Hospital and kitchen attendants, Monthly pay of, to be drawn on establishment—	184
Admission and classification of applicants for relief—	
Rules for—	91—95
Admission Order—	
Persons empowered to grant—	68 (a)
Persons to be granted—	68 (a)
Refusal to grant—	68 (c)
Register of persons refused—	68 (c)
Wanderers, Village officers to give—to poor-houses to, ...	53 (c)
Works,—to, ...	68
Works, Village officers to give—to, ...	53 (a)
Admission to—	
Cattle camps	229
Poor-houses	162
Public works	66 (a), 94
Special relief of weavers	192
Village kitchens	153 (c)
Village works	67, 140 (a)
Advances—	
Agriculturists,—to, from charitable funds	242
Bills for—to agriculturists	256 (b)
Disbursement of takávi—, Special arrangements for, ...	238 (a)
Fodder takávi—to be paid in kind	238 (c)
Grain contractors,—to	316
Medical officers to be paid from—	316
Officers from other departments—of pay to—	258 (b)
Payments in anticipation of measurement, Giving of—for, ...	130
Payments to officers for famine relief not to be treated as—	296 (a)
Permanent—	251 (a)
Acknowledgment for—	250
Arrangements for—	251
Disbursing of—	261 (b), 254
Distribution of—	251 (c)
Establishment charges not to be paid from—	156 (b), 250 (b)
for casual relief	251 (c)
Inspecting officers to review—	254 (b)
Insufficiency of—	251 (b)
of Collector	250 (a)
Recouping of—	258
Recouping of—by village works manager	143 (b)
Refund of—	253
to Circle Inspectors	250 (b)
to kitchen superintendent	153 (b), 250 (b)
to Mámátdás	250 (b)

	Section.
Advances—continued.	
Permanent—	
to medical officers	192
to Police	202, 250
to Special Relief Officers	250 (b)
to village officers	150 (d), 250 (b)
to village works manager	142 (a), 250 (b)
Seed and cattle takávi—to be paid in cash	238 (c)
Subsistence—to cultivating classes	233 (d)
Takávi—	233
Takávi, Treatment in the accounts of,	238
Agricultural Statistics—	
Preparation of—by village and tálika officers	2
Submission of—	2
through the Collector	2
to the Director of Agriculture	2
to the Sanitary Commissioner	2
Agriculturists—	
Advances to—from charitable funds	242
Assistance to—from charitable funds	242
Takávi advances to—	238
Allowance—	
Amount of grain in dependant's—	122 (i)
Cash—, Care of non-working children when paid,	123
Children in arms,—of,	79
Dependant's—to be shown as gratuitous relief	135
Dispensing with rest-day—	85
Horse—to subordinate officers	300
Medical officer's—	299
Military officers, Debit of—of,	204 note iv
Nursing mothers,—of,	103
Persons leaving works,—of,	172
Relief works, Dependants—to persons proceeding to,	56
Rest day—	84
Suspension of work,—for days of,	82
Test works,—to dependants on,	24 (c)
Village gratuitous relief, Scale of—of recipients of,	143
Wages and—of aboriginal hill tribes	188
Weakly persons, Rest-day—of,	81
Work for dependants when cash— is paid	124
Appointment orders—	
Medical officers—	299
Officers transferred from other departments,—of,	258 (b)
Payment,—to be regarded as authority for,	253 (a)
Persons not in Government employ,—of,	238 (a)
Prompt submission of—	258 (c)
Artizans—(also see Weavers).	
Advances to—	293 (c)
Expenditure for the relief of—to be met from charitable funds	242
Relief to—	191—198
Relief to other—	193
Tools—to be supplied from charitable funds	242
Works, Employment of—on light,	197—198
Audit—	
Accounts,—of,	263, 264, 263, 277—293
Cattle and fodder accounts,—of,	280
Certificate of—	289
Control and—of accounts	259—269, 277—293
Decentralization of—	239 (c)
Establishment register for—	302 note
Famine expenditure, Principles of—of,	259
Final—	269, 277
Instruction parties for—	265
Salary and travelling allowance bills,—of,	259
Special relief to weavers,—of accounts of,	196
Test—parties	206, 279, 280
Vouchers for—	318

	Section.
Auditors—	
Appointment of—	264, 269 (e)
Duties of—	281
Objections by, Disposal of,—	263 (e)
B.	
Beggars—	
Professional—to be taken into poor-houses	162
Bills—	
Audit of—	263
Casual relief—	156 (b)
Colours of—	307 (a)
Drawing,—, Mode of,	250
Errors, Disregarding of, in—	304
Establishment—	256 (a) (ii), 257
Grain contractors'—, Payment of	316
Grain dole, Distribution of, on a system of post payment of—	149 (b)
Headings of—	307 (b)
Kitchens, Weekly—of expenditure in,	153 (b—ie & f)
Officers authorised to cash—	254 (a)
Preparation of—	507
Salaries and travelling Allowances—	264 note 1, 266 note, 289
Village works, Weekly—of expenditure on,	140 (c) & 141 (c), 142 (b & c)
Vouchers and—	256, 318
Burial-grounds—	
Arrangements for—	App. IV 29
C.	
Camps—	
Sites for—	90
Cash book—	
Cash-dole, Sums for, to be entered in—	150 (e)
Corrections in—to be initialised by Charge Officer	128
Crediting of wages due to absent workers to the—	115 (d)
Disbursing officers to keep—	255
Inspecting officers to certify amount of cash in—	127
Poor-house—	318
Public works—	128, 318
Receipts for payments of over Rs. 5 to accompany copy of—as sub-vouchers	131
Sub-divisional Officers—	274
Village kitchens—	153 (b v), 318
Village works—	140 (d), 318
Totalling and balancing of—	128
Cash order—	
Moving of funds by—	312
Casual relief—	
Bills for—	156 (b)
Permanent advance for—	156 (b), 250 (b)
Register of—	156 (b)
Rules for administering—	156 (c)
Cattle—	
Audit of accounts of— relief	231
Condition of—, Report on the,	4 (d)
Deportation of—to distant forests	225
Disease, Report on the prevalence of—,	3
Free grazing for—in forests	224
Grazing fees for—of professional graziers	224 (a)
Protection of—, Measures for the,	222—230
Remission of fees for free grazing to—	224 (a)
Cattle camps—	
Admission of animals into—	229
Oil-cake to be given to animals in—	229 (e)
Organization of—	229
Selection of animals for admission to—	229 (b)
She-buffaloes to be admitted to—	229 (d)
Veterinary advice to be essential for the management of—	229 (a)

	Section.
Charge—	
Day book of—	125
• Definition of a—	88
Equipment of a—	App. IV
	16-17
Gangs and—	96-104
Hospital arrangements for a—	App. IV
	33-38
Relief—	96,
	App. IV 1
Staff for a—	App. IV 2
Charge Officer—	
Absent workers, Refund of wages of, to—	115 (z)
Appointment of—	88
Cash balance statement to be signed by—	128
Cash book to be kept by—	128
Cashier of the charge, —to be the,	128
Charge day book to be written up by—	129
Coins, Arrangements to be made by—for the supply of,	App. IV
	18-19
Contingent expenditure, Limit to the, of—	131
Daily post card to be submitted by—	93
Dependants, High percentage of, to be explained by—	119
Diet register, Submission of, to—	132
Drafting, Precautions to be taken by—in,	87
Duties of—	89 &
	App. IV 3
Exclusion from works,—to be responsible for,	70
Funds, Executive Engineer to keep—in,	123, 126
Funds, Opening of works with sufficient,	126
by—	99,
Gangs, Formation of, by—	App. IV 50
General report of public works by—	93
Hospital accounts to be kept by—	132
Hospital supplies to be indented from—	218 (b & c)
Indents for funds to be made well in advance of requirements by—	126
Inspecting officers to issue direct orders to—	49
Inspection book of—	49
Kitchen accounts to be kept by—	132
Kitchen superintendent to be subordinate to—	122 (a)
Menials for kitchens to be appointed by— from amongst relief workers	122 (a)
Must-roll to be kept with—	117 (a)
Non-working children, Attention to be paid to, by—	123
Progress return of public works to be prepared by—	93
Responsibility of—in cases when advances for payment are made in anticipation of measurement	130
Return of patients in hospitals to be forwarded to—	220 (f)
Subordination of—to the Executive Engineer and Public Works Sub-divisional Officer	46, 88, 131
Tasks, Adjustment of, by—	107
Vouchers to be submitted by—	276
Wages and allowances to mustering kárikás to be disbursed by—	129
Charges and Gangs—	
Rules for the formation of—	93-104
	App. IV
	47-53
Charitable Funds—	
Distribution of—	242
Checking Karkuns—	
Duties of—	App. IV 7
Children—(also see Non-working children).	
Allowances of—in arms	79, 139 (f)
Classification of—	95
Non-working—	123
Orphanages, Disposal of—in,	179, 182
	(e)
Village relief to—of workers at the commencement of rain	172
Wage scale for—	73

	Section.
Cholera (see Epidemics).	
Circle Inspector—	
Admission orders to be granted by—	68 (a)
Allowance to persons proceeding to relief works, Authority of—to give,	56
Charges of permanent—to be split up	54
Death registers, Examination of, by—	55 (a)
Destitution, Dealing with cases of, by—	55 (b)
Diary, Submission of, by—	4 (d),
	55 (f)
Distress, Detection of, by—	4 (b)
Distress, The village Accountant to report to the—the existence or prospect of,	3
Dole accounts, Examination of, by—	35 (c)
Dole, detailed bill of, to be scrutinised by—	149 (f),
	150 (d)
Dole, Price of grain for, to be temporarily fixed by—	155 (e)
Duties of—	4, 55, 56
Errors in accounts, Submission of memorandum of, by—	55 (e)
Famine duties, Instruction of—in their,	22 (h)
Grain distributed by—, Inquiry into complaints about,	55 (c)
Gratuitous relief registers, Checking by—of,	55 (c)
Gratuitous relief, Training of—in selection for,	30
Permanent advances to—	259 (b)
Price of grain for dole, Fall in, to be brought to the notice of Relief Mámlatdár by—	155 (e)
Special appointment of additional—	54
Subordination of—to Relief Mámlatdár	51
Táluka returns, Preparation of, by—	4 (f)
Village Committees to be instructed by—	55 (c)
Village gratuitous relief,—to direct and control distribution of,	55 (e)
Village inspection by—	4 (a), 55
Work of—, Supervision of the, by Mámlatdár	5 (a)
Circles—	
Relief—	54
Civil Surgeon—	
Dep't keeper of medicines,—to be,	211 (b)
District Medical Officer, Duties of, to be performed by—	213
Duties of—	211, 212
Head-quarters,—to remain at,	211 (a)
Hospital accommodation,—to ascertain whether, is ready	211 (e)
Indents for medicines, etc., to be compiled with by—	211 (c)
List of medical officers,—to keep	208 (a)
Medical officers to be sent to their posts by—	211 (d)
Police, Medicines to be obtained by the, from—	203
Post-mortem examination by—	211 (f)
Requisitions for medicines to be made by— on Medical Storekeeper	212
Requisitions for medicines, &c., to be prepared under the instructions of—	206 (i)
Study of diseases by—	211 (f)
Subordination of—to the Collector	211
Civil works—	
Classification of—	10
Programmes, Inclusion of—in village works	15 (a)
Cloth—	
Employment of weavers on making such—as is required by Government...	195
Purchase of—manufactured by weavers	194, 195
	(b)
Sale of— do. do.	195
Clothing—	
Charitable funds, Gifts of—to be given from,	242
Supply of—to destitute convalescents	App. IV
	38
poor-house inmates	164
Coins (see Small Coins).	

	Section.
Collector—	
Agricultural and vital statistics, Submission through—of, ...	2
Appointments, Power of the—to make, ...	300
Audit of bills by— ...	263
Bills, Treatment of, by— ...	267
Charge Officer, Appointment of, by— ...	88
Dependants, Cash allowance to, to be sanctioned by— ...	121 (a)
Dependants to be brought on village gratuitous relief register by— ...	120
Distress,—to make proposals for the relief of, ...	7 (d)
Distribution of funds by— ...	245 (b)
Dole, Distribution of, to be directed by— ...	23 (b), 148
Draft workers, Power of—to, ...	86
Duties and powers of— ...	7, 23, 43
Elimination of dependants by— ...	120*
Estimate of expenditure by— ...	244, 270
Estimates of numbers, on relief by— ...	23
Fodder crops, Water rate for, to be discontinued by— ...	223
Forest produce, Suspension of rules for collection of, by— ...	235 (a & b)
Fuel to relief workers by order of— ...	78
Grain,—to be informed of movement of, ...	22 (d)
Grain dealer's register of advances to be opened by— ...	316 (c)
Grants, Application by—for, ...	244
Grants, Distribution of, by— ...	245 (b)
Grants, Transfer of, by— ...	245 (d)
Grass, Distribution of, under the order of—	228 (c)
Grass, Passes for, at reduced price to be given by officers empowered by— ...	238 (d)
Gratuitous relief, Power of—to commence distribution of, ...	23 (b), 38 (c)
Horse allowance, Power of—to grant, ...	309
Immigrants from Native States,—to correspond direct with Political Agent about, ...	233
Land revenue, Suspension of, by— ...	7 (d)
Medical officers' appointment orders to— ...	299
Medical officers,—to advise Sanitary Commissioner of probable requirements of ...	42
Medical officers to be requisitioned from Surgeon-General by— ...	210 (a)
Municipalities, Assistance of, to be taken by—	160
Non-official relief agency, Organisation of, by— ...	22 (i)
Objections, Disposal of, by— ...	263 (c), 305, 308
Orphans,—to be the guardian of ...	178
Orphans, Making over of, to claimants by—	181 (d)
Orphans, Responsibility of—for, ...	178, 179
<i>Pardaniashin</i> women, Arrangements for gratuitous relief of, to be made by— ...	148
Permanent advance to— ...	250 (a)
Permanent advances, Allotment of, by— ...	250 (b), 251 (b)
Permanent advances,—to see to refund of, ...	253
Personal Assistant to the— ...	43
Poor-house establishment to be decided by— ...	168
Poor-houses, Opening of, by— ...	23 (d)
Poor-houses, Report about opening of, by—	25
Preliminary report by— ...	22 (l)
Price-basis, Date of fixing, to be communicated by— ...	74
Price-basis, Power of—to alter, ...	74
Printing by— ...	306
Private orphanages, Free access to the—to, ...	181 (e)
Private trade,—not to interfere with, ...	240 (e)
Programmes of public works ...	14
Programmes of village works ...	15
Programmes of works to be revised by— ...	22 (e)
Public works, Order of opening, to be recommended by— ...	64
Register of famine expenditure,—to maintain.	268
Relief Circles, Division of <i>talukas</i> into, by—	54
Roadside deaths, Report on, to— ...	205
Sanitary Commissioner to address—on matters not connected with medical administration ...	206 (e)
Sanitary Commissioner to inform—of his movements ...	206 (m)

	Section.
Collector—continued.	
Selection for admission to works, Report regarding, by— ...	60 (e)
Small coins, Arrangements by—for, ...	311, 312, App. IV 18
Special Relief Officers, Extension of powers of, by— ...	59
Standard rate of work to be reported to—	1-6
Stationery, Purchase by—of, ...	306
Submission by—of	
estimate of expenditure ...	214
periodical reports and returns ...	231
programmes of public works ...	14
programmes of village works ...	15
register of famine expenditure ...	268, 269
supplementary estimates of expenditure ...	245 (e)
test works, weekly return of, ...	24 (g)
Submission to—of	
birth and death-rate returns— ...	5 (c)
collecting information, report about defects in, ...	8 (b)
diaries of Special Relief Officers ...	60 (g)
general report of public works ...	93
memo. of errors in accounts ...	266
orphans, register of, in private orphanages, ...	181 (b)
orphans, weekly statement of, ...	182 (d)
post card on public works ...	93
progress return of public works ...	93
Subordination to—of	
Civil Surgeon ...	211
Executive Engineer ...	46
Officers of all Departments on famine duty	42
Sub-divisional Officer ...	48
Village works inspector ...	143
Superintendent of Police, Report of, to—	200
Symptoms of distress, Police officers to keep the—inform of, ...	22 (c)
Takávi,—to apply for allotments for, ...	238 (a)
Tasks, Power of—to vary, ...	106
Test works, Grant of cooked food to women and children on, by— ...	24 (f)
Test works into relief works—to convert, ...	24, 38 (a)
Test works, Opening of, by— ...	23 (a)
Test works, Report about opening of, by— ...	25
Test works, Supervision of, by— ...	24
Tools for village works to be supplied by—	App. V 11
Village inspection, Organization of, by— ...	22 (h)
Village officers, application regarding relief of, by— ...	28 (c), 159
Village servants, relief by— ...	23 (e), 158 (a)
Village works, Control of—on, ...	137
Village works, Order of opening, to be decided by— ...	64
Wanderers, Orders regarding relief of, by—	23 (a)
Water-supply, Allotments for the improvement of, to be placed at the disposal of—	239
Weavers, Control of—on special relief to, ...	193
Works, Notice of intention of opening, to be given by— ...	65
Works, Power of—to open new, ...	38 (b)
Works, Report about completion of, to—	65
Commissioner—	
Accounts, Report to—irregularities in ...	266
Appointments, Power of the—to make, ...	300
Audit of accounts, Government to be informed of, of special relief to weavers by— ...	196
Bills, Sanction by—to delegation of officers to audit ...	261
Cash dole to be sanctioned by— ...	148
Defalcation of funds to—, Report regarding, ...	315
Definition of the word—as used in the Code. ...	87
Delegation of certain powers to— ...	315
Distribution of funds by— ...	245 (a)
Estimate of expenditure, to— ...	244, 270
Expenditure in anticipation of allotment, Sanction to, by— ...	245 (c)
Extract from the record of numbers of persons available for famine duty to be forwarded to the— ...	18
Famine, Report by the—regarding the imminence of, ...	26

	Section.
Commissioner—continued.	
Forest produce, Suspension of rules for collection of, by—	235 (a)
Forests, throwing open of, to free grazing by—	224
Grants, Sanction by—to transfer of,	245 (d)
Minimum wage, Power of—to give, in certain cases	113
Permanent advance, Report to—regarding,	231 (b)
Personal Assistant to the—	41
Poor houses, Number of, to be opened to be fixed by—	163
Price-basis, Fixing of, by—	74, 75
Prices, Report to—regarding rise of,	7 (c)
Printing, Approval of—for,	306
Railways to be informed of impending scarcity or famine by—	32
Register of allotments to be submitted by—	247
Rest-day allowance, Power of—to dispense with,	85
Special Relief Officer, Appointment of, by the—	59
Stationery, Approval of—for purchase of,	309
Submission to—of	
programmes of public works	14
programmes of village works	15
register of famine expenditure	268
Special Relief Officer's diary	60 (g)
Supplementary estimate of additional grants, Sanction to, by—	245 (c)
Tasks, Sanction of—to vary	106
Transport of grain and fodder,—to convene meeting to consider measures for,	33
Wage-basis, Fixing of, by—	74, 75
Wages, Reduction of, on village works to be decided by—	75
Works, Order of opening, to be decided by—	64
Committee—	
Admission orders to be granted by village—	68 (a)
Central,—Appointment of, in each taluka.	22 (i)
Grain doles to be given in the presence of the—	149 (b)
Gratuitous relief, Instructions to village—about,	55 (c)
Gratuitous relief in towns, Assistance of— for,	160
Gratuitous relief register, Village to assist in preparing,	147
Orphanages, Non-official—for the inspection of,	182 (f)
Contingent Charges—	
Bills for—	256
Charge Officer's power to incur—	181
Debit of—	294 (d)
	Note (ii)
Crime—	
Reports of increase of—	23 (c), 200 (a)
Crops—	
Report on the condition of—by: the Circle Inspector	4 (d), 5 (e)
Report on the failure of—	3, 6 (d)
D.	
Dasturi—	
Prevention of—	72
Delegation—	
Audit bills,—of powers to officers to	261
Contingent charges,—of powers regarding,	315
Defalcations of funds,—of powers regarding,	315
Establishments,—of powers for entertainment of,	300
Powers of Government,—of certain,	315

	Section.
Dependants—	
Adult—, Sending to works of,	122 (k)
Allowances of—to be shown as gratuitous relief	135
Cash allowance to—	121 (a), 123
Cash allowances, Necessity of careful scrutiny when paying to—	118
Cash paid—, Work for,	124
Classification of—	95
Definition of—on works	118
Diet of—, Varying of the,	123 (j)
Elimination of—	120
Emaciated—, Milk for,	122 (j)
Gangs of—	122 (c)
Kitchen—, Admission and attendance register of,	122 (b)
Kitchens, Feeding of—in,	122 (k)
Kitchens, Relief of—by cooked food in,	121 (a)
Latrines for—	91, 122 (f)
Percentage of—	119
Persons for whom there is no room on works to be paid—allowance	97
Persons proceeding to relief works to be given—allowance	56
Poor-houses, Allowance of—to be paid to inmates of,	184
Rest-day allowance to be equal to—allowance.	84
Rest-day, Allowance of—on,	84
Rations of—, Amount of grain in,	122 (i)
Scale of allowance of recipients of village gratuitous relief to be same as that of—	148
Sheds for—suffering from itch and conjunctivitis	123 (g)
Starving persons to be given—allowance	81
Suspension of work, Allowance of—on days of,	82
Test works, no allowance to—on,	94 (e)
Villages, Collector to send—back to, and put them on village gratuitous register	120
Village servants, Relief to—of,	159
Village works, No relief to—on,	139 (f)
Wage (minimum) of—in certain cases	113
Wage scale for—	73
Weakly, Allowance of the, not to fall below—allowance	119
Workers, Allowance of—to,	179
Works, Kitchens and—on,	118—124
Work to be given to—	123 (e)
Deputy Sanitary Commissioner—	
Duties of—	207
Return of patients in hospitals, to be submitted to—	220 (f)
Subordination of—to the Sanitary Commissioner	107
Deserted children—	
Disposal of unclaimed—	182 (e)
Enquiries to be made about the guardians of—	178
Making over of—to people who would adopt or support them	180
Public institution, Sending of—to,	182 (e)
Relief works, Sending—to,	179
Diary—	
Circle Inspector to report migration in his—	60 (d)
Submission of—by	
Circle Inspector	4(d), 55(f)
Medical Officer	220 (e)
Relief Mamlatdars	58
Special Relief Officer	60 (g)
Village works inspectors	App. V 14
Diet—	
Hospital—, Sanitary Commissioner to issue instructions as regards,	206 (j)
—register	132, 153 (b), (ii), 227 (e)
Special—to the emaciated	122 (k)
Variation of—of dependants by medical officer	122 (j)
Direct expenditure—	
Treatment of—	294 (d)

INDEX.

Section.	Section.
Director of Agriculture—	
Affected tracts to be visited by—	22 (b)
Agricultural and vital statistics, Submission of, to— through the Collector	2
Agricultural circumstances, Maintenance of a statement of, by—	8 (f)
Annual report of—	8 (c)
Crop and season report, Compilation and collection of, by—	8 (e)
Duties of the—	8
Information, Supervision of the system of collecting, in normal times by—	8 (a)
Rainfall and season reports, Publication of monthly summary of, by—	8 (c)
Retail prices, Publication of fortnightly return of, by—	8 (d)
Schedule of normal retail shop rates, Preparation of, by—	8 (h)
Statistical Atlas, Maintenance of the, by—	8 (g)
District Medical Officer—	
Appointment of—	213
Civil Surgeon to perform the duties of—	213
Diet, Rules for special, to the emaciated to be laid down by—	122 (k)
Duties of—	214
Hospital accounts, Scrutiny of, by—	214 (g)
Inspection by— of	
birth and death-rate registers	214 (e)
recipients of gratuitous relief	214 (c)
sanitary arrangements	214 (b)
supply of medicines with village officers	214 (e)
villages	214 (d)
water-supply arrangements	214 (d)
Kitchen accounts, Scrutiny of, by—	214 (g)
Medical establishment to be in general charge of—	214 (a)
Misconduct of medical subordinates to be dealt with by—	215
Patients in hospitals, Return of, to be forwarded to—	220 (f)
Powers of— as regards medical subordinates	215
Requisitions for medicines, etc., to be prepared under the instructions of—	206 (i)
Transfer of medical officers to be reported to—	216
Visitors' book of hospitals to be examined by—	218 (g)
Doctors—	
Entertainment of native—	209
Dole—	
Absent recipients, of—	149 (c)
Attendance at the distribution of—	149 (c), 150 (a)
Bills, Distribution of grain—on post payment of,	149 (b)
Bills for—, Preparation of,	149 (f), 150 (d)
Cash—, Distribution of,	148, 150
Grain-dealer to distribute grain—	149 (b)
Grain—, Distribution of,	148, 149
Preparation of— distribution list	149 (c)
Register, of— recipients	147
Ticket for— recipients	149 (d)
Valedictory—on the closure of gratuitous relief	176
Valedictory— to poor-house inmates	167
Drafting—	
Charge Officer's duties in—	87
Persons for whom there is no room on works, of—	97
Power of Collector for—	86
Precautions to be taken in—	86
Procedure of—	87
Weakly persons, of—	173
Duties of Officers (see Powers and duties).	
E.	
Earthwork—	
on public works	App. IV 65-80
on village works	App. V 2-9
Task tables for—	App. IV
Emaciated persons—	
Milk for—	122 (j)
Special diet to—	122 (k)
Treatment of—	81
Epidemics—	
Corpses, Disposal of, during—	App. IV 30
Village works to be opened on the outbreak of—	63
Works, Arrangements on, in cases of—	App. IV 30-82
Establishments—	
Accounts—, Extra	269 (c), 279
Additional—to be sanctioned by Government	27
Attendance register of public works—	133
Bills for—, Treatment of	256, 257, 804
Charge—to be appointed by Executive Engineer	App. IV 2 (Note 1)
Classification of charges of—	294
Cost of—, Distribution of	287
Entertainment of—	300
Medical—	30, 206 (a), 208, 300
Payment of monthly—	133
Pay of poor-house—	169
Permanent advances, Charges for— not to be paid from,	251 (c)
Police—	31, 199
Proposition statement for famine—	301
Public works offices—, Debit of charges of	294
Register of—	302
Reserve of—	18-19
Salaries of—, Payment of,	294 Notes
Scale of—to be fixed by Government	300
Strengthening of—by Collector	22 (e)
Superintending Engineer to attend to distribution of Engineering—	45 (d)
Works—	62
Estimates—	
By Collectors	244
By Commissioners	244
Cash requirements, of—	246
Supplementary—	245 (c)
Executive Engineer—	
Account establishment of—	278
Appointments, Power of the—to make,	300
Audit of accounts by—	283, 284
Cash balance statement to be forwarded to—	128
Cheques not to be included in monthly return of—	288
Completion of work, Collector to be informed of the date of, by—	65
Dead stock articles to be made over to—	317
Duties of—	46
Establishment on public works charges to be appointed by—	App. IV 2 (Note 1)
Estimates of funds by—	270, 271
Funds, Charge Officer to be kept in, by—	125
Funds to Sub-divisional Officer by—	273
Hospital accommodation, Civil Surgeon to ascertain from—whether, is ready	211 (e)
Hutting materials, etc., Requisition for, to be made by—	236 (a)
March return, Submission by—of	291
Medical Officer, Points of doubt to be referred to—by,	218 (f)
Medical officers, Transfer of, to be communicated to—	216
Memo. of errors to—	280
Objections, Power of disposal of, by—	308

Section.	Section.
Executive Engineer—continued.	
Opening of works, Arrangements for, to be made by—	63
Opening of works, Notice of, to be given to—	65
Pay, Advance of, to be given by—	238 (b)
Personal Assistant to the—	47
Printing locally, Permission to— for,	306
Programmes, Preparation of, by—	14, 15
Programmes, Revision of, of works in consultation with—	22 (e)
Public works to be managed by—	46
Register of works by—	293
Return of accounts by—	286
Return of expenditure to be scrutinized by—	277
Standard rate of work to be reported for sanction to—	136
Statement of cash and treasury balances by—	285
Stationary to be purchased by—	306
Submission to— of	
post card	93
progress return on public works	93
return of patients in hospitals	220 (f)
Subordination of—to the Collector	46
Subordination to— of	
Charge Officer	46, 88
Medical Officer	46, 216
Officer on public works	46
Test works, Management of, by—	24
Tool return to—	292
Tools for procuring hutting materials, etc., from forests to be supplied by—	236 (c)
Workers, Numbers of, in a charge to be fixed by—	96
Expenditure—	
before sanction of grant	243
Checking of— on works	136, 262
Classification of—	294—298
Control and audit of—	259—269, 277—289
Debit of—	266
Direct—	294
Estimates of—	244, 270
Final debit of relief—	296
Grant for indirect—	249
Indirect—	294
Local Fund—	243, 319
Municipal—	243, 319
Public works,—on,	297
Recording of—before famine	243
Register of famine—	268
Register of indirect—	249
Return of— not debitable to famine relief	290
Takávi Act,—under,	298
Urgent,— Treatment of,	243
Village works,—on,	298 (a)
F.	
Famine—	
Accounts of—to be kept separate	274
Classification of expenditure before declaration of—	243
Commissioner's report on the imminence of—	26
Declaration of— and commencement of relief	35—39
Government of India to be informed of the definite approach of—	34
Measures on the declaration of—	38
Railways to be informed of impending—	33
Records of persons available for— duty	18—19
Rules for— reports to Government of India	231
Standing preparations against—	App. II 1—20
Famine Commissioner—	
Appointment of a—	36
Duties and powers of—	40
Famine relief to be under the control of—	40
Local Government, Power and authority of, to be exercised by—	40
Monthly accounts and statement to—	248
Wage scale, Power of—to deviate from the,	76
Files—	
Destruction of—	App. IV. 40—46
Fodder—	
Audit of accounts of— operations	230
Conveyance of— on railways, Precedence to the,	241 (c)
Distribution of— in districts, Securing facility to the,	241 (d)
Distribution, Rules for the, of imported—	228
Failure of—, Report on the,	3
Government servants, Supply of—to	238 (g)
Grossing of— crops	223 (a), 223
Importation of— by private enterprise	29
Importation of—, Rules for the,	227, 228
Merchants to be consulted about the sources of supply of—	33
Rates of conveyance of— by railways	241 (e)
Scarcity of—, Steps to meet,	29
Storage shed for— on railways	241 (b)
Transport of— by railway	84—83
Water rates for— crops	233
Food-grains (see Grain).	
Forest Officers—	
Arrangements for procuring hutting materials, etc., from forests by—	236 (b)
Supply of hutting materials, fuel, etc., by—	233 (a)
Forests—	
Aboriginal tribes,—works for,	185 (b)
Aboriginal tribes, Free use of— produce by,	190
Aboriginal tribes, Reduction of fees for— produce for,	190
Depotation of cattle to distant—	225
Free collection of edible— produce	235
Free grazing in—	222 (b), 224
Fuel for relief workers from—	78, 236
Opening of— for free grazing	224
Proclamation about granting and withdrawing of concessions to— rules	235 (c)
Supply of hutting materials, fuel, &c., from Government—	236
Suspension of rules for collection of— produce	235 (a & b)
Forms (pages 119—183).	
Fuel—	
Supply of—to relief workers	78, 236
Funds—	
Allotment of—	245, 270, 272
Charge Officer to obtain— on indent	126
Charitable,—, Distribution of,	242
Confirmation of the Government of India for— assigned by Local Government	27
Distribution of— with least expense to Government	312
Expenditure before sanction of—	243
Form of indents for—	126
Indents for—to be made well in advance of requirements	126
Local,—, Expenditure from,	243, 319
Moving— by cash orders	312
Municipal,—, Expenditure from,	319, 249
Opening of works with sufficient—	126
Provision of—	243—253 (270—276
Public works, Allotment of— for, by the Superintending Engineer	45 (c)
Public works, Provision of— for,	126
Supply of— by	
esorts for circuits of villages	313 (b)
money order system	313 (a)
police stations as centres	313 (c)
touring officers	313 (d)
Takávi advances,—for,	238 (a)
Villages, Mode of keeping, in—	313
Water supply, Allotment of— for improvement of,	239

	Section.
G.	
Gangotri—	
Gangs to elect their own—	95
Muster-roll to be in charge of—	117 (c)
Wages of—	
on public works	73, 98
on village works	139 (d)
Gangs—	
Changes in—	99,
App. IV 53	
Charges and—	99, 104
Constitution of—	100
Dependants—	123 (c)
Finishing—, Employment of,	116 (b)
Formation of—by Charge Officer	89,
App. IV 50	
Kitchen—, Grouping of, into messes	122 (d)
Members of a family to be in same—	98
Muster-roll to be maintained for each—	129
Number of workers in—	98
Organisation of—	App. IV
47-53	
Persons for whom there is no room on works,	
—of,	97
Persons from one village to be in same—	98
Proportion of carriers and diggers in—	100
Separate—of	
aboriginal tribes	104, 184
immigrants from Native States	104
menials	101
new-comers	101
weakly persons	102
Tasking of—	108
Tasking of weakly—	110
Wages of—to be made up in separate bags—	115 (b), 129
Water-carrying—	App. IV 23
Weakly—Payment of,	112
Weavers, Special—of,	198
Government—	
Aboriginal tribes, Fixing of wages and allow-	
ances of, by—	188
Additional medical assistance from—	209
Clothing, Cost of, to poor-house inmates to	
be defrayed by—	104
Commission to bankers, Report to—regard-	
ing,	314
Defalcations of funds, Report to—	
regarding,	315
Delegation of certain powers of—	315
Establishment, Sanction of—for	27
Establishment, Scale of, to be fixed by—	300
Famine Commissioner, Appointment of, by—	36
Famine Commissioner to have powers and	
authority of—	40
Famine, Declaration of, by—	35
Famine, Government of India to be informed	
of definite approach of, by—	34
Famine, Report to—about the imminence of,	26
Financial position, Review of the, by—	22 (m), 34
Funds, Provision of, by—	27
Grants, Application to—by Commissioner for,	244, 271
Grants, Transfer of, to be sanctioned by—	245 (d)
Herdsmen, Gratuitous relief to, to be sanc-	
tioned by—	226
Importation of fodder by—	227-228
Imprest to be fixed by—	273 (b)
Minimum wage in certain cases, Commis-	
sioner to report to—the grant of,	113
Objections,—to fix period of disposal of,	305
Periodical reports and returns to be submit-	
ted by—to the Government of India	231
Permanent advances, Application to—for,	250 (a),
251 (b)	
Permanent advances,—to specify class of	
officers authorized to cash bills from,	254 (a)
Powers of—	27
Price of grass to be reduced by—	228 (d)
Private trade, Interference of—with,	240 (c) & (d)
Private works, Construction of, with the	
help of—grants	10 (d)
Programmes, Exclusion by—of works from,	237
Rate of conveyance of grain, Report to—	
regarding,	241 (e)

	Section.
Government—continued.	
Sub-divisional Officer, Appointment of	
auditor under, by—	269 (c)
Sub-divisional Officers to be appointed by—	
for audit of accounts	269
Submission to—of	
Accountant General's monthly report	248
Accounts, Irregularities in,	266
Cash and treasury balances	286
death-rate return	206 (k)
explanation of rise in prices	7 (c)
periodical reports and returns	231
preliminary report	22 (l), 34
programmes of relief works	14-16
sick persons, Monthly statements of,	206 (l)
suggestions for the improvement of the	
system of collecting information	8 (a)
weekly weather telegram	7 (d)
Takavi allotments, Collector to apply to—for,	239 (a)
Tools and plant,—to sanction estimates of	277 (a)
Wage scale, Power of—to deviate from the,	76
Wages, General order of—regarding reduc-	
tion of, on village works	75
Wages,—to change mode of payment of,	77
Weavers, Commissioner to inform—of result	
of audit of accounts of special relief to,	196
Weavers, Grant of loans to, by—	193
Government of India—	
Establishment, Sanction of—to the employ-	
ment of,	27
Famine, Local Government to give intima-	
tion of the approach of, to—	84
Funds, Sanction of—for, assigned by Local	
Government	27
Rates of conveyance of grain by railways,	
Power of—regarding,	24 (e)
Rules for the preparation of monthly state-	
ments for—	231, App. II
Submission to—of	
Famine statement F	17
monthly statement A	231 (h)
monthly statement C of death rate	231 (i)
periodical reports and returns	231
preliminary report	22 (m),
App. II 7, 8	
railway projects for sanction	App. I
Grain—	
Aboriginal hill tribes, Sale of—at low rates	
to,	188
Cheap rate, Sale of—at, from charitable	
funds—	242
Contractors, Payment of—,	316
Dependant's allowance, Amount of—for,	122 (f)
Distribution of—in districts	241 (z)
Dole, Distribution of—,	148, 149,
Dole, Fixing of prices of—for,	155
Markets, Protection of—,	204
Movement of—	22 (d)
Precedence to—traffic on railways	241 (c)
Rates of conveyance of—by railways	241 (e)
Stores of supply of—	33 (d)
Storage shed for—on railways	241 (b)
Transport of—, Arrangement for railway,	32-33
Wages of aboriginal tribes to be paid in—	188
Grain dealer—	
Agreement from—for supplying grain	155 (b)
Bill of grain for village, gratuitous relief	
to be prepared by—	149 (y)
Dole, Distribution of, by a selected—	149 (b)
Dole, Supply of grain for, by—at fixed prices	155 (a)
Payment of bill for grain dole to the—	149 (f)
Payment of—	316
Small coins to be supplied by—	310
Village kitchens, Supply of food-stuff for,	
by—	153 (r)
Grain dole (see Dole).	
Grants—	
Allotment of—	245
Application for—	244
Direct expenditure,—for,	245

SERVANTS OF INDIA SOCIETY'S
BRANCH LIBRARY
BOMBAY

INDEX

IX

	Section.
Grants—continued.	
Distribution of—by Collector	245 (b)
Expenditure before sanction of—	243
Indirect expenditure,—for,	249
Transfer of—by Collector	245 (d)
Grass—	
Cutting and transport of—to be entrusted to Forest Department	228 (b)
Distribution of—	228 (c)
Government servants, Supply of—to,	228 (g)
Limited quantity of—to be sold at reduced rate	228 (e)
Passes for—at reduced rate	228 (d)
Price of—to be reduced by Government	228 (d)
Production of—Measures for the increased,	228
Surplus—to be sold at cost price	228 (h)
Time for cutting—	228 (a)
Gratuitous relief (see also Village Gratuitous Relief)—	
Aboriginal tribes,—to,	186, 188
Aboriginal tribes,—to, during rains	189
Aboriginal tribes, Liberal—to,	182, 189
Administration of—	39
Before famine, Grant of—	23 (b), 35
Circle Inspector to control and direct village—	55 (c)
Dependant's allowance to be classed as—	185
Dependants to be brought on—register	120
Distribution of—, Special attention to the,	48
Herdsmen,—to,	226
Inspection of recipients of—by District Medical Officer	214 (c)
Journey to works, Disbursing of allowance for, as—	56
Municipalities to assist in distribution of—	22 (i), 160
Non-official agency, Supervision of—by,	22 (i)
Preliminary registers of—	28
Progress return of—	231 (d)
Scrutinizing of—lists on the increase of demand for field labour	175
Selection of persons for—	39, 69
Stopping of—	175
Training of Circle Inspectors for—	39
Valdictory dole on the stopping of—	176
Village—	145—160
Grazing—	
Areas under plantation and regeneration,— shall not be allowed in,	224 (c)
Discrimination of cattle for—	224 (a)
Fees for—of animals belonging to professional graziers	224 (a)
Free—in forests	224
Remission of fees for—	224 (a)
Sheep and goat,—of,	224 (a & b)
H.	
Hill tribes (see Aboriginal tribes).	
Hospitals—	
Accommodation in—	App. IV 34—35
Accounts of—	132, 214 (g)
Dependants to be sent to—	123 (k)
Diets, Instructions as regards,—, to be issued by Sanitary Commissioner	206 (f)
Head-quarter—to be supervised by Civil Surgeon	211 (a)
Latrine arrangements for—	91, App. IV 36
Medical comforts to patients in—to be given from charitable funds	242
Medical officers in charge of—	217
Appointment of—	218—221
Duties of—	184
Payment of—attendants	165
Poor-house—	220
Registers to be kept at—	220
Scrutiny of—accounts by District Medical Officer	214 (g)

	Section.
Hospitals—continued.	
Supplies for—	218 (a—c)
Visitors' book at—	218 (g)
Works—	App. IV 33—38
Hutting—	
and conservancy	App. IV 26—32
Provision of—accommodation	71, App. IV 26
Supply of—materials from Government Forests	236
I.	
Immediate relief—	
in all urgent cases	232
Immigrants—	
Collector to correspond direct with Political Agents about—from Native States	233
Gangling of—	104
Native States,—from,	233
Native States—to be returned to the authorities of their States	233
Indirect expenditure—	
Treatment of—	240
Inspecting Officers—	
Admission orders to be granted by—	68
Cash balance, Counting of, by—	127
Kitchens, Surprise visits of—to,	154
Permanent advances,—to review,	254 (b)
Public Works—	49, App. IV 79
Railway Department—, Duties of,	241
Suggestion for—of—	151, 170, 154, 144, App. V 14—15
dole	151
poor-houses	170
village kitchens...	154
village works	144
Villages,—of,	52
Village works,—of,	143, App. V 14
Village works, Power of—to expel persons from,	70
Inspection of—	
charge establishments...	App. IV 3 (Note 2)
Custody and—cash	127
grain and cash dole	151
House to house—	53, 55 (a)
lands and crops by Village Accountant	3
muster-rolls	App. IV 78
orphanages	132 (f)
poor-house stock register	170
public works	49, App. IV 79
village kitchens	154
villages	4 (a), 51—61
villages for relief of aboriginal hill tribes	189
village works	144
J.	
Jungle tribes (see Aboriginal Tribes).	
K.	
Kitchens—	
Accounts of—	132, 214 (g), 276 (d)
Admission and attendance register of—	123 (b)
Children in arms of non-workers, Allowances of, relieved in—	79
Condition of children in—to be noted by inspecting officers	154 (A).

	Section.
Kitchens—continued.	
Contraction of circles served by—during rain	153
Cooked-food, Relief by distribution of, in—	121 (a)
Dependants to be given light work about the—	122 (e)
Deserted children to be sent to—	179
Feeding of children on works—	122 (h)
Gangs in—	122 (c & d)
Latrines for—	91, 122 (f), App. IV 28
Management of—, Circle Inspector to assist in the,	55 (e)
Menials for—	122 (e)
Payment of attendants in—	134
Permanent advances to superintendents of—,	153 (k), 250 (b)
Persons on village gratuitous relief to go to—	152
Poor-houses to be utilized as—	121 (b)
Shelters from sun and rain on—	122 (f)
Situation of—	122 (b)
Superintendent of— to be subordinate to the Charge Officer	122 (a)
Surplus food not to be removed from—	153 (i)
Village—	
Distribution of relief in—	159
Feeding in—, Rules for—	153 (d)
—ledger	156 (a) (ii)
—ticket	158 (c)
Management of—, Rules for the—	153
Returns to be kept in—	153 (b)
Work for persons in—	153 (e)
Works—, Management of—,	122

L.

Land Revenue—	
Inquiries as to suspension of—	22 (k), 34
Suspension and remission of,—	7 (d)
Last Pay Certificate—	
Medical Officers'—	299 (c & d)
Officers transferred from another Department, —of	258 (b)
Prompt submission of—	258 (c)
To state what allowances would cease	258 (b) note.
Latrines—	
Arrangements for— on works	91, App. IV 27—28
Hospital—	91, App. IV 36
Kitchen—	91, 122 (f), App. IV 28
Poor-house—	91, App. VI 13
Ledgers—	
Accountant General to get copies of—	156 (a)
Collector to direct the maintenance of—	156 (a)
Gratuitous relief,—of numbers and expendi- ture on,	156 (a)
Huzur office to get copies of—	156 (a)
Poor-house—	156 (a), ii
Prices of grain,—for,	156 (a), iii
Use of—	156 (a)
Village gratuitous relief—	156 (a) i
Village kitchen—	156 (a) ii
Village works—	156 (a) iv
Loans—	
Takavi—	238
Treatment of— and advances	238
Local Boards—	
Works under— to be used as test works	24 (a)
Local Fund—	
Expenditure from—	319

M.

	Section.
Mamlatdars (Mahalkaris)—	
Diaries of Circle Inspectors to be submitted to Sub-divisional Officer by—	5 (b)
Duties of—	5
Permanent advances to—	250 (b)
Village works, Weekly progress return of, to be sent to—	141 (b)
Manager of village works—	
Duties of—	189—142
Permanent advance to—	142 (a & b)
Registers to be kept by—	140 & 141
Security,— to furnish,	142 (a)
Weekly bills of— to be submitted to Sub- divisional Officer	141 (c)
Markets on works—	
Arrangement for—	App. IV 39
Rules for—	92
Measurements—	
Check—	118 (c), App. IV 74
Wages, Disbursement of, in cases where— not completed	130
Work,— of,	116, App. IV 5
Measures—	
to be taken in event of fodder famine	222
to face danger	22
Medical administration—	
Rules for—	206—221
Medical Establishment—	
Charges of—, Debit of,	294 note H
Estimate of—	80, 206 (a)
Misconduct of—	216
Subordination of— to	
District Medical Officer	214 (a)
Sanitary Commissioner	208 (d)
Supply of— by Surgeon-General	208—209
Medical Officers—	
Adult dependants to be sent to works by—	122 (k)
Appointment orders of—	299
Bills for pay of—	299
Births on works, Discretion of—in cases of,	80
Camp hospitals,— in charge of,	217
Children, Treatment of, suffering from itch and conjunctivitis by—	122 (g)
Cholera outbreak on works to be reported by—	218 (e)
Civil Surgeon to send— to their posts	211 (d)
Collector's requisition for— on Surgeon General	210 (a)
Dependants in kitchens, inspection of, by—	122 (k)
Dependants, Varying of the diet of, in con- sultation with—	122 (j)
Detection of contagious diseases by—	219 (f)
Diary of—	220 (e)
Diet register to be kept by—	132
Distribution of medicine by—	219 (m)
Duties of— in charge of hospitals	218—221
Hospital supplies to be indentured from Charge Officer by—	218 (b & c)
Inspection by— of	
dependants in kitchens	219 (i)
food for sale on works	219 (k)
persons on works	219 (j)
sanitary arrangements	219 (l)
Payment of—	299
Permanent advance to—	132
Points of doubt to be referred to the Execu- tive Engineer by—	218 (f)
Poor-houses, Appointment of— to,	206 (b), 217, App. VI 3

INDEX.

	Section.
Medical Officers—<i>continues</i>.	
Posting of—on famine duty...	210
Public works, Appointment of—to...	206 (b), 217
Salaries of—, Rules for the payment of,	259
Statements to be kept by—	220
Stock register to be kept by—	182
Subordinates of—	217
Subordination of—on public works to Executive Engineer	46, 216
Supervision of the work of subordinate—by District Medical Officer	214 (f)
Supply of—by the Surgeon General	208 (b)
Supply of medicines, &c., of—to be kept up to the standard by Civil Surgeon	211 (c)
Transfers of—	216
Vernacular, Knowledge of local, to be possessed by—	210 (b)
Visitors' book of hospital to be kept by—	218 (g)
Medical Storekeeper—	
Requisitions for medicine to be made on—	212
Sanitary Commissioner to inform—of famine requirements	212, 206 (h)
Medicines, etc.—	
Distribution of—	219 (m)
Indents for—to be complied with by—	
Civil Surgeon	211 (c)
Sanitary Commissioner	203 (i)
Scale of—to be drawn up by Sanitary Commissioner	206 (h)
Supply of—to—	
District requisitions	206 (i)
Medical officers on famine duty	211 (d)
Police officers	203
Village officers	214 (d)
Migration—	
Police to report about—	200 (e)
Unusual—, Report on,	3
Military Officers—	
Employment of—on famine duty	App. IV, 3, 4, 8, 15
Salaries of—	294 note iv
Milk—	
Fresh or condensed—for emaciated children	122 (f)
Money-order system—	
Supply of funds by—	318 (a)
Municipalities—	
Assistance of—in the distribution of relief.	22 (i), 160
Expenditure incurred by—	243, 319
Special relief to weavers to be managed by—	193
Mustering Karkun—	
Daily abstract to be drawn up by—	129
Duties of—	App. IV 6
Mustar-roll on public works to be maintained by—	129
Refund of wages of absent workers by—	115 (d)
Wages and allowances, Disbursing of, to—	129
Wages, Payment of, to be made by—	115 (b)
Mustar-rolls—	
Accounts, Nominal—as the basis of,	129
Establishments, Hospital and kitchen, to be shown in daily—	134
Keeping of—by Charge Officer	117 (a)
Public works—	117, App. IV 70, 71 and 73
Signing of—by Charge Officer	99
Test works, Maintenance of complete—on,	24 (e)
Village works—	140 (a)
Weekly—	117 (d)

	Section.
N.	
Native States—	
Collector to correspond direct with Political Agents of—about immigrants	233
Gangs of immigrants from—	104
Immigrants from—	233
Immigrants from—to be returned to the authorities of their States	233
New-comers—	
Admission to—	62
Gangs of—	101
Tasking of—	101 and 109
Treatment of—	101
Non-official Agency—	
Gratuitous relief in towns, Utilization of—in the distribution of,	160
Organization of—	22 (f)
Orphanages, Inspection of, by—	182 (f)
Village gratuitous relief, Employment of—for,	145
Village works, Employment of—for,	137
Weavers, Assistance of—in the management of special relief to,	193
Non-working Children—	
Allowances of—to be shown as gratuitous relief	135
Attention to be paid to—when dependants' allowances are paid in cash	123
Cash allowances to—	121 (a), 123
Cooked food to be given to—	131
Treatment of—	121—123
Nurses—	
Dependants to be placed in charge of—	122 (e)
Selection of—from female relief workers	122 (e)
O.	
Objections—	
Book of—	305
Disposal of—	263 (c)
Executive and controlling officers to dispose of—	308
Numbering of—	305
Orphanages—	
Book of—	294
Deserted children to be sent to—	180
Free access to people claiming children to private—	181 (c)
Free access to the Collector to private—	181 (e)
Grants-in-aid to private—to be given from charitable funds	242
Inspection of—	182 (f)
Private—, Rules for the management of,	181
Rules for the management of poor-houses to be applied to—	182 (e)
State—, Rules for the management of,	182
Orphans—	
Collector to be the guardian of—	178
Comforts to—to be given from charitable funds	242
Disposal of deserted—	179
Disposal of unclaimed—	182 (a)
Free access to—in private orphanages	181 (e)
Making over of—to claimants	178
Poor-houses, Separate accommodation for—	182 (a & b)
at,	182 (d)
Register of—	181 (b)
Relief of—, Rules for the,	178—183
Relief works, Sending of—to,	179
Training and support of—after famine to be charged to charitable funds	242
Weekly statement of—	182 (d)

INDEX.

	Section.
Kitchens—continued.	
Contraction of circles served by—during rain	153
Cooked-food, Relief by distribution of, in—	121 (a)
Dependants to be given light work about the—	122 (e)
Deserted children to be sent to —	179
Feeding of children on works—	122 (k)
Gangs in —	122 (c & d)
Latrines for—	91, 122 (f), App. IV 28
Management of —, Circle Inspector to assist in the,	55 (a)
Menials for —	122 (e)
Payment of attendants in —	134
Permanent advances to superintendents of—	153 (k), 250 (b)
Persons on village gratuitous relief to go to—	153
Poor-houses to be utilized as—	121 (b)
Shelters from sun and rain on —	122 (f)
Situation of —	122 (b)
Superintendent of —to be subordinate to the Charge Officer	122 (a)
Surplus food not to be removed from —	153 (d)
Village—	
Distribution of relief in —	153
Feeding in —, Rules for,	153 (d)
—ledger	156 (d) (ii)
—ticket	158 (c)
Management of —, Rules for the,	153
Returns to be kept in —	153 (b)
Work for persons in —	153 (e)
Works —, Management of —,	122
L.	
Land Revenue—	
Inquiries as to suspension of —	22 (k), 34
Suspension and remission of, —	7 (d)
Last Pay Certificate—	
Medical Officers' —	299 (c & d)
Officers transferred from another Department, —of	258 (b)
Prompt submission of —	258 (c)
to state what allowances would cease	258 (b) note.
Latrines—	
Arrangements for — on works	91, App. IV 27—28
Hospital—	91, App. IV 36
Kitchen—	91, 122 (f), App. IV 28
Poor-house—	91, App. VI 13
Ledgers—	
Accountant General to get copies of—	156 (a)
Collector to direct the maintenance of—	156 (a)
Gratuitous relief,—of numbers and expendi- ture on,	156 (a)
Hastur office to get copies of —	156 (a)
Poor-houses—	156 (a), ii
Prices of grain, —for,	156 (a), iii
Use of —	156 (a)
Village gratuitous relief —	156 (a) i
Village kitchen —	156 (a) ii
Village works—	156 (a) iv
Loans—	
Takavi —	238
Treatment of — and advances	238
Local Boards—	
Works under — to be used as test works	24 (a)
Local Fund—	
Expenditure from—	319

	Section
M.	
Mamlatdars (Mahalkaris)—	
Diaries of Circle Inspectors to be submitted to Sub-divisional Officer by —	5 (b)
Duties of —	5
Permanent advances to —	250 (b)
Village works, Weekly progress return of, to be sent to —	141 (b)
Manager of village works—	
Duties of —	139—1
Permanent advance to —	142 (a & b)
Registers to be kept by —	140 & 14
Security, — to furnish,	142 (a)
Weekly bills of — to be submitted to Sub- divisional Officer	141 (c)
Markets on works—	
Arrangement for —	App. I 3
Rules for—	92
Measurements—	
Check—	118 (c), App. IV
Wages, Disbursement of, in cases where— not completed	130
Work, — of,	116, App. I
Measures—	
to be taken in event of fodder famine	222
to face danger	22
Medical administration—	
Rules for —	206—22
Medical Establishment—	
Charges of —, Debit of,	294 not
Estimate of —	50, 206
Misconduct of —	215
Subordination of — to	
District Medical Officer	214 (a)
Sanitary Commissioner	206 (d)
Supply of — by Surgeon-General	208—2
Medical Officers—	
Adult dependants to be sent to works by —	122 (k)
Appointment orders of —	299
Bills for pay of —	299
Births on works, Discretion of—in cases of,	80
Camp hospitals, —in charge of,	217
Children, Treatment of, suffering from itch and conjunctivitis by—	122 (g)
Cholera outbreak on works to be reported by—	218 (e)
Civil Surgeon to send — to their posts	211 (d)
Collector's requisition for — on Surgeon General	210 (a)
Dependants in kitchens, inspection of, by —	122 (k)
Dependants, Varying of the diet of, in con- sultation with—	122 (f)
Detection of contagious diseases by—	219 (j)
Diary of —	220 (e)
Diet register to be kept by—	132
Distribution of medicine by —	219 (m)
Duties of — in charge of hospitals	218—22
Hospital supplies to be indented from Charge Officer by —	218 (b & c)
Inspection by — of	
dependants in kitchens	219 (i)
food for sale on works	219 (l)
persons on works	219 (j)
sanitary arrangements	219 (k)
Payment of —	299
Permanent advance to—	132
Points of doubt to be referred to the Execu- tive Engineer by —	218 (f)
Poor-houses, Appointment of — to,	206 (b), 217, App. VI

	Section.
Programmes—	
Aboriginal tribes, — for, ...	185 (b)
Fresh schemes for—, Preparation of, ...	45 (a)
Numbers to be provided for in—, ...	13
Opening of works on—, ...	64—65
Public Works—, ...	14
Railway project—, ...	11 (a)
Relief works—, ...	9—10
Revision of—of works, ...	22 (e)
Selection of works for—, ...	11 (a-c)
Village works, Preference of, in—, ...	11 (b)
Village works—, ...	15
Water-supply works, Preference of, in—, ...	11 (a)
Progress returns—	
Checking of expenditure from weekly—, ...	136
of relief works, ...	281 (c)
Preparation of—, ...	93
Scrutiny of District—, ...	45 (f)
Proposition Statements—	
Dispensing with— for famine establish- ments, ...	301
Public health—	
Report on—, ...	4 (d)
Public works—	
Accounts on—, ...	125—136
Admission to—, ...	66(a), 94
Appointment of medical officers to—, ...	206 (b), 317
Attendance register on—, ...	133
Charges and gauges on—, ...	96—104
Classification of— expenditure, ...	237
Co-operation of— and civil staffs, ...	44 (c)
Dependants on—, ...	118—124
Expulsion from—, ...	70
Funds for—, Allotment of, ...	45 (c)
Funds, Provision of, for—, ...	125
Gaugers, Wages of, on—, ...	88
General report of—, ...	93
Inspection of—, ...	40, App. IV 79
Keeping open of— after setting of rains, ...	173
Kitchens on—, ...	122
Large—, ...	10
Latrines on—, ...	91, App. IV 27
Management of—, ...	88—137, App. IV
Markets on—, ...	92, App. IV 89
Menials on—, ...	95
Opening, Order of,—, ...	64
Organization of—, ...	88—93
Persons for whom there is no room on—, ...	97
Post card on—, ...	93
Programmes of—, ...	14
Progress return of—, ...	93
relief charge, ...	96
Rest-day on—, ...	83—85
Selection of sites for—, ...	45 (b)
Selection of workers for admission to—, ...	60, 69
Small—, ...	10
Sub-divisional Officer not to organise—, ...	43
Tasks on—, ...	105—110, App. IV 54—69
* Tools for—, ...	App. IV 77
* Village works, System on, to be the same as that on—, ...	138
Wages on—, ...	111—117
Public Works Department—	
Cash-book of— officers, ...	274
Dependants, Allowances of and expenditure on, to be accounted for in the—, ...	135

Public Works Department—contd.

Establishments of— offices, Treatment of charges of, ...	304
Imprest,—, to be fixed by Government, ...	273(b)
Medical officers on— Payment of, ...	296(g)
Military officers under the—, Pay of, ...	294 (note iv)
New duties of— officers, ...	44 (a)
Powers and duties of— officers, ...	44
Programmes, Current projects of the— to be included in, ...	14 (a)
Submission to Government in— of— estimates of funds, ...	271
programmes of relief works, ...	14—15
report regarding reserves of tools, ...	20
Superintending Engineer to supervise opera- tions of— officers, ...	45
Village works, Transfer of, to—, ...	137
Works to be carried out under the rules of—, ...	237

R.

Railway—

Famine,— to be informed of impending, ...	32
Food-grain and fodder, Treatment of, in— traffic, ...	241 (c-e)
Grain, Sheds for storage of, at— stations, ...	241 (b)
Meeting of Civil and— officers, ...	33
Programmes of— projects, ...	11 (a)
Rates for conveyance of grain by— to be con- trolled by Government, ...	241 (e)
Supervising— officers, Duties of, ...	241
Transport of food-grains and fodder by—, ...	32—33
Wagons, Allotment of—, ...	241 (a)

Rainfall—

Publication of summary of— report, ...	8 (c)
Submission of— reports to—, ...	5 (c)
Collector and Sub-divisional Officer Government, ...	7 (b), 231 (b)

Rains—

Aboriginal tribes, Gratuitous relief for, dur- ing—, ...	189
Aboriginal tribes, Village inspection for, during—, ...	189
Gratuitous relief to workers on the setting of—, ...	172
Kitchens, Ciroles served by, to be contracted during—, ...	152
Object of— policy, ...	171
Policy after the setting in of—, ...	173
Policy at the commencement of—, ...	173
Policy during— and closing of relief, ...	171—177
Tasks, Raising of, on the approach of—, ...	106
Tasks to be raised at the commencement of—, ...	172
Village inspection to be active during—, ...	171
Village works, Reserve of, at commencement of—, ...	63
Works, Closure of, after—, ...	174
Works, Keeping open of, after the setting in of—, ...	173

Receipts—

Cash-book to be accompanied by—, ...	131
Payment of over Rs. 5 to be supported by—, ...	131
to be taken for all payments, ...	131
Treatment of—, ...	131

Records—

of names of persons competent to manage vil- lage works, ...	15 (d)
of persons available for famine duty, ...	13—19

Registers—

Admission and attendance— of kitchens, ...	122 (b), 163 (b) (i)
Admission order,— of persons refused, ...	68
Allotments,— of, ...	247
Assignments—, ...	248

	Section.
Registers—continued.	
Attendance—of establishment on public works	133
Casual relief—	156 (b)
Dead stock—	153 (b) (iii) & vi, 317
Death—, Examination of,	55 (d), 214 (c)
Diet—	132, 153 (b) (ii), 220 (c)
Establishment—	302
Famine expenditure—	268
Grain dealers, — of advances to,	316 (c)
Gratuities relief, Preliminary — of,	28
Gratuities relief —, Preparation and check of,	39, 55 (c)
Indirect famine charges,—of,	249
In-patients and out-patients,—of,	220 (a)
Orphans,— of,	182 (d)
Persons refused admission orders,—of,	68 (e)
Stock — of poor-houses	132, 153 (b) (iii), 169, 170, 220 (d)
Village gratuities relief—	147
Village relief —, Village officers to enter persons into,	53 (b)
Village works—	140
Work and wages, Daily — of, on village works	140 (b)
Works—	293
Registration of—	
Births and deaths on relief works and in poor-houses	234
Relief Circles—	
Division of talukas into—	54
Fixing of head-quarters for—	54
Formation of—	54
Organization of—	28
Relief Mamlatdar—	
Appointment of—	57
Circle Inspector to be under the—	51
Duties of—	58, 155
Permanent advances to—	250 (b)
Prices of grain, Fixing of, for village dole by—	58, 155
Submission of diaries to Sub-divisional Officers by—	58
Subordination of — to Special Relief Officer.	58
Relief of artisans—	
Rules for the —	191—198
Relief works—	
Aboriginal tribes on—	184
Admission to—	66—71
Artizans, Employment of, on light —	197—198
Births and deaths on —, Registration of,	234
Classification of—	10
Closing of—, Allowance on,	172
Closure of—	174
Compensation for lands acquired for — to be treated as an indirect charge	294 (d)
Dasturi on—	72
Deserted children to be sent to —	179
Drafting on —	86—87
Flies on —	App. IV 40—46
General rules applicable to all —	62—57
Hutting accommodation on —	71, App. IV 26
Inspection book on—	49
Keeping open of — after the commencement of rains	173
Medical officers in charge of —, Duties of,	218, 219
Opening of —	65, 36 (b)
Order of undertaking—	64
Persons proceeding to —, Allowance to,	55
Plans and estimates for —, Passing of,	45 (a)
Poor-houses as res. houses for people proceeding to —	163
Programmes of—	9
Progress return of—	231 (c)
Rest-day on —	83—85

	Section.
Relief works—continued.	
Returning of people from—	171
Selection of—	63—65
Test works, Conversion of, into—	38 (a)
Wages and allowances on —	72—82
Relief workers (see Workers).	
Remission of land revenue—	
Recommendations for —	7 (d)
Reports—	
Accountant General's monthly—	248
Annual—of the Director of Agriculture	8 (e)
Crime, Special—of increase of,	22 (c)
General progress—	200 (a)
Government of India,—to,	231 (e), 17, 35 notes, 231
Gratuities relief is granted on a large scale,— to be submitted when,	35 note
Inspection—of village and taluka officers	22 (a)
Periodical — and returns	231
Police officers, Special — from,	200
Preliminary—	22 (d) (m), 34
Public Works general—	93
Rules for the preparation of — to Government of India	17, 231, App. II
Season and rainfall —, Publication of,	8 (e)
Weather —, Weekly,	7 (b)
Reserved forests (see Forests).	
Reserves of—	
Establishments	18—19
Funds	245 (a)
Tools	20
Rest-day—	
Allowance of—	84
Dispensing with — allowance	85
General rules for —	83—85
Sunday or market day to be the —	83
Wages, Payment of —,	84
Weekly persons,—allowance of,	84
Returns—	
Cash-balance —	128
Cheques not to be included in monthly—	288
Daily post-card —	93, 141 (a)
Death-rate —	206 (k)
District progress — of public works	93
Expenditure not debitable to famine, — of—	20
General report —	93
Hospital —	206 (l), 220
March — of expenditure	291
Periodical reports and —	231
Poor-houses —	169
Progress — of	231 (d)
gratuities relief	93
public works	231 (c)
relief works	141 (g)
village works	231 (b)
Rainfall and prices —	231 (a)
Season telegram —	24 (g)
Test works, Weekly — of,	292
Tools —	292
Rules for—	
Aboriginal tribes,—the relief of,	183—190
Accounts,—keeping of,	126—136, 275
Artizans,—the relief of,	191—198
Casual relief,—the Administration of,	156 (b)
Cattle,—the relief of,	22—230
Drafting,—	86—87
Management of,—	122
Kitchens	206—221
Medical relief	161—170
Poor-houses	App. VI
Public works	85—136, App. IV

Rules for—*continued.*

Management of, —, —*continued.*

Village gratuitous relief	145—160
Village works	137—144
App. V	
Medical Officers,—payment of salaries of,	299
Miscellaneous relief,—	231—242
Orphans,—the relief of,	178—182
Police,—the administration of relief by	199—205
Programmes,—the preparation of,	9—17
Railway projects,—the inclusion of, in programmes	11 (a), App. I
Relief works, General—all,	62—87
Reports for Government of India,—the preparation of,	App. II
Statistics,—the preparation of,	2
Tasks,—setting of,	105—110, App. IV
	54—69

S.

Salaries—	
Bills of—	256—258, 264 note 1, 266 note, 269
Classification of charges of—	294, note 1
Medical Officers,—of,	299
Military Officers,—of,	294 note iv
of office establishment not to go in cash book	255
Payment of—	258 (c)
not to be delayed	258 (b)
of officers from other Departments	308
of persons not in Government employ	258 (c)
Rules for the—	256—258

Sanitary Commissioner—

Appointment by—of	
medical officers to relief works and poor-houses	206 (b)
subordinate medical officers	217
Deputy-keeper of medicines, Civil Surgeon to be, under the orders of—	211 (b)
Deputy Sanitary Commissioner, Subordination of, to—	207
Disease, assistance of—on the outbreak of,	208 (g)
District requirements, Surgeon-General to be informed of, by—	208 (e)
Duties of—	206
Famine requirements, Medical Store-keeper to be informed of,—of,	212
Hospital diet, instruction by—about,	206 (f)
Management of relief as regards health of the people to be watched by—	208 (e)
Medical staff, Estimates for additional, to be made by—	30, 206(a)
Medical staff to be subordinate to—	206 (d)
Misconduct of medical subordinates to be dealt with by—	215
Mortality returns, scrutiny of, by—	206 (f)
Movements of—, Collector to be informed of the,	206 (m)
Powers of—over medical subordinates	215
Responsibility of—for relief measures in their sanitary aspect	208
Scales of medicines to be drawn up and fixed by—	206 (A)
Sick persons, Submission of monthly statement of, by—	206 (I)
Submission to—of	
agricultural and vital statistics	2
birth and death returns	5 (c)
death-rate statement	206 (k)
Transfer of medical officers to be communicated to—	216
Vaccination,—to arrange for,	206 (n)

Season Reports—

Publication of—	8 (c)
-----------------	-------

Small coins—

Accountant General to be informed of the want of—	311
Collection of—from local dealers	310

Small coins—*continued.*

Commission for—	314
Supply of—	App. IV
18—19	
Treasury officer informed of requirements of—	273 (a)

Special Relief Officer—

Accounts, Report by—on detection of fraud in,	55 (c)
Accounts, Supervision by—of village,	60 (a)
Appointment of—	59
Bills of expenditure on village works to—	141 (c)
Closing of village works by—	60 (c)
Diaries, Keeping and submission of, by—	60 (g)
Duties of—	59—60
Extension of the powers of—	59
Idle or disheartened poor, Paying of special attention to the, by—	60 (c)
Inspection by—of	
Hospitals	60 (b)
Poor-houses	60 (b)
Public-works	49, 60 (b)
Registers of births and deaths	60 (d)
Sanitation	60 (d)
Villages	60 (a & b)
Village works	60 (b)
Water-supply	60 (d)
Migration, Report about, by—	60 (d)
Opening of village works by—	60 (c)
Permanent advances to—	250 (b)
Prices of grain for dole, Supervision by—over fixing of,	155 (f)
Subordination to—of	
Circle Inspectors	51
Poor-house superintendents	168
Relief Mamlatdars	58
Village servants, Recommendation of, for relief by—	60 (f)

Stationery—

Local purchase of—	306
--------------------	-----

Statistical Atlas—

Preparation of—	8 (g)
-----------------	-------

Statistics—

Agricultural and vital—, Preparation of,	2
Circle Inspector to collate—	4 (f)
Rules for the preparation of—	2
Submission of agricultural—	
through the Collectors	2
to the Director of Agriculture	2
to the Sanitary Commissioner	2

Storekeepers—

Duties of—	App. IV 9, App. VI 4
------------	----------------------

Sub-divisional Officer—

Account office of— to be strengthened	277, 278
Accounts of famine expenditure of—	274, 277
Administration and organization of relief by the—	48
Appointments, Delegation of powers of, to—	300
Audit of accounts by—	269, 282, 283
Auditor to be appointed under—	263 (c)
Charge, Equipment of, by—	App. IV
	16—17
Duties and powers of the—	6, 48, 61, 269
Funds to be provided for—	273
Inspection of public works by—	49
Inspection reports of—	49
Inspection reports, Verification of, by—	22 (a)
Investing of— with summary magisterial powers	61
Passes for grass to be signed by—	228 (d)
Public Works Department—, Duties of	App. IV
	13—14
Register of famine accounts to be submitted by—	269 (a)
Register of works by—	293

Section.	Section.
Sub-divisional Officer—continued.	Surgeon-General—
Relieving of—from the pressure of magisterial duties 61	Additional medical assistance to be applied for from Government by— 209
Standard rate of work to be reported by— 136	Appointments, Power of—to make 300
Submission to— of	Duties of— 208—209
Bills of expenditure 141 (c)	Lists of qualified candidates to be maintained by— 208 (a)
Daily post card on public works 93	Medical establishment to be supplied by— 208—209
Diaries of Circle Inspectors 5 (b)	Medical officers, Employment of temporary, by— 200
Diaries of Relief Mámátdár 58	Medical Officers, Orders of appointment of, to— 299
Progress return on public works 93	Medical officers to be requisitioned from— by the Collector 210 (a)
Submission to— of	Medical requirements of districts, Sanitary Commissioner to inform— of, 206 (c)
Rainfall returns 5 (e)	Medical staff, Submission of estimates of additional, to— 20 (a)
Statement of orphans 182 (d)	Misconduct of Medical subordinates, Action by the Sanitary Commissioner in regard, to be reported to— 215
Vouchers 276	
Subordination of— to Collector 49	T.
Subordination to— of	Tables—
Charge Officer 88	Public Works— App. IV
Special Relief Officer 59	Village Works— App. V
Supervision over fixing of prices for grain dole by— 155 (f)	Wage— App. III
Tools returns, Submission of by— 292	
Village relief establishment to be under the— 51	Takavi—
	Accounts of— advances 293
Subordinate Judges—	Advances under the— Acts 238, 208
Investiture of— with first class magisterial power 61	Collector to apply for special allotments for— advances 238 (a)
	Disbursement of— advances, Special arrangements for, 238 (c)
Sunday (see Rest-day).	Grass to be given to cultivators as— 238 (f)
	Liberal advances of— at an early stage 238 (b)
Superintendent—	Seed and cattle, — advances for, to be paid in cash 238 (c)
Kitchen—, Village,	Subsistence— advances to cultivators 238 (d)
Appointment of— 153 (e)	
Attendance register to be kept by— 153 (b) (i)	Taluka returns—
Diet register to be kept by— 153 (b) (i)	Preparation of— by Circle Inspectors 4 (f)
Duties of— 153	Submission of birth and death— by Mámátdárs 5 (c)
Food supplies, Supervision of, by— 153 (f)	
Permanent advance to— 153 (b), 250 (b)	Tasking of—
Kitchen—, Works,	Gangs 108
Diet register to be kept by— 132	New-comers 109
Subordination of— to Charge Officer 122 (a)	Weakly gangs 110
Subordination of mess-káákuns to— 122 (d)	
Police, District— of,	Tasks—
Corpses, — to see to the disposal of, 205	Aboriginal hill tribes, — for, 187 (b)
Deaths, — to report to Collector about roadsides, 205	Adjustment of— 107
Duties of— 199—205	Carriers and diggers, — of, 108
Establishments, Application for, by— 31, 199	Margin of five per cent. in calculating— 111
Patrol, Organisation of system of, by— 201	Marking out of— in advance 116 (a)
Permanent advance to— 202, 250 (b)	Modification of— to suit the soil 2
Protection of trade, Precautions to be taken by— for, 204	New-comers, — for, 101
Reports of police officers to— 200	Nursing mothers, — for, 108
Reports to Collector by— 200	Raising of— at the commencement of rains 172
	Setting of—, Rules for the, 105—110, App. IV 54e
Poor-house—	Standard— 105
Appointment of— 168, App. VI 2	Systems of work and— App. IV 54—59
Permanent advance to— 250 (b)	Tables of— App. IV
Rations, Special, to inmates to be given by— 164	Tenth of full task, Calculation of— to the, 111
Subordination of— to Special Relief Officer 168	Test works, — on, 24 (d)
Public works camp—	Variation of— 106
Duties of— App. IV 8	Village works, — on, 139 (b)
	Weavers on works, — of, 197
Superintending Engineer—	
Appointments, Power of the— to make, 300	
Delegation of certain powers to— 315	
District progress returns to be scrutinized by— 45 (f)	
District progress returns to be submitted by Executive Engineer to— 93	
Plans and estimates of works, Passing of, by— 45 (a)	
Powers and duties of the— 45	
Programmes, Scrutinizing of, by the— 14—15	
Responsibility of— for the proper conduct of public works officers 45	
Supervision of— over public works officers 45	

	Section.
Test works--	
Conditions of labour on —	24 (b)
Cooked food to women and children on —	24 (f)
Dependants on —	24 (e)
Local Board-works to be utilized as —	24 (a)
Management of —	24
Musters rolls on —	24 (e)
Opening of —	23 (a), 25
Relief works, Conversion of—into,	38 (a)
Tasks on —	24 (d)
Wages on —	24 (c)
Weekly return of—	24 (g)
Tickets--	
Gratuitous relief —	149 (d), 150 (b)
Works, Admission — on,	68
Tools--	
Hutting materials, — for cutting, in forests,	236 (e)
Public works, Arrangements for — on,	App. IV 77
Requirements of —, Special attention to,	45 (e)
Reserves of —	20
Smiths and carpenters, — for	App. IV 10
Village works, Arrangements for — on,	App. V 11
Trade, Private--	
Attitude towards —	240
Facility to be given to —	240 (a)
Interference with —	240 (b, c & e)
Protection of —	204
Travelling allowance--	
Bills for —	256, 264 note 1, 266 note
Debit of charges for —	294
Officers on famine duty,—to	309
Payment of —	133
Travelling auditors (see Auditors).	
Treasury Officer--	
Bills, Treatment of, by —	263, 267
Establishments bills, Treatment of, by—	304
Estimates of cash requirements by —	246
Funds, notice of demand of, to—	273
Medical officers' bills, Payment of, by—	299 (e)
Permanent advances, — to make —	261 (b)
Register of famine expenditure, — to examine	268
U.	
Urgent cases--	
Expenditure to be incurred in —	131, 243, 267
Funds to be sanctioned by Local Government in —	27
Grants to be sanctioned by Government in —	202, 232
Immediate relief in —	306
Printing locally in —	202
Relief by Police in —	306
Stationery, Purchase of, in —	64
Works to be opened by Collector in —	64
V.	
Valedictory dole--	
Gratuitous relief, Grant of — on the stopping of,	176
Poor-houses, Grant of — on the closure of,	167
Village Accountant--	
Additional remuneration to —	159
Dole of sick recipients to be received by —	149 (e)
Duties of —	3

	Section.
Village Accountant--continued.	
Grain dole distribution in presence of —	149 (b)
Inspection of lands and crops by —	3
Report to Circle Inspector on the existence or prospects of distress, &c, by —	5
Supervision of the work of —	5 (a)
Village gratuitous relief (see also Gra- tuitous relief)--	
Able-bodied, — to the,	172
Administration and selection for —	39
Children of workers, — to,	172
Control —, Circle Inspector to,	55 (b)
Detailed bill of —	149 (f), 150 (d)
Distribution of--	
by grain dole,	149
Commencement of	38 (c)
in kitchens	152
on works kitchens	121
Municipalities to assist in the —	160
Rules for the —	145—160
Strictness in the —	145
to begin as soon as works are opened	145
Dole distribution list, —,	149 (c) 150 (b)
Extension of — in the rains	145
Forms of —	148
Ledger for —	156 (a) (ii)
Machinery for the distribution of —	51 (b)
Non-official agency, Employment of, for—	145
Persons eligible for —	146
Persons given allowance for proceeding to re- lief works to be shown on — list	56
Persons on — to go to kitchens	152
Register, —	39
Completion and checking of —	120
Dependants to be brought on —	28
Drawing up of —	147
Preparation and maintenance of —	53 (b)
Village officers to enter persons in —	148
Scale of allowances of —	146—147
Selection and admission to —	149 (d), 150 (b)
Ticket, —,	157
to women delivered of a child	39
Training of Circle Inspectors in selection for —	172
Weakly people, Bringing of, on the — list	172
Village inspection--	
Aboriginal hill tribes, for,	196, 189
Circle Inspector to conduct —	4 (a), 65
Collector to direct —	51
Objects of —	22 (b), 28, 51
Organization of —	171
Rains, Active — during,	60 (a)
Special Relief Officer to move about actively in —	60 (a)
Village kitchens (see Kitchens).	
Village Officers--	
Additional remuneration to —	23 (e), 159
Admission order to be given by —	53 (a), 68 (a)
Agricultural and vital statistics, Preparation of, by —	2
Births and deaths on relief works and poor houses, Registration by — of,	284
Cash dole, Distribution of, by —	150 (b)
Discovery of cases of destitution by —	3
Distress, — to report existence of,	149 (c)
Dole list to be prepared by —	53
Duties of —	22 (h)
Famine duty, Instruction of — in their,	55 (c)
Gratuitous relief, Instruction of — in the distribution of,	22 (a)
Inspection reports of —	214 (e)
Medicines, Supply of, to —	150 (d), 250 (b)
Permanent advances to —	150 (d), 250 (b)

	Section.
Village Officers—continued.	
Presence of— during famine	63
Starving persons to be handed over to — ...	203
Starving wanderers to be given admission to poor-houses by —	53 (c)
Village gratuitous relief register, Entering of person in the, by —	58 (b)
Village relief register, Preparation of, by —	147
Villages—	
Cooked food, Sending of, to —	152
Funds, Supply of, to—	313
Grouping of— for programmes	15 (a)
Inspection of —	51-61, 214 (b)
Village servants—	
Relief of— before declaration of famine ...	23 (c)
Rules regarding the relief of—	158
Village works—	
Aboriginal tribes, Scale of wages on— for, ..	188
Aboriginal tribes, System on— for,	187
Accounts, —,	142
Admission order to include all members of a family on —	68 (b)
Admission to —	67, 69, 189 (a)
Advances for —	298 (b)
Bills of— expenditure	140 (c) & 141 (c)
Cash book on—	140 (d), 318
Classification of —	10
Closing of —	60 (c)
Control of Collector on —,	137
Dependants on —	139 (f)
Epidemics, — to be opened on the outbreak of,	63
Establishments for —	App. V 12
Expenditure on —	298
Expulsion from —	70
Ganger, Wages of, on —	139 (d)
Inspection of—	144, App. V 13-14
Inspector of —	143
Appointment of—	App. V 14
Duties of—	App. V 13
Instructions to managers of—	166 (a) iv
Manager of—	137-144, App. V
by Central Committee	22 (i)
by non-official agency	137
Circle Inspectors to help in—	55 (e)
Rules for the—	137-144, App. V
System of—	138-142
Manager of— Power of expulsion of, Master-roll on—	70 140 (a)
Opening of— by Special Relief Officer ...	60 (c)
Order of opening—	64
Permanent advance to managers of— ...	142 (a), 250 (b)
Post-card on—	141 (a)
Programmes of—	15
Progress returns of—	141 (b)
Public works, Preference of— to,	11 (b)
Record of persons for management of— ...	15 (d)
Registers to be kept by— manager	140
Reserve of—	63
Selection for admission to —	68, 69
Sub-divisional Officer to pay special attention to—	48
Survey of—, Professional assistance for the, ..	15 (c)
System on— to be the same as that on public works	138
Tasks on—	139 (b), App. V 1
Test works, Management of, as—	21
Tools for—	App. V. 11
Transfer of— to Public Works Department ...	137
Wages on—	75, 139 (e & e) (e-f)
Work, System of, on—	App. V 2-10

	Section.
Village works Inspector—	
Appointment of—	143
Duties of—	App IV 14
Subordination of— to the Collector	143
Vouchers—	
Audit, — for	276
Bills and—	266, 318
Bills to be accepted as—	156 (b), 318
Casual relief—	318
List of—	168 (l)
Village kitchens—	142 (b), 318
Village works—	308
Errors in —, Disregarding of,	807 (e)
Language of—, Objection to the,	807
Preparation of—	807
Receipts for payments exceeding Re. 5 to ac- company copy of cash book as—	131
Receipts of persons sent to poor-houses or works by the police to be— for expenditure incurred on them	203
Verification of entries in cash with— ...	127

W.

Wages—	
Aboriginal tribes,—and allowances of, ...	188
Absent persons,— of,	115 (e & d)
Children in arms of workers, Cash— for, ...	79, 139 (f)
Daily register of— on village works	140 (4)
Dependants— to	81
emaciated persons	80
mothers giving birth on work	76
Deviation from the scale of—	180, App. IV 72
Disbursement of—	130
Rules for—	129
to be made after proper calculation	130
to mustering karkans	267
Where measurements are not completed ...	78
Drawing of— of employees on daily— ...	98, 139 (d)
Fuel,— to cover cost of,	115 (b), 129
Gangers—	118
Gang's— to be made up in separate bags ...	103
Minimum— in certain cases	111
Nursing mothers,— of,	114, 139 (e)
Payment of—	77
by results	111
daily	111
in cash	134
in full	134
in grain to aboriginal tribes	111
in small coins	115
Mode of—	115
on rest days	119 (e), App. V 6
on village works	111-117
Rules for— on public works	187 (c)
to aboriginal tribes	134
to hospital attendants	134
to kitchen attendants	111
to the tenth of full wage	119
to weakly persons	App. V 8
Principles of famine—	72
Ready reckoner for calculating cash— ...	77, 111
Receipts for all payments to be taken except for—	131
Relief works,— and allowances on,	72-82
Scale of—	73
Table of— on village works	App. V
Test works,— on,	24 (c)
Unpaid— Payment of	282 note 2
Village works, Reduction of— on,	75
Vouchers for—	276
Wanderers, Destitute,—	
Admission order to poor-houses to— ...	53 (c)
Food for journey to—	53 (c)
Police report about—	200 (b)
Sending of— to poor-houses	161, 208
Treatment of— by the police	23 (c), 203

	Section.
Water-supply—	
Disinfection of—	App. IV 24
Funds, Allotment of, for improvement of—	239
Inspection of—arrangements	214 (d)
Measures to prevent waste of—	App. VIII
Permanganate of potash for disinfection of—	App. VII
Poor-house—	App. VI 11
Projects of—	11
Relief works camps, Drinking— for,	90,
	App. IV 20—25
Report on the failure of—	8
Scarcity of—, Steps to meet,	29
Weakly persons—	
Allowances of—	84, 112
Drafting of—to their homes at the com-	
mencement of rains	172
Payment of wages to—	112
Tasking of—	110
Weavers—	
Admission to special relief of—	192
Audit of accounts of special relief to—	198
Charitable associations, Assistance of, in grant	
of relief to—	194
Cloth manufactured in the administration of	
relief to—, Disposal of,	195
Conditions entitling—to special relief	191
Employment of—on other work in default	
of special relief	197
Gangs of—, Special,	198
Loans for relief of—	193
Mode of administering relief to—	195
Municipalities to manage relief of—	193
Organization of relief for—	192
Purchase of cloth manufactured by—	194
Relief to artisans other than—	193
Relief to—	191
Work—	
Dependants,—for,	124
Hours of—	App. IV
	75
Poor-house inmates,—for,	166
System of—on	
metal breaking	App. IV
	63—69
	App. V 10
muru collection	App. IV
	61—63
roads	App. IV
	55—56
	App. V 9
tasks	App. IV
	57—60,
	App. V
	2—8
Work agents—	
Duties of—	App. IV
	4—5
Workers—	
Able-bodied—should not be given gratuitous	
relief in rains	172
Admission to relief works of—	94
Allowances of—	
giving births on works	80
leaving work	172
on days on which work is suspended	82
on rest-days	84
proceeding to works...	56
Wages and—	72—83
Charge, Number of—in a,	96

	Section.
Workers—continued.	
Children in arms of—, Accommodation	
for, ...	App. IV
	76
Children of—	
Allowances of—	79, 139 (f)
Gratuitous relief to—	173
Classification of—	95
Dasturi from—	72
Dependants of—	118
Drafting of—	86—87
Fuel, Supply of,—	78
Gang, Number of—in a,	98
Hutting accommodation for—	71
Menials to be selected from—	95, 122 (e)
Minimum (dependants) wage to—in certain	
cases	113
Nurses to be selected from female—	122 (e)
Payment by results of—	111
Raising of the tasks of able-bodied—	172
Tasks for—	105
Wage scale for—	73
Wages of absent—	115 (c & d)
Wages, Payment of, to—	115
Works—	
Aboriginal hill tribes, Management of—for,	187 (a)
Admission to—	66—71, 94
Births on—	80
Burial ground on—	App. IV 29
Charges on—	10, 96
Classification of—	10, 63
Closure of—	174
Completion of—, Report about,	65
Dasturi, Prevention of, on—	72
Dependants and kitchens on—	118—124
Epidemics, Arrangements on—in case of,	App. IV
	30—32
Establishment,—	62
Expenditure on,—, Debt of	296 to 298
Expulsion from—	70
Grouping of villages for—	15 (a)
Hospital accommodation on—	App. IV
	33—38
Hutting accommodation on—	71,
	App. IV 26
Kitchens on—	122
Latrines on—	91,
	App. IV 2
Local Board,—to be utilized as test works	24 (a)
Markets on—	92,
	App. IV 39
Menials on—	95
Opening of—	38 (b), 65
Order of undertaking—	64
Ordinary rates,—to be carried out at,	237
Persons for whom there is no room on—	97
Preference to—for the employment of persons	
in their own trade	198
Programmes, Selection of—for,	11 (a—c)
Progress return of—	93
Public—	
Classification of—	10
Management of—	88—136
	App. IV
Register of—	293
Residence on—	71
Rest-day on—	83—85
Selection of—	45, 63—65
Sites for—camps	90
Tasks and systems of—	105—110,
	App. IV
	54—59
Treatment of emaciated persons on—	81
Village—	
Classification of—	10
Management of—	137—144,
	App. V
Wages and allowances on—	7—82
Wages, Deviation from the scale of, on—	73
Wages, Payment of unpaid, on—	282 note 2